

T265NHEU

Parts Catalog

목 차

1. 엔진 PART NO. EG

| | |
|---------------------------------------|----|
| FIG 101 CYLINDER BLOCK | 7 |
| FIG 102 OIL PAN | 9 |
| FIG 103 CYLINDER HEAD | 11 |
| FIG 104 GEAR CASE | 13 |
| FIG 105 HEAD COVERT | 15 |
| FIG 106 OIL FILTER | 17 |
| FIG 107 OIL GAUGE | 19 |
| FIG 108 MAIN BEARING CASE | 21 |
| FIG 109 CAM SHAFT & IDLE SHAFT | 23 |
| FIG 110 PISTON & CRANK SHAFT | 25 |
| FIG 111 FLYWHEEL | 27 |
| FIG 112 FUEL CAM SHAFT&GOVERNOR SHAFT | 29 |
| FIG 113 IDLE APPARATUS | 31 |
| FIG 114 CONNECTING-ROD | 33 |
| FIG 115 GOVERNOR | 35 |
| FIG 116 SPEED CONTROL PLATE | 37 |
| FIG 117 INJECTOR & GLOW PLUG | 39 |
| FIG 118 WATER PUMP FLANGE&THERMOSTAT | 41 |
| FIG 119 WATER PUMP | 43 |
| FIG 120 ROCKER ARM | 45 |
| FIG 121 INTAKE MANIFOLD | 47 |
| FIG 122 EXHAUST MANIFOLD | 49 |
| FIG 123 STOP SOLENOID | 51 |
| FIG 124 ALTERNATOR & PULLY | 53 |
| FIG 125 STARTING MOTOR | 55 |
| FIG 126 EXHAUST SILENCER | 57 |
| FIG 127 COOLING PAN | 59 |
| FIG 128 OIL PRESSURE SWITCH | 61 |
| FIG 129 DATA PLATE | 63 |
| FIG 130 WATER PIPE | 65 |
| FIG 131 WATER PIPE | 67 |

2. 엔진보기품 PART NO. T2

| | |
|-------------------------------|----|
| FIG 201 AIR CLEANER | 70 |
| FIG 202 RADIATOR | 72 |
| FIG 203 MUFFLER | 74 |
| FIG 204 FUEL TANK & FUEL LINE | 76 |
| FIG 205 ACCELERATOR | 78 |
| FIG 206 OIL COOLER | 80 |

3. 클러치/브레이크/스티어링 PART NO. T3

| | |
|-------------------------------------|-----|
| FIG 301 FLYWHEEL COVER | 83 |
| FIG 302 SPEED CONTROL | 85 |
| FIG 303 BRAKE | 88 |
| FIG 304 BRAKE PEDAL & LINKAGE | 90 |
| FIG 305 STEERING WHEEL & DASH COVER | 92 |
| FIG 306 STEERING VALVE | 94 |
| FIG 307 STEERING CYLINDER | 96 |
| FIG 308 FRONT WHEEL | 98 |
| FIG 309 REAR WHEEL | 100 |

4. 트랜스미션 PART NO. T4

| | |
|--------------------------------|-----|
| FIG 401 INPUT SHAFT | 103 |
| FIG 402 HST | 105 |
| FIG 404 4WD DRIVE GEAR | 107 |
| FIG 405 RANGE GEARS | 109 |
| FIG 406 P.T.O DRIVE SHAFT | 111 |
| FIG 407 P.T.O SHAFT | 113 |
| FIG 408 MID P.T.O GEARS | 115 |
| FIG 409 DIFF LOCK | 117 |
| FIG 410 REAR TRANSMISSION CASE | 119 |
| FIG 411 REAR AXLE HOUSINGS | 121 |
| FIG 413 RANGE SHIFT LEVER | 123 |
| FIG 414 P.T.O CHANGE LEVER | 125 |
| FIG 415 4WD CHANGE LEVER | 127 |

5. 프런트 액슬 PART NO. T5

| | |
|---------------|-----|
| FIG 501 FRAME | 130 |
|---------------|-----|

| | |
|------------------------------------------|-----|
| FIG 502 FRONT DIFFERENTIAL GEARS & SHAFT | 132 |
| FIG 503 FRONT AXLE HOUSING | 134 |
| FIG 504 FRONT GEAR CASE (1) | 136 |
| FIG 505 FRONT GEAR CASE (2) | 138 |

6. 유압/3점 링크 PART NO. T6

| | |
|--------------------------------|-----|
| FIG 601 CYLINDER CASE | 141 |
| FIG 602 LIFT ARM | 143 |
| FIG 603 FLOW CONTROL VALVE | 145 |
| FIG 604 CONTROL VALVE LINKAGE | 147 |
| FIG 605 MAIN CONTROL VALVE | 149 |
| FIG 606 REMOTE CONTROL VALVE | 151 |
| FIG 607 POSITION LEVER LINKAGE | 153 |
| FIG 608 GEAR PUMP | 155 |
| FIG 609 HYDRAULIC HOSE (1) | 157 |
| FIG 610 HYDRAULIC HOSE (2) | 159 |
| FIG 611 PTO VALVE | 161 |
| FIG 612 3-POINT LINKAGE | 163 |
| FIG 613 JOYSTICK LEVER | 166 |
| FIG 614 HITCH & COVER | 168 |

7. 시트메탈/캐빈 PART NO. T7

| | |
|--------------------|-----|
| FIG 701 BONNET | 171 |
| FIG 701-2 BONNET | 173 |
| FIG 702 DASH PANEL | 175 |
| FIG 703 FLOOR | 177 |
| FIG 704 SEAT | 179 |
| FIG 705 ROPS | 181 |

8. 전장 PART NO. T8

| | |
|----------------------------|-----|
| FIG 801 BATTERY & MOUNTING | 184 |
| FIG 802 LIGHTS | 186 |
| FIG 803 INSTRUMENT PANEL | 188 |
| FIG 804 ELECTRIC SYSTEM | 190 |
| FIG 805 HARNESS | 192 |

9. 라벨/옵션 PART NO. T9

FIG 901 TOOL & ACCESSORY

195

FIG 902 WEIGHT

197

PARTS SUGGESTED LIST

| PART NUMBER | DESCRIPTION | QTY for EACH TRACTOR |
|--------------|-----------------------|----------------------|
| EA00003786C | OIL FILTER | 1 |
| HK13010022A2 | FUEL FILTER ELEMENT | 1 |
| 11201032020 | ELEMENT | 1 |
| 16705105000 | FILTER ASSY , SUCTION | 1 |
| 13152302100 | FILTER COMP , HST | 1 |
| 16322732000 | SEAL ASSY , OIL | 1 |
| 13154130151 | SEAL , OIL | 2 |
| V4011600160 | WASHER , SPRING | 17 |
| 13153240031 | SEAL , SHAFT | 4 |
| V4011600140 | WASHER , SPRING | 30 |
| V2173608025 | BOLT , HEX/S | 29 |
| V2014616030 | BOLT , HEX | 8 |
| V7041400250 | C-RING , SHAFT | 4 |
| V2173608020 | BOLT , HEX/S | 43 |
| 17686641110 | RELAY , PREHEAT | 2 |
| V2183608020 | BOLT , HEX/SP | 14 |
| V6001106210 | BEARING , BALL | 1 |
| V7441254708 | SEAL , OIL/D | 1 |
| V4011600120 | WASHER , SPRING | 19 |
| V4111600160 | WASHER , PLAIN | 4 |
| V2123606016 | BOLT , HEX /SP | 2 |
| V2183608025 | BOLT , HEX/SP | 12 |
| V4011600100 | WASHER , SPRING | 9 |
| 13154130160 | CAP , 55 | 2 |
| V2173612030 | BOLT , HEX/S | 12 |
| V3043600100 | NUT , HEX/2 | 4 |
| V7051400620 | C-RING , HOLE | 4 |
| 13153285001 | SWITCH ASSY , BRAKE | 1 |
| V3501600060 | NUT, PUSH-ON SPRING | 18 |
| 17686040020 | RIVET SET , black | 2 |
| V3802600060 | NUT , HEX FLANGE | 2 |
| V7041400200 | C-RING , SHAFT | 6 |
| 21615250020 | GRIP , LEVER/RED | 1 |
| V4111600100 | WASHER , PLAIN | 7 |
| V7201024010 | O-RING , P | 2 |
| V3043600160 | NUT , HEX/2 | 12 |
| V4111600120 | WASHER , PLAIN | 4 |
| V7201019009 | O-RING , P | 2 |
| V7041400400 | C-RING , SHAFT | 3 |
| V5502040093 | RIVET , BLIND | 4 |
| 13154130170 | O-RING , S210 | 2 |
| 14722310033 | SPRING , RETURN | 1 |
| 11201032000 | AIR CLEANER ASSY | 1 |
| V4111600080 | WASHER , PLAIN | 18 |
| V7051400420 | C-RING , HOLE | 1 |
| V6001106207 | BEARING , BALL | 5 |
| V3002600060 | NUT , HEX/1 | 4 |
| 13059310030 | PIN | 2 |
| V4011600060 | WASHER , SPRING | 1 |
| V4111600140 | WASHER , PLAIN | 2 |

PART NUMBER

DESCRIPTION

QTY for EACH TRACTOR

| | | |
|---------------|---------------------------|----|
| V7231020095 | O-RING , S | 2 |
| V3043600120 | NUT , HEX/2 | 14 |
| 16999052300 | PUMP ASSY , FUEL PUMP | 1 |
| 14443140080 | SEAL , 62 | 1 |
| 11103062000 | GAUGE ASSY , OIL LEVEL | 1 |
| V6001106006 | BEARING , BALL | 4 |
| V4011600080 | WASHER , SPRING | 4 |
| 79636130050 | PIN , 16X60 | 2 |
| V2173608016 | BOLT , HEX/S | 3 |
| V3043600140 | NUT , HEX/2 | 4 |
| V7441204208 | SEAL , OIL/D | 1 |
| V6001106007 | BEARING , BALL | 3 |
| 12009100190 | LABEL , WARNING BELT | 1 |
| V2173608035 | BOLT , HEX/S | 3 |
| V7441354808 | SEAL , OIL/D | 2 |
| V4111600060 | WASHER , PLAIN | 10 |
| 15965120021 | LINING , 11X30X03 | 2 |
| 13182102100GB | SHAFT ASSY, DRIVE | 1 |
| 14211340190 | COUPLING | 3 |
| V5201010022 | PIN , PARALLEL/A | 12 |
| 12009100240 | LABEL , CAUTION MUFFLER | 1 |
| V7051400800 | C-RING , HOLE | 2 |
| 35605033020 | WASHER , WIRE WITHDRAWAL | 2 |
| 12009100130 | LABEL , DANGER PTO | 1 |
| 12009100020 | LABEL , WARNING PARKING | 1 |
| 12009100030 | LABEL , WARNING EXHAUST | 1 |
| V7041400300 | C-RING , SHAFT | 4 |
| 12009100120 | LABEL , CAUTION FAN | 2 |
| V6802000010 | BALL , STEEL | 3 |
| V7201024016 | O-RING , P | 3 |
| 12009100140 | LABEL , WARNING DRAW | 1 |
| V2193606016 | BOLT , HEX/SPL | 8 |
| 12009100230 | LABEL , CAUTION OPERATION | 1 |
| 13184070010 | RUBBER , MOUNTING | 4 |
| 12009100060 | LABEL , WARNING DIFF | 1 |
| 18027090320 | BAND CLAMP 32 EMBO TYPE | 3 |
| 17689100170 | LABEL , CAUTION SAFETY | 1 |
| 13151120061 | BOLT , BATTERY SET | 2 |
| 14721062003 | COOLER COMP , OIL | 1 |
| 12009100050 | LABEL , WARNING FIRE | 1 |
| V2173610025 | BOLT , HEX/S | 24 |
| 12009100210 | LABEL , WARNING THROTTLE | 1 |
| 17681170050 | GRIP , REVERSE | 1 |
| 13154055204 | JOINT SET , BALL | 2 |
| V2013614030 | BOLT , HEX | 4 |
| V6321133005 | BEARING , TAPER-ROLLER | 2 |
| V6001106204 | BEARING , BALL | 1 |
| 16507027500 | PIN COMP , FIXED | 2 |
| V7051400950 | C-RING , HOLE | 1 |
| V3043600080 | NUT , HEX/2 | 4 |

PART NUMBER

DESCRIPTION

QTY for EACH TRACTOR

| | | |
|-------------|--------------------------------|----|
| 13155202501 | CHAIN ASSY , CHECK | 2 |
| V7041400350 | C-RING , SHAFT | 7 |
| V5001920015 | PIN , SPLIT | 9 |
| V7211031065 | O-RING , G | 1 |
| 16995304000 | UNION , O-RING | 5 |
| V7051400470 | C-RING , HOLE | 2 |
| 13022250030 | SPRING , SHIFTER | 3 |
| V6001106306 | BEARING , BALL | 2 |
| V3042600080 | NUT , HEX/2 | 11 |
| 79642010080 | SHIM , B | 2 |
| 13276642201 | SWITCH , COMBI | 1 |
| 19027210060 | NUT , NYLON , M6 | 1 |
| 12209045051 | LABEL , ROPS WARNING/REMODELIN | 1 |
| 14215020020 | PIN , LINK | 6 |
| V6001106305 | BEARING , BALL | 3 |
| V2183608060 | BOLT , HEX/SP | 4 |
| V2183608030 | BOLT , HEX/SP | 4 |
| 15645220011 | PIN , 19X86 | 1 |
| V3802600080 | NUT , HEX FLANGE | 10 |
| 13267028202 | SOCKET ASSY , TRAILER | 1 |
| 12009100160 | LABEL , DANGER RIDING | 1 |
| 13154112120 | COLLAR | 1 |
| 17995070270 | BUSH , 16X18X33 | 2 |
| V5001920020 | PIN , SPLIT | 2 |
| V2183608016 | BOLT , HEX/SP | 12 |
| V2173608070 | BOLT , HEX/S | 3 |
| 12009100150 | LABEL , WARNING RADIATOR | 1 |
| 79636110030 | PIN , 12X48 | 2 |
| V5001925020 | PIN D2.5x20 | 9 |
| 15645220020 | PIN , 19X95 | 1 |
| 12009100040 | LABEL , WARNING STOP VALVE | 1 |
| V5801406032 | PIN , SPRING | 5 |
| V3013600100 | NUT .HEX NORMAL /2 | 1 |
| V7051400680 | C-RING , HOLE | 2 |
| 13152401021 | GASKET(MID PTO) | 1 |
| V7201057070 | O-RING , P | 1 |
| 17699100090 | LABEL , WARNING JOYSTICK | 1 |
| 15186213200 | SWITCH ASSY , STOP LIGHT | 1 |
| V5601600008 | PIN , SNAP | 2 |
| 12147078721 | KEY SET | 1 |
| V6001106205 | BEARING , BALL | 1 |
| 17699100100 | LABEL , WARNING JOYSTICK | 1 |
| V5201010020 | PIN , PARALLEL/A | 3 |
| 14322420010 | PIN | 2 |
| V6001106008 | BEARING , BALL | 2 |
| V7051400550 | C-RING , HOLE | 2 |
| V7051400720 | C-RING , HOLE | 1 |
| 13152312400 | DAMPER , OIL | 1 |
| V2173612040 | BOLT , HEX/S | 2 |
| V5801405036 | PIN , SPRING | 2 |

PART NUMBER

DESCRIPTION

QTY for EACH TRACTOR

| | | |
|--------------|-------------------------|----|
| V2113606012 | BOLT , HEX /S | 1 |
| 15601320073 | NUT , HEX LH | 2 |
| V3042600100 | NUT , HEX/2 | 2 |
| 15603200010 | BOLT , STUD M16X30 | 4 |
| 14726071101 | GRIP COMP | 1 |
| 13155020027M | CRANK , LIFT | 1 |
| 13155202511 | TURNBUCKLE | 2 |
| 14046210300 | GROMMET | 8 |
| 14729040130 | LABEL , CAUTION PARKING | 1 |
| 13151043000 | RADIATOR COMP | 1 |
| V7201024014 | O-RING , P | 1 |
| V7081400120 | E-RING | 1 |
| V2173612035 | BOLT , HEX/S | 18 |
| V2173610035 | BOLT , HEX/S | 26 |
| 16506010140 | SPONGE | 1 |
| V2183610035 | BOLT , HEX/SP | 1 |
| V6001106005 | BEARING , BALL | 3 |
| V7081400060 | E-RING | 8 |
| 13155150021 | HOSE , SUCTION | 1 |
| V7201024020 | O-RING , P | 1 |
| V4111600200 | WASHER , PLAIN | 1 |
| 14445140051 | PIN , 19 | 3 |
| V7211031055 | O-RING , G | 1 |
| V1112606040 | SCREW , C/R PAN | 1 |
| 12009100070 | LABEL , WARNING BRAKE | 1 |
| V2323606016 | BOLT , C/R HEX/SP | 4 |
| 14721120090 | GRIP , HOOD LOCK | 1 |
| V7081400100 | E-RING | 1 |
| 15442190050 | GRIP , LEVER 12 | 1 |
| 13157072501 | hazard SWITCH , k2 | 1 |
| 12209045010 | LABEL , ROPS DANGER | 1 |
| 12382323001 | MAGNETIC ASSY , CRUISE | 1 |
| 17689200050 | LABEL , DIFF | 1 |
| V6001106009 | BEARING , BALL | 3 |
| V7041400280 | C-RING , SHAFT | 1 |
| 14602130030 | WASHER , 20X34X3 | 1 |
| 13154130041 | GEAR , BEVEL 18T | 2 |
| 13154112131 | NUT , M25 | 1 |
| V7201024012 | O-RING , P | 2 |
| 12209045020 | LABEL , ROPS WARNING | 1 |
| V2183610025 | BOLT , HEX/SP | 13 |
| V5001925015 | PIN , SPLIT | 2 |
| 13154130144M | CASE , FINAL DRIVE A | 2 |
| V2173608045 | BOLT , HEX/S | 3 |
| 13154130070 | SHIM | 2 |
| 11104070020 | SHOULDER BOLT , M14X30 | 18 |
| V6001106004 | BEARING , BALL | 1 |
| 13154112141 | SPACER(45X47X3) | 2 |
| 35602010150 | WASHER , BIND SHAFT | 14 |
| 12651040300 | CAP , RADIATOR | 1 |

PART NUMBER

DESCRIPTION

QTY for EACH TRACTOR

| | | |
|-------------|---------------------------|----|
| V4011600050 | WASHER , SPRING | 2 |
| 13154112170 | SHIM , B | 1 |
| V5801405025 | PIN , SPRING | 1 |
| 14722310060 | BEARING , BALL | 1 |
| 13154130021 | GEAR , BEVEL 11T | 2 |
| V4111600050 | WASHER , PLAIN | 7 |
| 13153280050 | PAD | 2 |
| V7811000006 | PLUG , SQUARE | 4 |
| V1222806012 | SCREW , C/R PAN/SP | 8 |
| 16705050060 | RING | 1 |
| 36104400180 | WASHER | 1 |
| V6001106208 | BEARING , BALL | 2 |
| V7441253506 | SEAL , OIL/D | 2 |
| 14721062300 | UNION UNIT , OIL COOLER | 2 |
| V2013614045 | BOLT , HEX | 2 |
| V2013614035 | BOLT , HEX | 2 |
| 15642212050 | CLUTCH , DISK | 6 |
| V7081400090 | E-RING | 5 |
| 11102320030 | BUSH , 20X23X20 | |
| V3232600100 | NUT , HEX SLOT & CASTLE | 1 |
| 13154130110 | WASHER , 35X45X2 | 2 |
| V7211031045 | O-RING , G | 1 |
| 12127025110 | LABEL , STARTER | 1 |
| 11644012302 | CAP(TYM) , STEERING WHEEL | 1 |
| V2004616050 | BOLT , HEX | 1 |
| V6001106203 | BEARING , BALL | 3 |
| 16994372180 | BOLT , WHEEL DISK | 10 |
| V5801403025 | PIN , SPRING | 1 |
| V6041106304 | BEARING , BALL/HL1 | 1 |
| V2173610020 | BOLT , HEX/S | 2 |
| 13152440050 | LINK | 1 |
| V5601600010 | PIN , SNAP | 2 |
| V2184610025 | BOLT , HEX/SP | 5 |
| V3013600140 | NUT , HEX/2 | 2 |
| V3343600160 | NUT , HEX FINE/2 | 2 |
| V6001106010 | BEARING , BALL | 1 |
| 15183062000 | CAP ASSY , OIL | 1 |
| 13154100013 | COVER, JOINT | 2 |
| V1122605012 | SCREW , C/R FLAT | 1 |
| 13154130061 | GEAR , BEVEL 9T | 2 |
| 16703180191 | PLATE , STOP | 1 |
| 15602231610 | BOLT , SET M8X16 | 1 |
| 14272010160 | CAP | 8 |
| 12305180020 | FILTER , 80 MESH | 1 |
| 15605250030 | BAND , 470 | 1 |
| 13152444002 | HOOK SET , RANGE | 1 |
| V2183610020 | BOLT , HEX/SP | 15 |
| V6041106206 | BEARING , BALL/HL1 | 1 |
| 16994372190 | NUT , WHEEL DISK | 10 |
| 13186012121 | GRILLE , FRONT | 1 |

PART NUMBER

DESCRIPTION

QTY for EACH TRACTOR

| | | |
|-------------|-----------------------------|----|
| V7211031060 | O-RING , G | 1 |
| 13154130030 | COLLAR , 53X62X2 | 2 |
| V7051400400 | C-RING , HOLE | 1 |
| 17995050100 | VALVE ASSY , MAIN CONTROL | 1 |
| 13155122203 | PIPE COMP , EXTERIOR HYD | 2 |
| 13154130051 | SHAFT | 2 |
| 14326210110 | CAP , M16 | 8 |
| 16601220020 | TURNBUCKLE , M8 L60 | 2 |
| V1922604016 | SCREW , TAPPING | 4 |
| 16342212050 | CLUTCH , PLATE | 5 |
| 18027090400 | BAND CLAMP 40 EMBO TYPE | 3 |
| 36402602001 | RUBBER COMP | 1 |
| V2123806016 | BOLT , HEX /SP | 5 |
| V2113606020 | BOLT , HEX /S | 2 |
| 37371720110 | CLAMP , FLASHER W/HARNES | 4 |
| 14572622101 | ARM COMP , 4WD | 1 |
| V7601500000 | NIPPLE , GREASE/A-M6F | 2 |
| 36313530021 | ADAPTER , HIGH-PRESSURE | 1 |
| 21443370020 | PIN , 08X25 | 4 |
| 13424020060 | CABLE TIE , 300 | 20 |
| V1112605030 | SCREW , C/R PAN | 9 |
| 14725100100 | ELBOW , PF3/8 M18 | 4 |
| 14722710040 | COLLAR , 17X24X6 | 1 |
| V3052600160 | NUT , HEX/3 | 1 |
| 15640040001 | VALVE , SUB FLOW CONTROL | 1 |
| 12105301001 | COUPLING A | 2 |
| 13185106401 | CABLE ASSY , JOYSTICK (770) | 2 |
| 16606070031 | CAP , 9 | 2 |
| V5801408036 | PIN , SPRING | 2 |
| 13154112250 | WASHER , THRUST | 2 |
| 13155010030 | BUSH , 35X42X40 | 1 |
| 16994080072 | UNION , SHORT | 3 |
| 14443140041 | COLLAR , 35X50X2 | 1 |
| V5001930020 | PIN , SPLIT | 2 |
| V7811600008 | PLUG , SQUARE | 1 |
| 15606950150 | CABLE TIE , 370 | 2 |
| V5801406040 | PIN , SPRING | 1 |
| 15991040050 | COLLAR , 08X12X08 | 6 |
| 13153280040 | SPRING , PARKING | 1 |
| 14043120060 | PIN , YOKE | 1 |
| V3342600100 | NUT , HEX FINE/2 | 2 |
| V7041400170 | C-RING , SHAFT | 1 |
| 13153280023 | PIN , PARKING BRAKE | 1 |
| V7631500000 | NIPPLE , GREASE/B-PT | 2 |
| 13764020030 | CABLE TIE , 140 | 4 |
| 14443180050 | COLLAR , PINION THRUST | 2 |
| V7201019010 | O-RING , P | 2 |
| V2113606016 | BOLT , HEX /S | 3 |
| 13154112150 | SPACER | 1 |
| V7201124022 | O-RING , P | 1 |

PART NUMBER

DESCRIPTION

QTY for EACH TRACTOR

| | | |
|---------------|-----------------------------|---|
| 13185106300 | LEVER ASSY , JOYSTICK | 1 |
| V1122806016 | SCREW , C/R FLAT | 3 |
| V6041106306 | BEARING , BALL/HL1 | 1 |
| V6802000019 | BALL , STEEL | 8 |
| 14256210040 | CLAMP , 9 | 6 |
| 13154112160 | SHIM , A | 2 |
| 18027090160 | BAND CLAMP 16 EMBO TYPE | 7 |
| V5001930025 | PIN , SPLIT | 1 |
| 13153272100 | PLATE COMP , DISC | 4 |
| 19026563040 | AIM'G CLIP | 6 |
| 13155010040 | BUSH , 40X46X40 | 1 |
| 17973030420 | SPRING | 1 |
| 36423600080 | CLIP , HOSE D=12.5 | 2 |
| V2193606025 | BOLT , HEX/SPL | 2 |
| 13606313000 | MIRROR ASSY | 1 |
| 11102100011 | COVER , FLYWHEEL | 1 |
| 16703180120 | SHIM , P/0.2 | 1 |
| 17685080950 | VALVE , AUX EXTERIOR DETENT | 1 |
| 15605110054 | GRIP , 3X17X97 | 1 |
| 15642730082 | WASHER , 35X55X3 | 1 |
| 14722312730 | PAD | 2 |
| 14585142600 | CHAIN COMP , RH CHECK | 2 |
| V6001106302 | BEARING , BALL | 2 |
| 16703272030 | SPRING , RETURN | 6 |
| 16705030030 | SHAFT , SLOW RETURN(76) | 1 |
| 12136213210 | KEY , BONNET OPEN | 1 |
| 14443140091 | CAP , PTO SHAFT | 1 |
| 16705251100 | HOOK , TOPLINK | 1 |
| V2173608030 | BOLT , HEX/S | 4 |
| V1222806016 | SCREW , C/R PAN/SP | 2 |
| 13266212003 | HORN | 1 |
| 16177020090 | PIN , 6X15 | 1 |
| 16704332220 | BUSH , 50X55X20 | 1 |
| 13156012112SR | HOOD | 1 |
| 13156012143 | NET , RH | 1 |
| 11116222000 | EMBLEM ASSY , K1 | 1 |
| V3313600160 | NUT , HEX FINE/2 | 2 |
| V2513612030 | BOLT , STUD/2 | 4 |
| 13154132014M | CASE , LH FINAL DRIVE B | 1 |
| 13155103730 | HOSE(21X29X80) | 1 |
| HK13010000C | FILTER, FUEL | 2 |
| 16322730030 | SHIM , 0.5 | 1 |
| 13152530041 | COLLAR ,25X40X12 | 1 |
| 13153280061 | SPRING , BRAKE | 2 |
| 18711112500 | FILTER , FUEL TANK | 1 |
| 13151112300 | GAUGE ASSY , FUEL | 1 |
| 13606571000 | REAR REFLECTOR | 2 |
| 13155122103 | LEVER COMP , AUX VALVE | 1 |
| 13154112110 | PINION , BEVEL 8T | 1 |
| 13154130131M | COVER , WHEEL SHAFT | 2 |

PART NUMBER

DESCRIPTION

QTY for EACH TRACTOR

| | | |
|--------------|-------------------------|----|
| V6321130304 | BEARING, TAPER ROLLER | 1 |
| V7201124016 | O-RING , P | 1 |
| HA00001425A | CONTROLLER | 1 |
| V7082400080 | E-RING | 1 |
| 13155206003 | TOP LINK ASSY | 1 |
| 13153270030 | PLATE , SEPARATE | 2 |
| 17995070170 | PLATE , D | 1 |
| 13156012133 | NET , LH | 1 |
| 14151060010 | WASHER | 2 |
| 13152712110 | GEAR , SPUR 32T | 1 |
| 13151040040 | CUSHION , RADIATOR | 2 |
| 16626582403 | SWITCH SET , ROTARY | 1 |
| 13156252121 | INSULATOR | 2 |
| 13156642100 | SWITCH , CRUISE | 1 |
| 12505240060 | Spring | 2 |
| 17995070180 | SPRING | 1 |
| 13276642002 | CASE ASSY . FUSE | 1 |
| 13154053001 | VALVE UNIT , STEERING | 1 |
| 13154112210 | GEAR , BEVEL 25T | 1 |
| 19026563102 | LAMP ASSY, LOW/LH/R113 | 1 |
| 14722212090 | RING , PISTON | 1 |
| 13152710020 | SHAFT, MID PTO COUNTER | 1 |
| 14527103610 | BOOTS , JOYSTICK VALVE | 1 |
| 15263202050 | WASHER | 10 |
| 13152710010 | MID PTO SHAFT | 1 |
| 19026563202 | LAMP ASSY, LOW/RH/R113 | 1 |
| 13153020020 | SHIM , 0.2 | 5 |
| V2173608080 | BOLT , HEX/S | 2 |
| 14527078550 | LABEL,PTO | 1 |
| 13156252110 | PLATE | 2 |
| 13154130081 | GEAR , BEVEL 44T | 2 |
| 13153020010 | SHIM , 0.1 | 4 |
| 13152700011M | MID PTO CASE | 1 |
| 13155030063 | ROD , PISTON | 1 |
| V6001506000 | BEARING , BALL | 2 |
| 13196642400 | FLASHER SET | 1 |
| 14585142520 | SHACKLE , CHECK CHAIN | 2 |
| 13154132024M | CASE , RH FINAL DRIVE B | 1 |
| 12505243500 | PIN | 2 |
| 17994360221 | CONNECTOR | 2 |
| 17131049210 | HOSE CLIP 11 | 2 |
| 11105030051M | PISTON , HYD | 1 |
| 13151112011 | INSULATOR , 40X70 | 3 |
| 16994080061 | UNION , PT3/8 M18 | 3 |
| 13153180110 | SHIM , 0.5 | 3 |
| 13153181030 | SHIM , 0.2 | 8 |
| 16703270011 | CAM | 2 |
| V2053605010 | BOLT , HEX C/R | 5 |
| 13154122300 | CAP ASSY , OIL | 1 |
| 13153180120 | SHIM , 0.1 | 3 |

PART NUMBER

DESCRIPTION

QTY for EACH TRACTOR

| | | |
|---------------|--------------------------|---|
| 16992190102 | GRIP , PTO | 1 |
| 14441010161 | CLAMP , RADIATOR HOSE | 1 |
| 17995040170 | WASHER , LOCK | 1 |
| 17995070200 | PLATE , A | 1 |
| 13151043110 | RADIATOR CAP | 1 |
| 12120028430 | SWITCH , BATTERY | 1 |
| 13156300030 | SPRING | 1 |
| 14722212020 | PISTON | 1 |
| 12126702100 | SWITCH ASSY , BRAKE | 1 |
| 16586652000 | HORN COMP | 1 |
| 13156300011 | INSULATOR , HOOD | 1 |
| 13153270021M | METAL ,BRAKE LH | 1 |
| 17995010210 | SPRING | 1 |
| V1922605012 | SCREW , TAPPING | 6 |
| 13607010012GB | NUMBER PLATE | 1 |
| 16704020020 | SPACER (F) | 1 |
| 15642730052 | HUB , 35X62X20 | 1 |
| 13155052101 | SHAFT COMP , POSITION | 1 |
| 14216210380 | CABLE TIE , 200 | 4 |
| 13186012130 | METAL , FRONT GRILLE | 1 |
| 14887024000 | LAMP ASSY , NUMBER PLATE | 1 |
| 13152611020 | GEAR , SPUR 28T | 1 |
| 13152530031 | GEAR , SPUR 41T | 1 |
| 15642212060 | PLATE , RETURN | 1 |
| 14722212070 | DISC | 1 |
| 13153270041M | METAL ,BRAKE RH | 1 |
| 13155032221 | PLATE , FIXED | 1 |
| 15605070070 | KNOB , SLOW RETURN | 1 |
| 11973102200 | CAP ASSY , FUEL | 1 |
| 36323600020 | CLIP , HOSE D=14 | 2 |
| 13156012301 | DAMPER , HOOD | 1 |
| 14444120090 | WASHER , SEAL | 1 |
| 13153181010M | METAL , DIFF CASE | 1 |
| 13155020011 | SHAFT , LIFT | 1 |
| 14326210061 | NUT , LOCK M12 | 4 |
| 13154070110 | PIN , HOOD | 1 |
| 13155206121 | JOINT , LH | 1 |
| 13155206131 | JOINT , RH | 1 |
| 13154112231 | PINION , DIFF 10T | 2 |
| 13152610021 | GEAR , SPUR 16T | 1 |
| 13153180080 | WASHER, THRUST 34X46X1 | 2 |
| 14722212040 | SPRING | 4 |
| 16705060060 | UNION | 1 |
| V7231015012 | O-RING , S | 4 |
| 13152542002 | ARM SET , PTO | 1 |
| 18027090600 | BAND CLAMP 60 EMBO TYPE | 4 |
| 15603160025 | TUBE , STRAIGHT 80 | 1 |
| 13754122200 | METAL ASSY , RR PIVOT | 1 |
| 13154130011 | SHAFT , LH | 1 |
| 13153180130 | SHIM , 0.2 | 4 |

PART NUMBER

DESCRIPTION

QTY for EACH TRACTOR

| | | |
|---------------|----------------------------|---|
| 13152540022 | STAY , PTO | 1 |
| 13152540011M | FORK , PTO | 1 |
| 13155050041 | PIN , CRANK | 1 |
| 13631051100GB | MTG BKT COMP , LH | 1 |
| 13155206111 | TURN BUCKLE | 1 |
| 13151120012 | INSULATOR | 1 |
| V3002600050 | NUT , HEX/1 | 2 |
| 13156082113 | GUIDE , LEVER LH | 1 |
| 13196562200 | LAMP ASSY, COMBINATION LH | 1 |
| 13154122220 | BUSH , 60X65X30 | 1 |
| 13152171011 | SHAFT , PTO CLUTCH | 1 |
| 13152212000 | CLUTCH ASSY , PTO CLUTCH | 1 |
| V2173610060 | BOLT , HEX/S | 2 |
| 36707030080 | BUSH , 20X23X20 | 2 |
| V2123606025 | BOLT , HEX /SP | 1 |
| 36143110010 | RUBBER , TANK INJECT HOLE | 1 |
| 13152611010 | GEAR , SPUR 17T | 1 |
| V6544252913 | BEARING , NEEDLE CAGED | 1 |
| 13152430022 | STAY , RANGE | 1 |
| 13153181020 | SHIM , 0.1 | 6 |
| 13152530011 | SHAFT , PTO | 1 |
| 13152510012 | SHAFT , PTO COUNTER | 1 |
| 13155050010 | SHAFT , PIVOT | 1 |
| 13155050030 | LINK , CRANK | 1 |
| 13153282303 | ARM COMP , BRAKE RH | 1 |
| V2013614050 | BOLT , HEX | 2 |
| 21004100070 | STOPPER , ARM/CARRYING | 2 |
| V2013608030 | BOLT , HEX | 2 |
| 13196562300 | LAMPS ASSY, COMBINATION RH | 1 |
| 13154112221 | GEAR , 20T DIFF SIDE | 2 |
| V6001606306 | BEARING , BALL | 1 |
| 13153270090 | ARM , BRAKE | 2 |
| 13153270010M | COVER , BRAKE | 2 |
| 13155052200 | LINK COMP , POSITION | 1 |
| 17995040131 | ROLLER | 2 |
| 17995080970 | COVER , EXTERIOR HYD | 1 |
| 13153282104GB | HUB COMP , BRAKE RH | 1 |
| 19026563010 | BULB , 12V 55W | 2 |
| V2123606020 | BOLT , HEX /SP | 6 |
| 19021024300 | HOSE . 530 | 2 |
| 13153182100 | CLUTCH COMP , DIFF LOCK | 1 |
| 13152171021 | HUB, PTO CLUTCH | 1 |
| K2310040070 | SEAL , DUST | 1 |
| 13155052300 | LINK COMP , B | 1 |
| 13155052401 | LINK COMP , PIVOT | 1 |
| 13155050021 | LINK , CONNECT | 1 |
| 13631511200 | HOSE , RADIATOR OUTLET | 1 |
| 14041170080 | SPRING , COMPRESSION 22 | 1 |
| 13154112240 | WASHER , THRUST | 2 |
| 13154112270 | SHAFT , DIFF PINION | 1 |

PART NUMBER

DESCRIPTION

QTY for EACH TRACTOR

| | | |
|---------------|-------------------------------|---|
| 13152400018M | CASE , TRANSMISSION RR | 1 |
| 13153002110 | PINION , DRIVE 9T | 1 |
| 13153002120 | GEAR , BEVEL 55T | 1 |
| 16702212030 | PLATE ASSY | 1 |
| 13835070210 | PLATE , FRICTION | 2 |
| 13632444620 | HOSE , 60 | 1 |
| 18027090500 | BAND CLAMP 50 EMBO TYPE | 2 |
| 11511310010 | GASKET , MUFFLER | 1 |
| 13153284101 | ROD COMP , HOOK | 2 |
| 34522150080 | ROD , CHAIN(TENSION)(82) | 1 |
| 14585100030 | ADAPTER , M18XP1.5 PF1/2 | 1 |
| 14585142700 | CHAIN COMP , LH CHECK | 2 |
| 13154120014M | HOUSING , FRONT AXLE | 1 |
| 13153240041 | COLLAR , 51X5X198 | 2 |
| 13153286301 | CABLE ASSY , PARKING | 1 |
| 13185106501GB | BRACKET COMP , JOYSTICK VALVE | 1 |
| 13185103401 | HOSE ASSY , STEERING | 2 |
| 13154112260 | CASE , FR DIFF | 1 |
| 13402632001 | ARM SUB ASSY , 4WD | 1 |
| 13152400024M | METAL , BEARING | 1 |
| 13155042100 | CLEVIS COMP | 1 |
| V2013608050 | BOLT , HEX | 2 |
| 13153190010M | FORK , DIFF LOCK | 1 |
| 13153193000 | PEDAL SET , DIFF LOCK | 1 |
| 13193286201GB | SEAT BRACKET COMP , EU | 1 |
| 13151042302GB | RADIATOR NET COMP | 1 |
| 11611411200 | HOSE , FUEL 720 | 1 |
| 11201032010 | BODY | 1 |
| 13631213100 | HOSE , AIRCLEANER INLET | 1 |
| 13151122201GB | PLATE COMP , SET | 1 |
| 16707109900 | VALVE ASSY , SLOW RETURN | 1 |
| 13156012213 | BRACKET , STAY | 1 |
| 13156032214 | COVER , DASH LOW | 1 |
| 14706300020 | CAP , SLOW RETURN | 1 |
| 13196253100GB | PLATE COMP, RH SUPPROT FENDER | 1 |
| 13139100040 | LABEL(PTO, M+R) | 1 |
| 13754122100 | METAL ASSY , FR PIVOT | 1 |
| 13155050051 | SPRING | 1 |
| 13185103200 | HOSE ASSY , DRAIN | 1 |
| 13156032121 | RUBBER | 4 |
| 13156402114SR | PANEL , FLOOR | 1 |
| 13197020011 | COVER STOP LAMP | 2 |
| V7231020050 | O-RING , S | 1 |
| 13154130091 | SHAFT , RH | 1 |
| 16701015001 | PLUG ASSY , DRAIN (MAGNET) | 2 |
| 13153180011M | CASE , DIFF | 1 |
| 13155010025M | CASE , COVER | 1 |
| 13366684300 | WIRE,EARTH | 1 |
| 13631511100 | HOSE , RADIATOR INLET | 1 |
| 13156030020 | INSULATOR | 1 |

PART NUMBER

DESCRIPTION

QTY for EACH TRACTOR

| | | |
|---------------|----------------------------|---|
| 14166300100 | CONTROLLER ASSY | 1 |
| 13156252205 | PLATE COMP , JOYSTICK | 1 |
| 13397024100GB | FRAME COMP , UPR | 1 |
| 11515182200 | GEAR PUMP ASSY , 8X5cc | 1 |
| 13154130122M | SHAFT , FRONT WHEEL | 2 |
| 13152530023 | GEAR , SPUR 53T | 1 |
| 19955162513 | VALVE ASSY , LOADER(DUKIN) | 1 |
| V2173608065 | BOLT , HEX/S | 1 |
| 13185102100GB | PIPE COMP , COOLER OUT | 1 |
| 11147022200 | GAS SPRING , ROPS | 1 |
| V2513410045 | BOLT , STUD/2 | 2 |
| 13153230012 | SHAFT , WHEEL PINION LH | 1 |
| 13153240022 | GEAR , SPUR 71T | 2 |
| 13152302002 | HST UNIT | 1 |
| 13155010014M | CASE , CYLINDER | 1 |
| V7801000002 | PLUG , HEX-SOCKET | 2 |
| 13154070502GB | SHIELD , LOW WIND | 1 |
| 13631051200GB | MTG BKT COMP , RH | 1 |
| 12126684400 | WIRE , EARTH | 1 |
| 14573282200 | ROD COMP , FORK 100 | 2 |
| 13152320023 | PIN , NEUTRAL | 1 |
| 13154072400GB | HINGE COMP , HOOD | 1 |
| 13156082133 | COVER, JOYSTICK | 1 |
| 13152430012M | FORK , RANGE | 1 |
| 13152632201 | ARM COMP | 1 |
| 13403002000 | DIFF ASSY , RR | 1 |
| 13153180030 | GEAR , BEVEL RH 20T | 1 |
| 13153180060 | GEAR , BEVEL LH 20T | 1 |
| 13153180070 | SHAFT , DIFF PINION | 1 |
| 13153200011M | HOUSING , AXLE | 2 |
| 13153230022 | SHAFT , WHEEL PINION RH | 1 |
| V2023612045 | BOLT , HEX FINE | 7 |
| 13155012102 | PIPE COMP , CYLINDER | 1 |
| 11511213300 | DUCT, AIR INLET | 1 |
| 13631312101DD | PIPE COMP, EXHAUST | 1 |
| 13635152201GB | PIPE COMP , SUCTION FR | 1 |
| 13186022100GB | FRAME COMP , HOOD | 1 |
| 14326462600 | SWITCH ASSY , INTENTION | 1 |
| 13631001200 | ENGINE , A1100N2-TETR_5 | 1 |
| 13153240010M | SHAFT , WHEEL | 2 |
| 13153284002 | ROD ASSY , BRAKE | 2 |
| 13635152101GB | PIPE COMP , SUCTION RR | 1 |
| 19026563030 | AIM'G BOLT | 6 |
| 14166602000 | PANEL ASSY , METER | 1 |
| 16994012020 | COVER , STEERING | 1 |
| 13434372000 | TIRE ASSY , LH FR | 1 |
| 13434373000 | TIRE ASSY , RH FR | 1 |
| 13434374000 | TIRE ASSY , LH 9.5-20 | 1 |
| 13434375000 | TIRE ASSY , RH 9.5-20 | 1 |
| 13631512100 | SHROUD | 1 |

PART NUMBER

DESCRIPTION

QTITY for EACH TRACTOR

| | | |
|---------------|-----------------------------|---|
| 13152324102GB | ARM COMP , CAM | 1 |
| 13185106101 | VALVE SET , JOYSTICK(DUKIN) | 1 |
| 13185162520 | VALVE ASSY , RELIEF 175K | 1 |
| 13631162100 | CABLE ASSY , THROTTLE | 1 |
| 13186412110 | MAT , FLOOR | 1 |
| 14443120010M | BOSS | 1 |
| 14443180040 | PINION , DIFF 12T | 2 |
| 13152702000 | MID PTO ASSY | 1 |
| V2174610050 | BOLT , HEX/S | 2 |
| V2513408030 | BOLT , STUD/2 | 2 |
| 13155022101M | ARM COMP , LIFT | 2 |
| 13434100011GB | SHAFT , 4WD | 1 |
| V2143610050 | BOLT .HEX FINE MACHINE/S | 1 |
| 13185102200GB | PIPE COMP , COOLER IN | 1 |
| 13156012151 | PLATE , HOOD | 1 |
| 13156082123 | GUIDE , LEVER RH | 1 |
| 13151160010 | PIN , THROTTLE | 1 |
| 13154122211M | METAL , RR PIVOT | 1 |
| H016200A | SHAFT(P) | 1 |
| K04015 | SEAL , OIL | 1 |
| H016204A | SEAL COVER(P) | 1 |
| 15829040220 | LABEL , MODEL/EU | 1 |
| 13195213100 | PIN ASSY , TRAILER | 1 |
| 12126684201 | WIRE , EARTH | 1 |
| 13152324003 | CAM SUB ASSY | 1 |
| 13156032113 | COVER , DASH UPR | 1 |
| 12519100140 | LABEL , JACK POINT | 1 |

1. 엔진 PART NO. EG

| | |
|---------------------------------------|----|
| FIG 101 CYLINDER BLOCK | 7 |
| FIG 102 OIL PAN | 9 |
| FIG 103 CYLINDER HEAD | 11 |
| FIG 104 GEAR CASE | 13 |
| FIG 105 HEAD COVERT | 15 |
| FIG 106 OIL FILTER | 17 |
| FIG 107 OIL GAUGE | 19 |
| FIG 108 MAIN BEARING CASE | 21 |
| FIG 109 CAM SHAFT & IDLE SHAFT | 23 |
| FIG 110 PISTON & CRANK SHAFT | 25 |
| FIG 111 FLYWHEEL | 27 |
| FIG 112 FUEL CAM SHAFT&GOVERNOR SHAFT | 29 |
| FIG 113 IDLE APPARATUS | 31 |
| FIG 114 CONNECTING-ROD | 33 |
| FIG 115 GOVERNOR | 35 |
| FIG 116 SPEED CONTROL PLATE | 37 |
| FIG 117 INJECTOR & GLOW PLUG | 39 |
| FIG 118 WATER PUMP FLANGE&THERMOSTAT | 41 |
| FIG 119 WATER PUMP | 43 |
| FIG 120 ROCKER ARM | 45 |
| FIG 121 INTAKE MANIFOLD | 47 |
| FIG 122 EXHAUST MANIFOLD | 49 |
| FIG 123 STOP SOLENOID | 51 |
| FIG 124 ALTERNATOR & PULLY | 53 |
| FIG 125 STARTING MOTOR | 55 |
| FIG 126 EXHAUST SILENCER | 57 |
| FIG 127 COOLING PAN | 59 |
| FIG 128 OIL PRESSURE SWITCH | 61 |
| FIG 129 DATA PLATE | 63 |
| FIG 130 WATER PIPE | 65 |
| FIG 131 WATER PIPE | 67 |

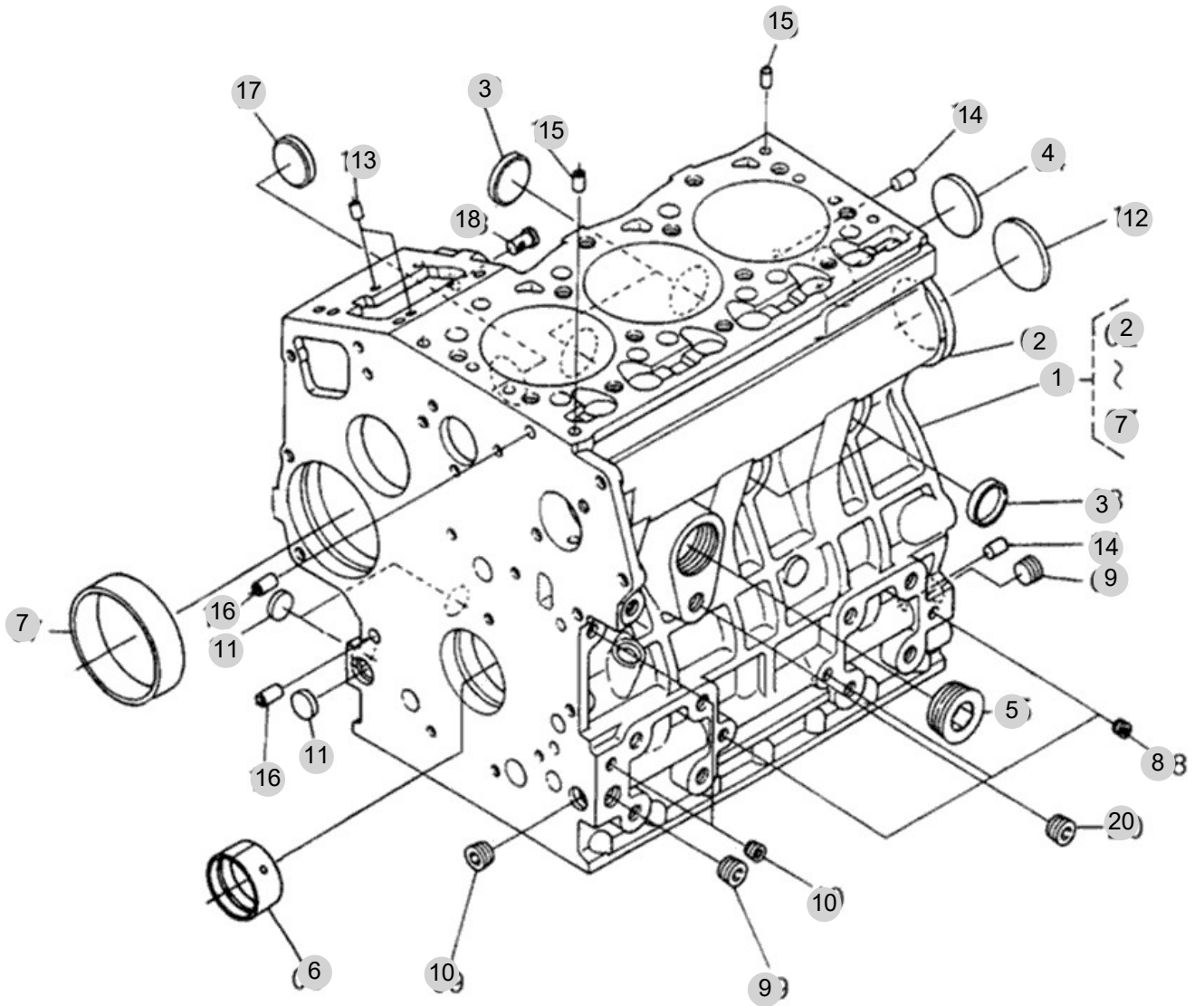
FIG 101

T265NHEU

CYLINDER BLOCK

년/월
Year/Month

2022-12



NOTE

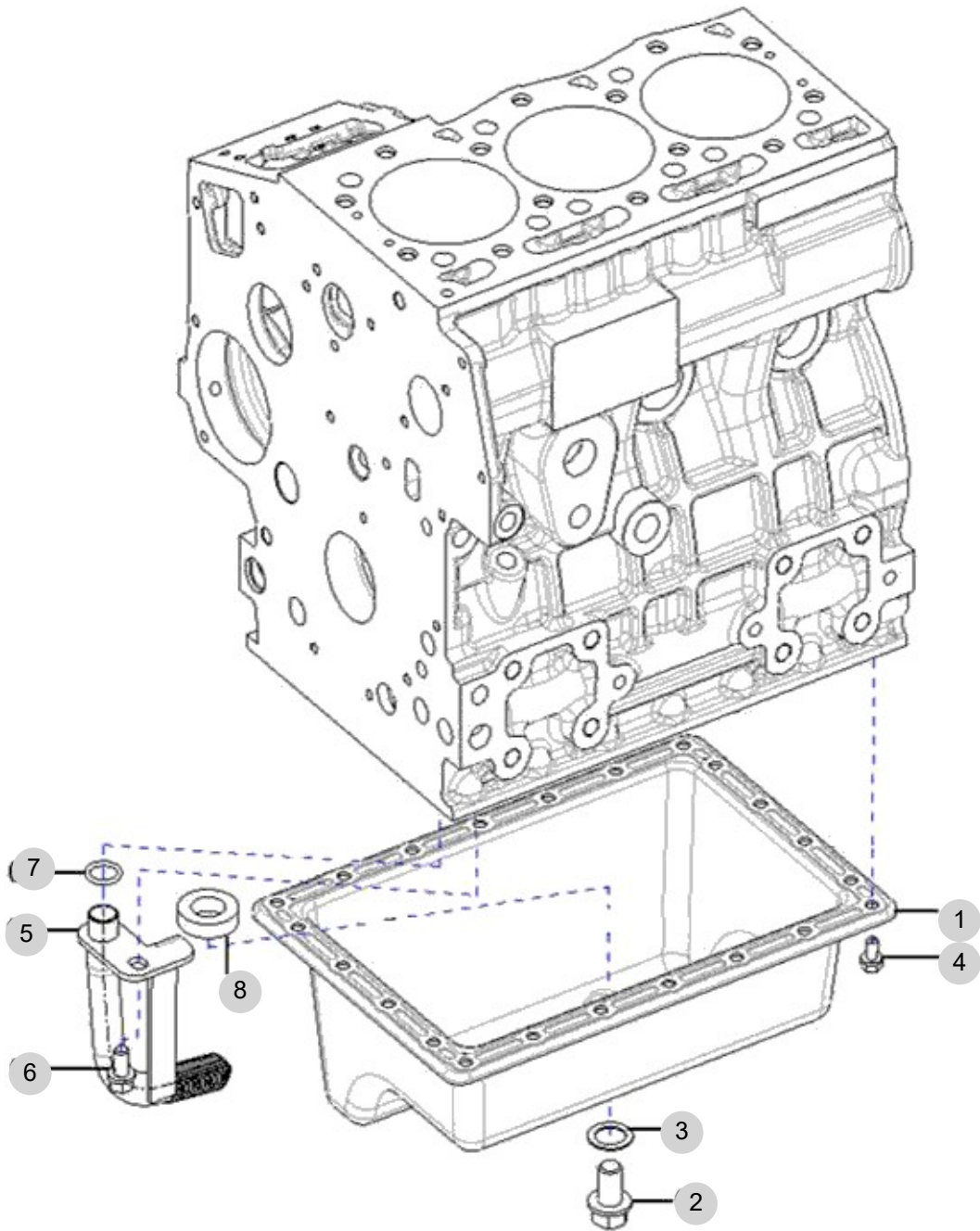
FIG 102

T265NHEU

OIL PAN

년/월
Year/Month

2022-12



NOTE

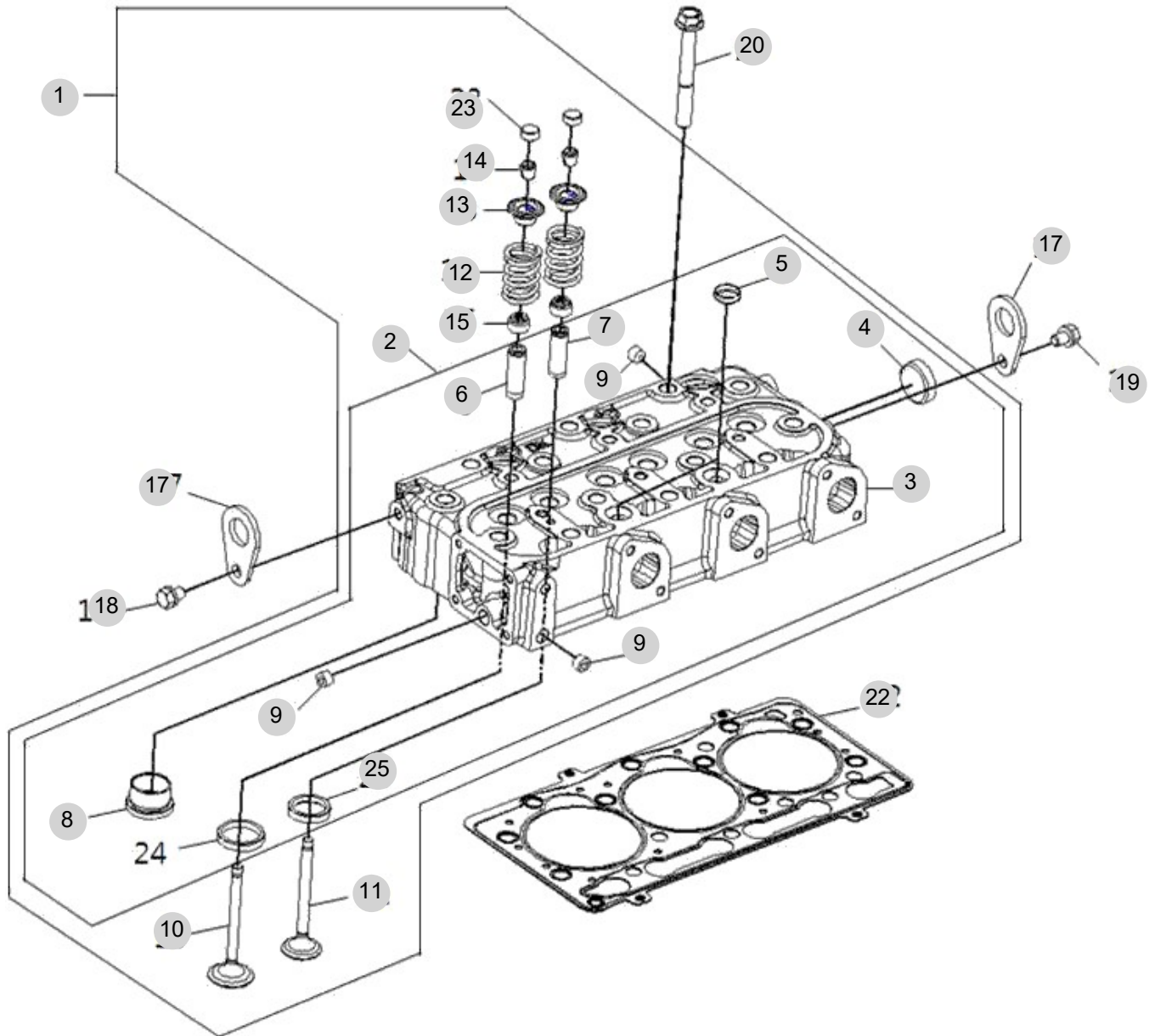
FIG 103

CYLINDER HEAD

년/월
Year/Month

2022-12

T265NHEU



NOTE

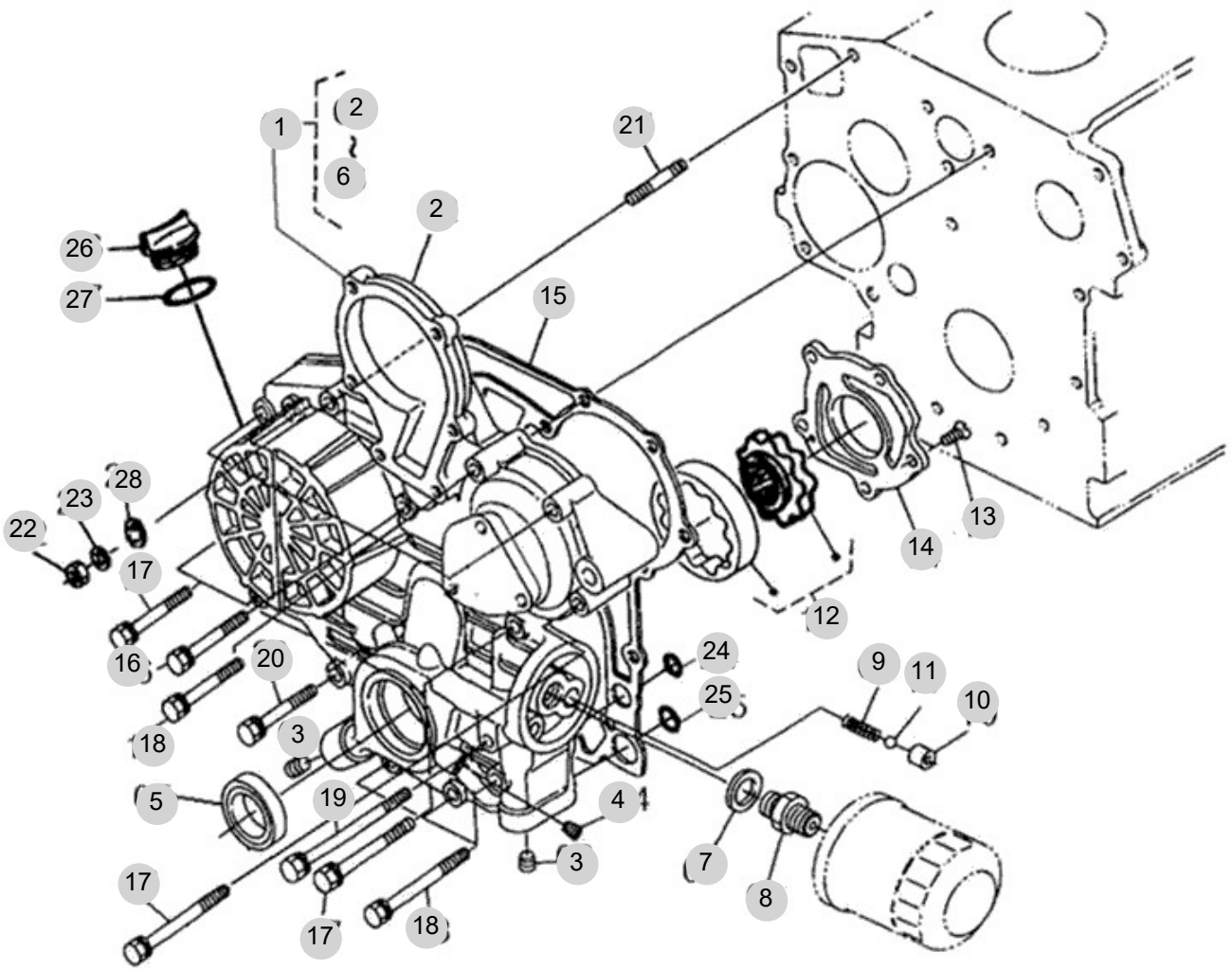
FIG 104

GEAR CASE

년/월
Year/Month

2022-12

T265NHEU



NOTE

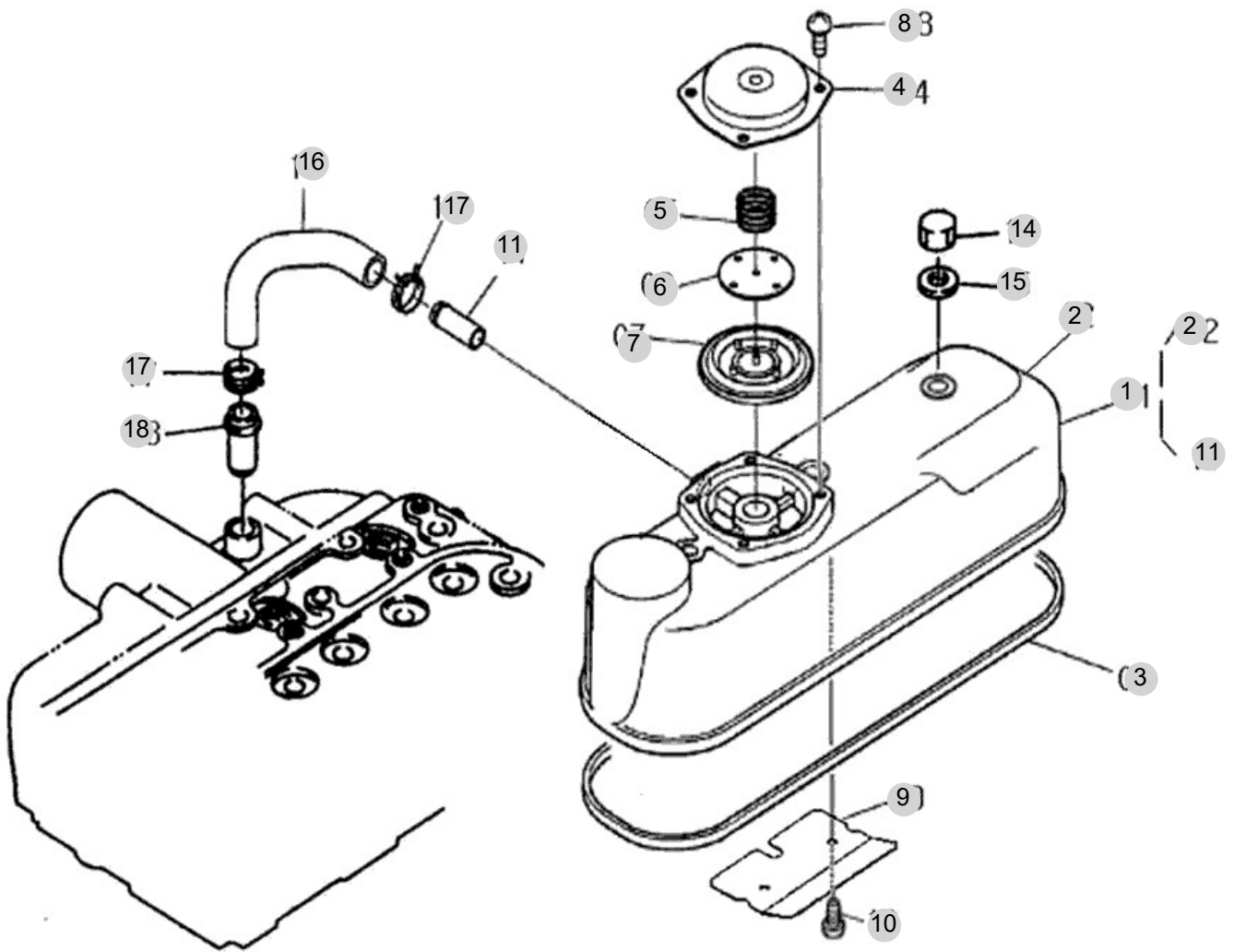
FIG 105

HEAD COVERT

년/월
Year/Month

T265NHEU

2022-12



NOTE

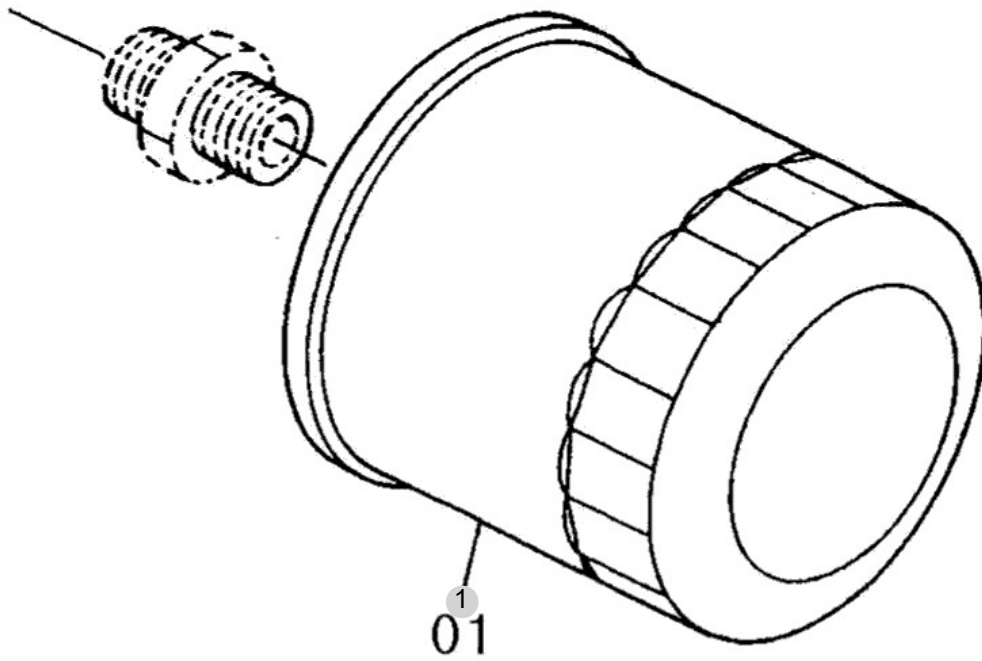
FIG 106

T265NHEU

OIL FILTER

년/월
Year/Month

2022-12



NOTE

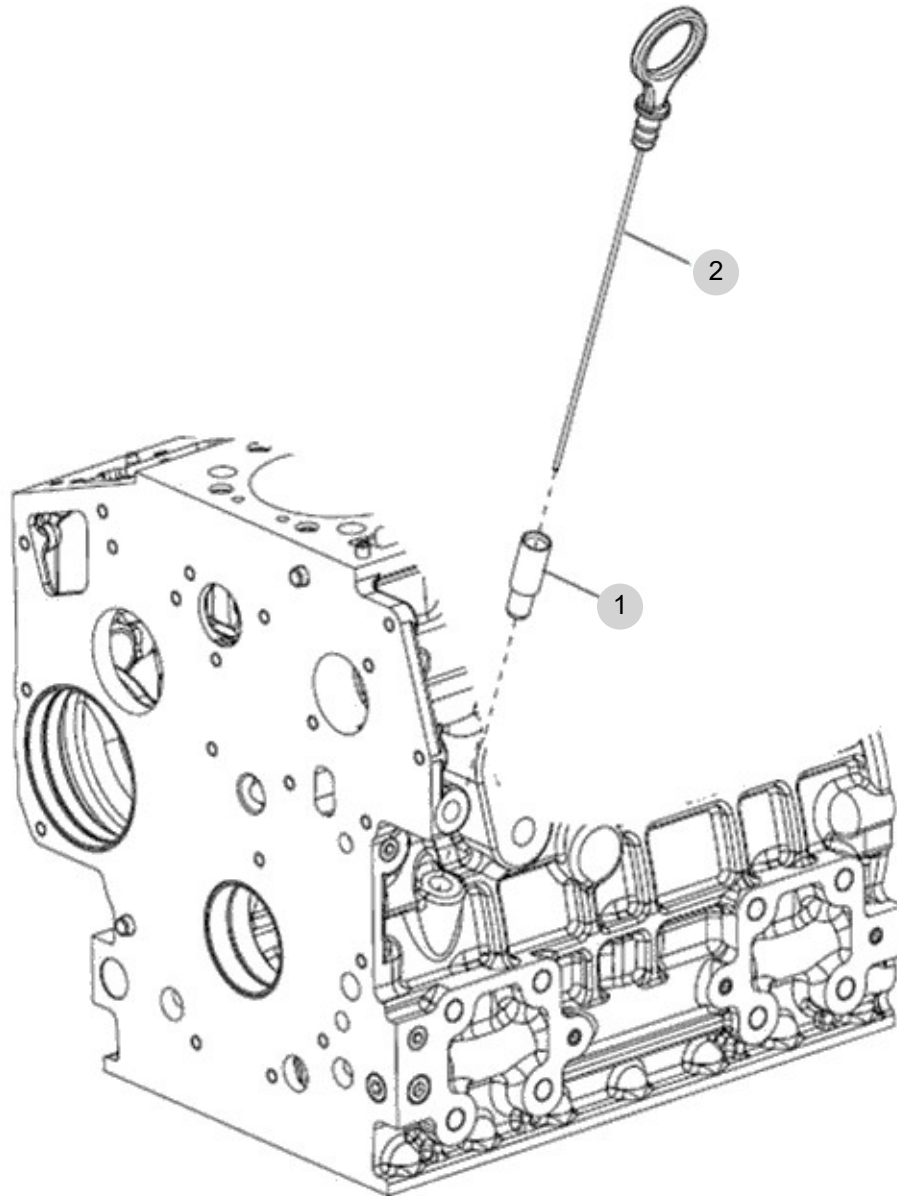
FIG 107

T265NHEU

OIL GAUGE

년/월
Year/Month

2022-12



NOTE

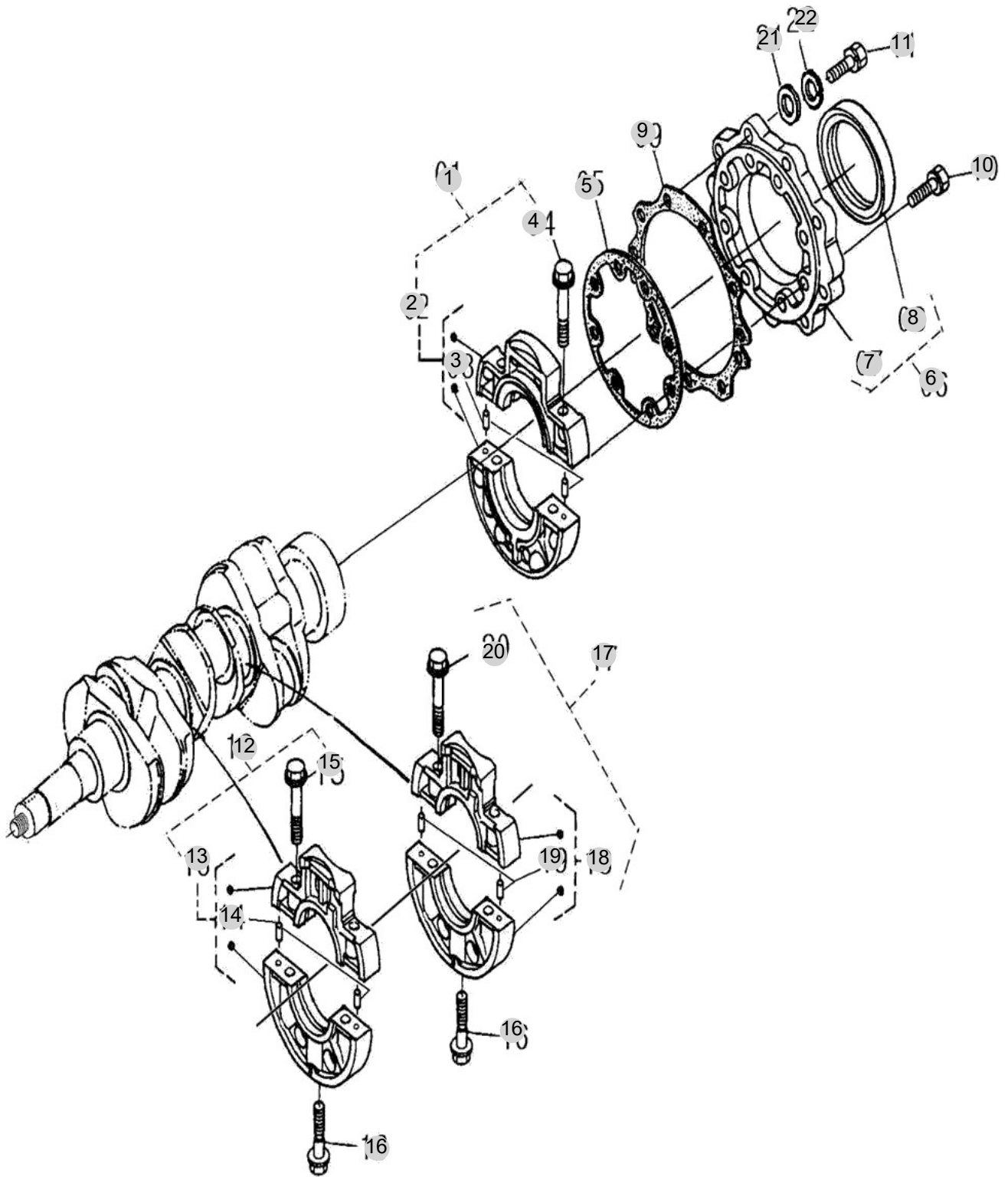
FIG 108

MAIN BEARING CASE

년/월
Year/Month

2022-12

T265NHEU



NOTE

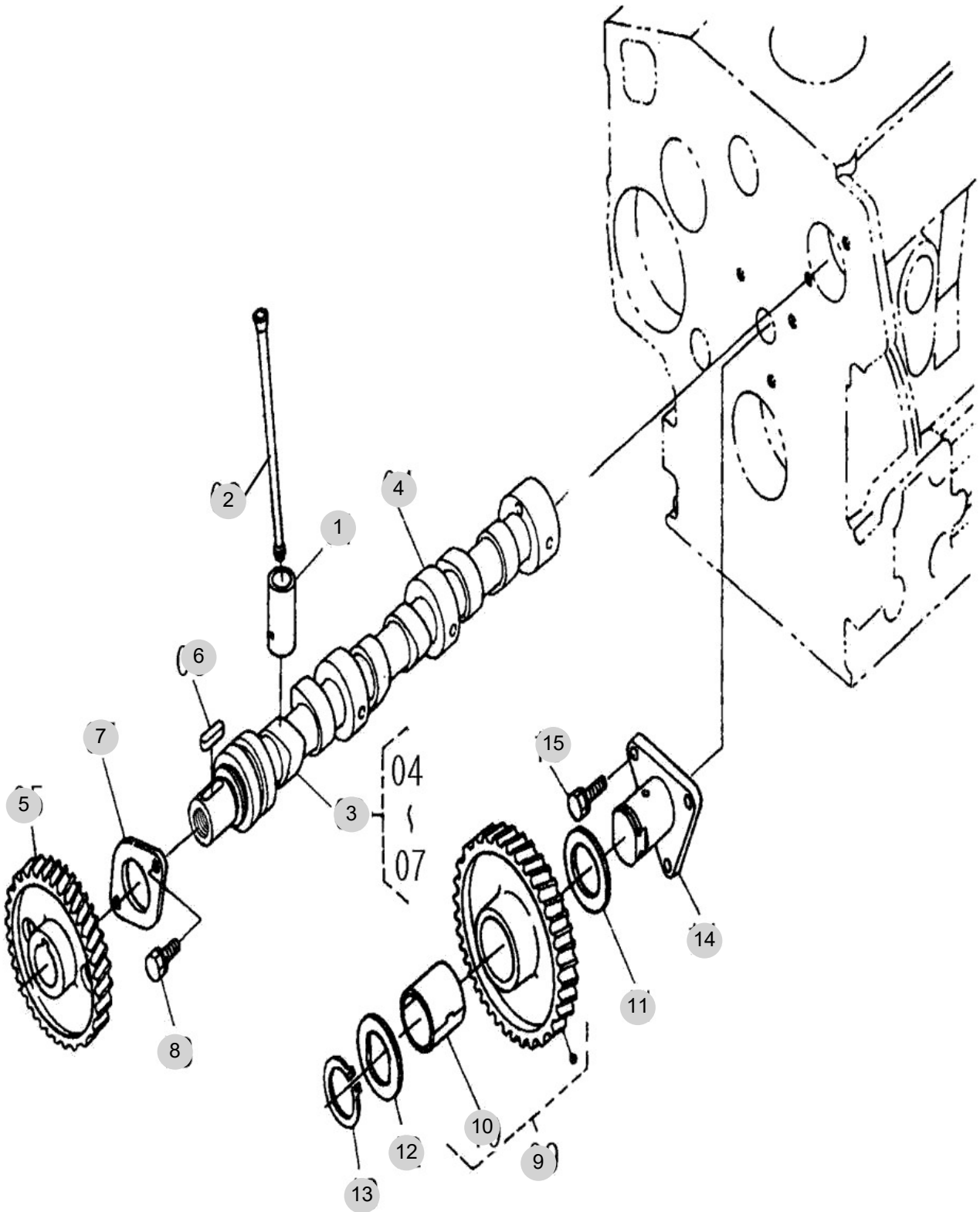
FIG 109

CAM SHAFT & IDLE SHAFT

년/월
Year/Month

T265NHEU

2022-12



NOTE

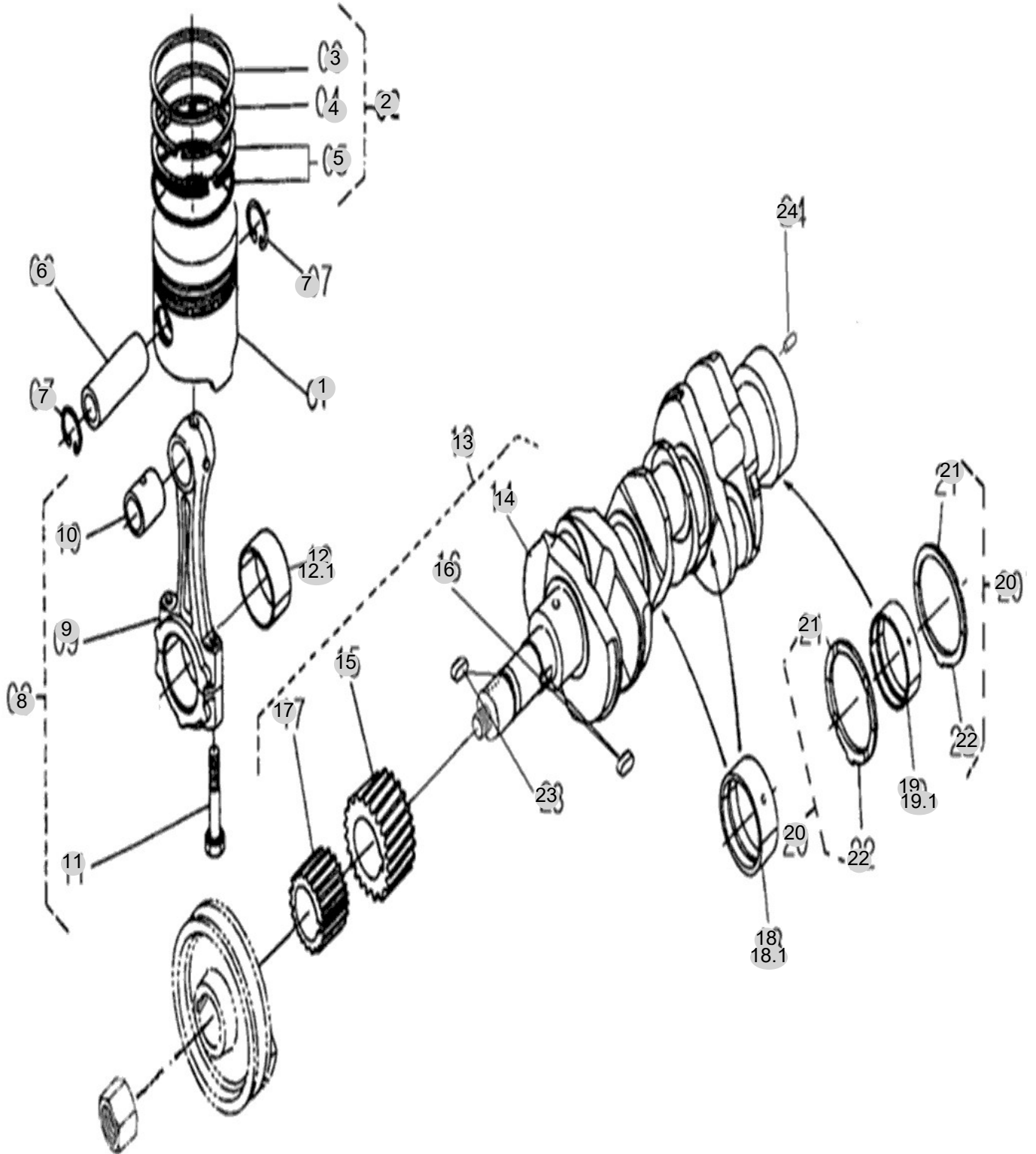
FIG 110

PISTON & CRANK SHAFT

년/월
Year/Month

2022-12

T265NHEU



NOTE

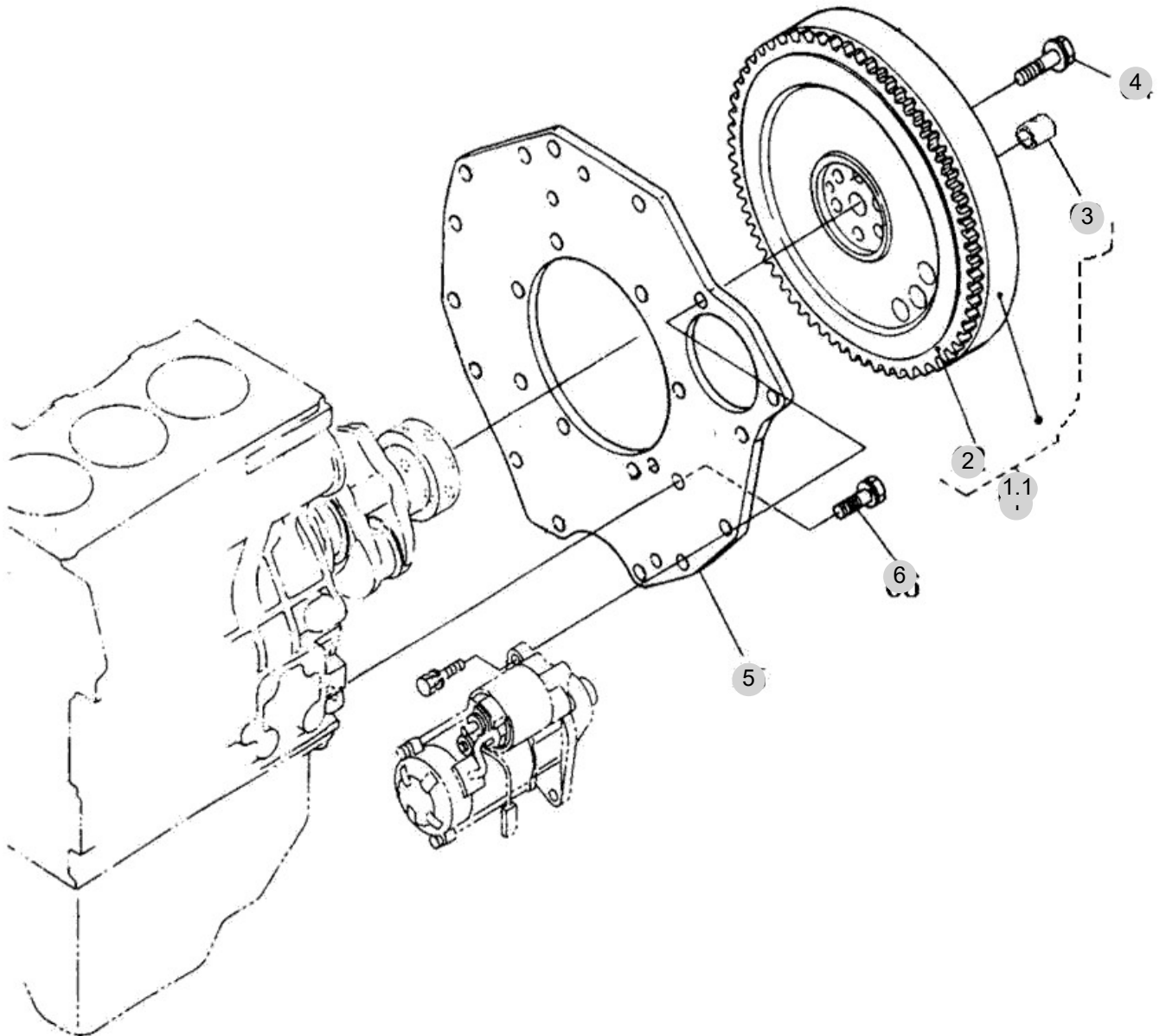
FIG 111

T265NHEU

FLYWHEEL

년/월
Year/Month

2022-12



NOTE

| FIG 111 | | FLYWHEEL | | | | | 년/월 | |
|----------|-----|--------------|-------------|----------|-----|--------|----------------|---------|
| | | | | | | | Year/Month | |
| T265NHEU | | 2022-12 | | | | | | |
| KEY NO | | PART NO | DESCRIPTION | SPEC | QTY | REPAIR | EFFECTIVE DATE | REMARKS |
| 111 | 1 | EA00003087D | 플라이휠 조합 | | 1 | | | |
| 111 | 1.1 | EA00003086E | 플라이휠 | | 0 | | | |
| 111 | 2 | HT11010200A | 링기어 | | 1 | | | |
| 111 | 3 | CE21200000A | 드라이 부시 | 15X18X23 | 1 | | | |
| 111 | 4 | HT11020000A | 플라이휠 볼트 | | 6 | | | |
| 111 | 5 | EA00003046A | 리어플레이트 | | 1 | | | |
| 111 | 6 | 26013-100252 | 와셔조립육각볼트 | M10X25 | 8 | | | |
| | | | | | | | | |
| | | | | | | | | |
| | | | | | | | | |
| | | | | | | | | |
| | | | | | | | | |
| | | | | | | | | |
| | | | | | | | | |
| | | | | | | | | |
| | | | | | | | | |
| | | | | | | | | |
| | | | | | | | | |
| | | | | | | | | |
| | | | | | | | | |
| | | | | | | | | |
| | | | | | | | | |
| | | | | | | | | |
| | | | | | | | | |
| | | | | | | | | |
| | | | | | | | | |
| | | | | | | | | |
| | | | | | | | | |
| | | | | | | | | |
| | | | | | | | | |
| | | | | | | | | |
| | | | | | | | | |
| | | | | | | | | |
| | | | | | | | | |
| | | | | | | | | |
| | | | | | | | | |
| | | | | | | | | |
| | | | | | | | | |
| | | | | | | | | |
| | | | | | | | | |
| | | | | | | | | |
| | | | | | | | | |
| | | | | | | | | |
| | | | | | | | | |
| | | | | | | | | |
| | | | | | | | | |
| NOTE | | | | | | | | |

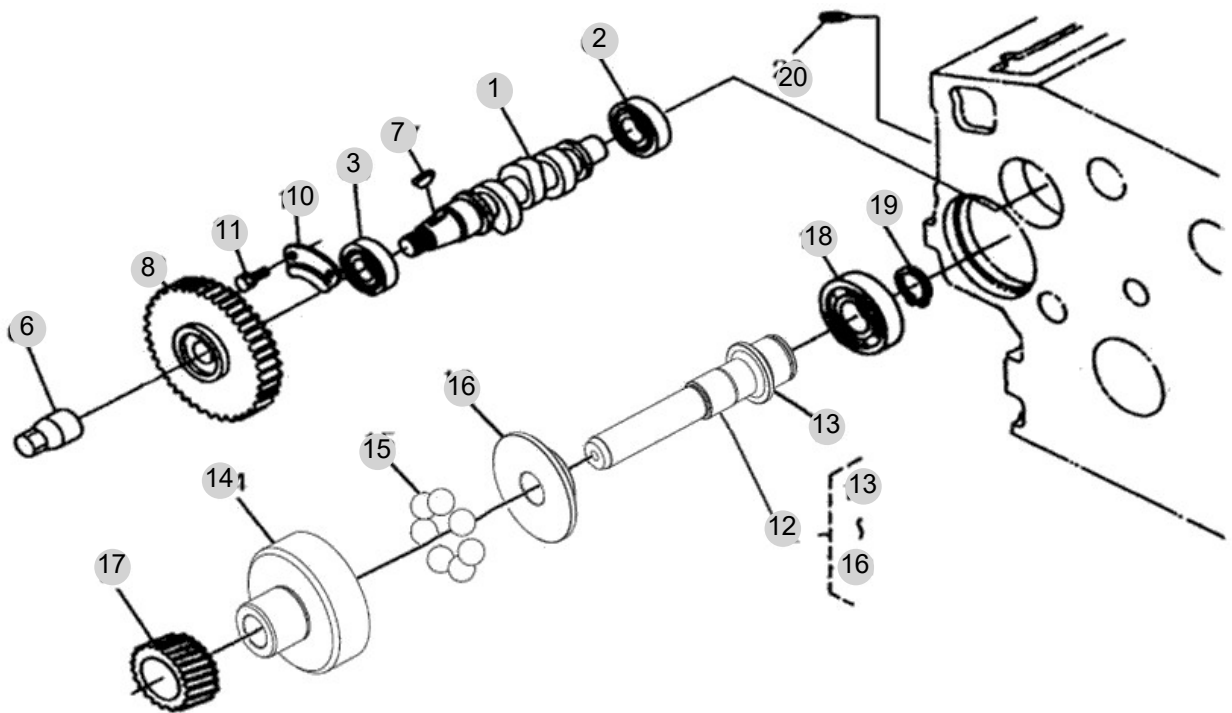
FIG 112

FUEL CAM SHAFT&GOVERNOR SHAFT

년/월
Year/Month

2022-12

T265NHEU



NOTE

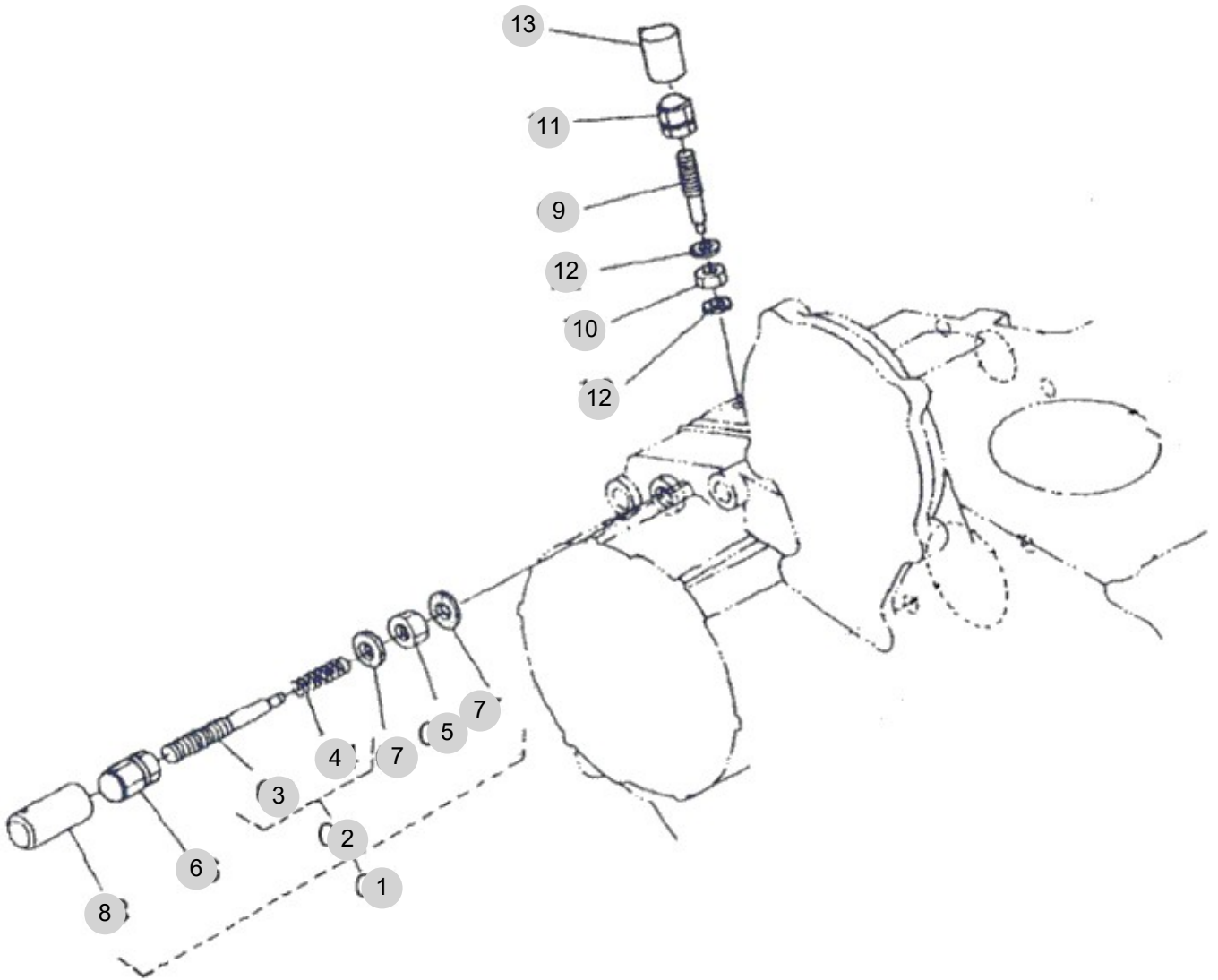
FIG 113

IDLE APPARATUS

년/월
Year/Month

T265NHEU

2022-12



NOTE

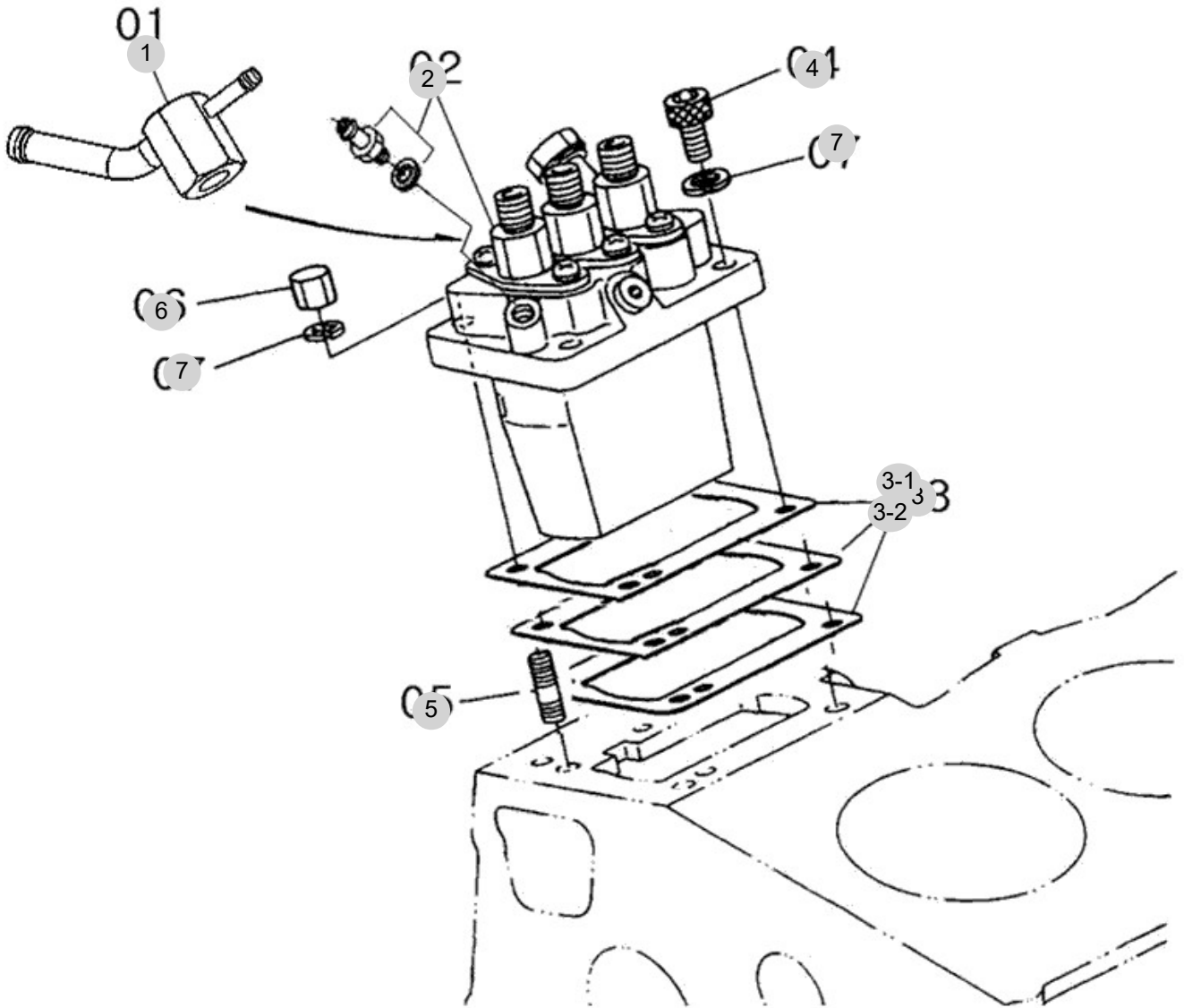
FIG 114

T265NHEU

CONNECTING-ROD

년/월
Year/Month

2022-12



NOTE

| FIG 114 T265NHEU | | CONNECTING-ROD | | | | | | 년/월 Year/Month | |
|---------------------|---------|----------------|-------------|------|--------|----------------|---------|-------------------|--|
| | | | | | | | | 2022-12 | |
| KEY NO | PART NO | DESCRIPTION | SPEC | QTY | REPAIR | EFFECTIVE DATE | REMARKS | | |
| 114 | 1 | EA00005387B | 연료 공급관 | | | | | | |
| 114 | 2 | HT14020000A | 연료 분사 펌프 조합 | | | | | | |
| 114 | 3 | HT14030000B | 시임 조합 | | | | | | |
| 114 | 3-1 | HT14030100A | 시임(A) | 0.28 | | | | | |
| 114 | 3-2 | HT14030200A | 시임(B) | 0.38 | | | | | |
| 114 | 4 | 26450-060202 | 육각구멍붙이볼트 | | | | | | |
| 114 | 5 | 26216-060202 | 심음볼트 | | | | | | |
| 114 | 6 | HT14040000A | 캡 너트 | | | | | | |
| 114 | 7 | 22217-060000 | 스프링와셔 | | | | | | |
| | | | | | | | | | |
| | | | | | | | | | |
| | | | | | | | | | |
| | | | | | | | | | |
| | | | | | | | | | |
| | | | | | | | | | |
| | | | | | | | | | |
| | | | | | | | | | |
| | | | | | | | | | |
| | | | | | | | | | |
| | | | | | | | | | |
| | | | | | | | | | |
| | | | | | | | | | |
| | | | | | | | | | |
| | | | | | | | | | |
| | | | | | | | | | |
| | | | | | | | | | |
| | | | | | | | | | |
| | | | | | | | | | |
| | | | | | | | | | |
| | | | | | | | | | |
| | | | | | | | | | |
| | | | | | | | | | |
| | | | | | | | | | |
| | | | | | | | | | |
| | | | | | | | | | |
| | | | | | | | | | |
| | | | | | | | | | |
| | | | | | | | | | |
| | | | | | | | | | |
| | | | | | | | | | |
| NOTE | | | | | | | | | |

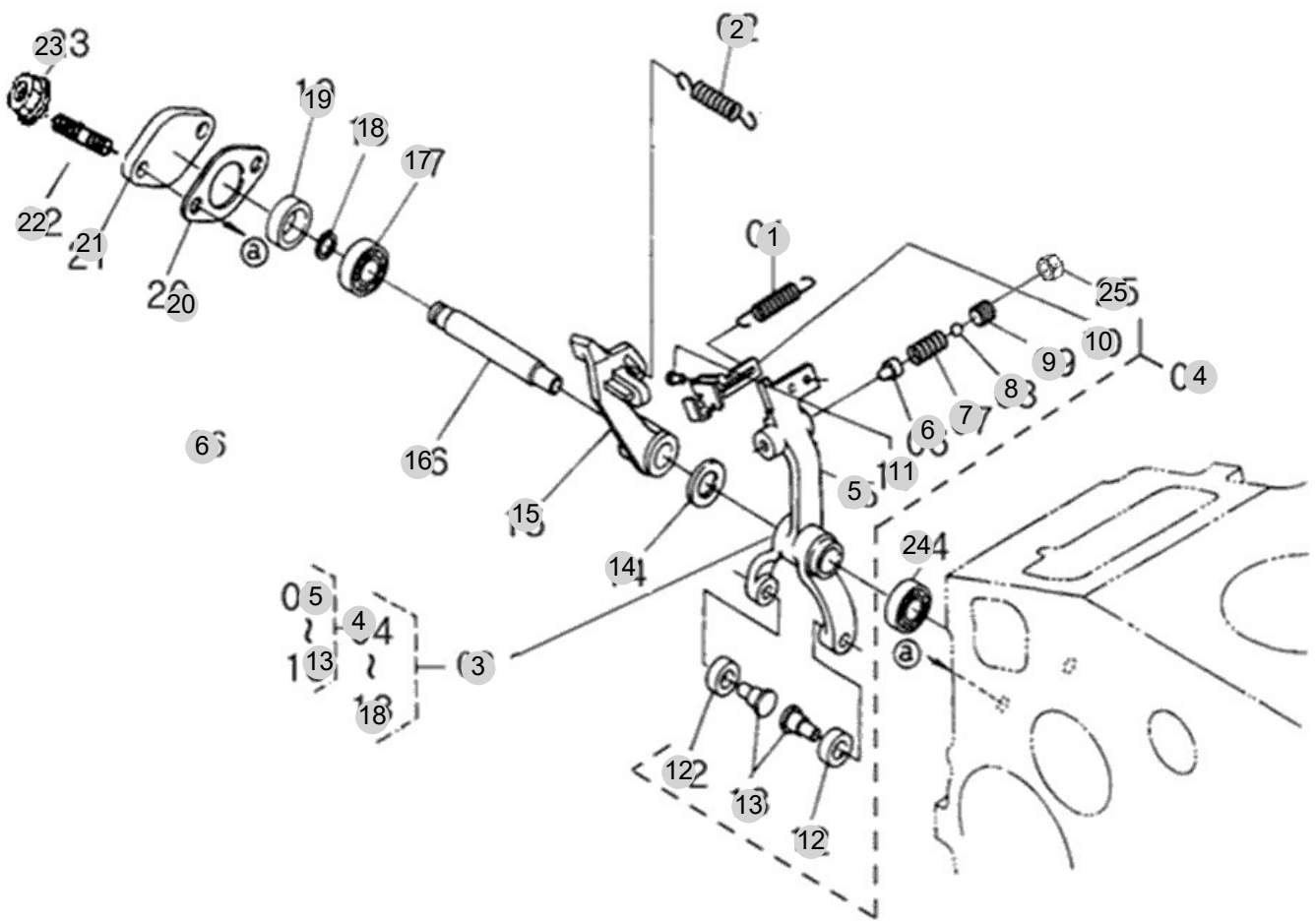
FIG 115

GOVERNOR

년/월
Year/Month

2022-12

T265NHEU



NOTE

| | | |
|----------------|-----------------|-------------------|
| FIG 115 | GOVERNOR | 년/월 Year/Month |
| T265NHEU | | 2022-12 |

| KEY NO | PART NO | DESCRIPTION | SPEC | QTY | REPAIR | EFFECTIVE DATE | REMARKS |
|--------|---------|--------------|--------------------------|-------|--------|----------------|---------|
| 115 | 1 | HT15010000A | SPRING, START | | 1 | | |
| 115 | 2 | HT15020000B | SPRING(A), GOVERNOR | | 1 | | |
| 115 | 3 | HT15040000B | 포크 레버 COMP | | 1 | | |
| 115 | 4 | EA00005431A | 포크 레버(A) 조합 | | 1 | | |
| 115 | 5 | HT15040101C | LEVER(A), FORK | | 1 | | |
| 115 | 6 | HT15040102A | PIN | | 1 | | |
| 115 | 7 | HT15040103C | SPRING | | 1 | | |
| 115 | 8 | 24190-050001 | BALL, STEEL | | 1 | | |
| 115 | 9 | EA00005432A | 조정나사(B) | | 1 | | |
| 115 | 10 | HT15040105B | LEVER, THRUST | | 1 | | |
| 115 | 11 | HT15040106A | PIN (A) | | 2 | | |
| 115 | 12 | EA00004225A | 단열깊은훔베어링(687zz) | | 2 | | |
| 115 | 13 | HT15040107A | PIN (B) | | 2 | | |
| 115 | 14 | HT15040200A | WASHER, PLAIN | | 1 | | |
| 115 | 15 | HT15040300B | 포크 레버(B) | | 1 | | |
| 115 | 16 | HT15040400C | SHAFT, FORK LEVER | | 1 | | |
| 115 | 17 | HT15040500A | BEARING 699, MINIATURIZE | | 1 | | |
| 115 | 18 | HT15040600A | CIR. CLIP, EXTERNAL | | 1 | | |
| 115 | 19 | HT15050000A | COLLAR | | 1 | | |
| 115 | 20 | HT15060000A | PACKING | | 1 | | |
| 115 | 21 | HT15070000A | COVER, FORK LEVER SHAFT | | 1 | | |
| 115 | 22 | 26012-060182 | STUD | M6X18 | 2 | | |
| 115 | 23 | 26367-060002 | 육각플랜지너트 | M6 | 2 | | |
| 115 | 24 | HT15080000A | BEARING 698, MINIATURIZE | | 1 | | |
| 115 | 25 | EA00005437A | 육각너트 | | 1 | | |
| | | | | | | | |
| | | | | | | | |
| | | | | | | | |
| | | | | | | | |
| | | | | | | | |
| | | | | | | | |
| | | | | | | | |
| | | | | | | | |
| | | | | | | | |
| | | | | | | | |
| | | | | | | | |
| | | | | | | | |
| | | | | | | | |
| | | | | | | | |
| | | | | | | | |
| | | | | | | | |
| | | | | | | | |
| | | | | | | | |
| | | | | | | | |
| | | | | | | | |
| | | | | | | | |
| | | | | | | | |
| | | | | | | | |
| | | | | | | | |
| | | | | | | | |
| | | | | | | | |
| | | | | | | | |
| | | | | | | | |
| | | | | | | | |

| | |
|------|--|
| NOTE | |
|------|--|

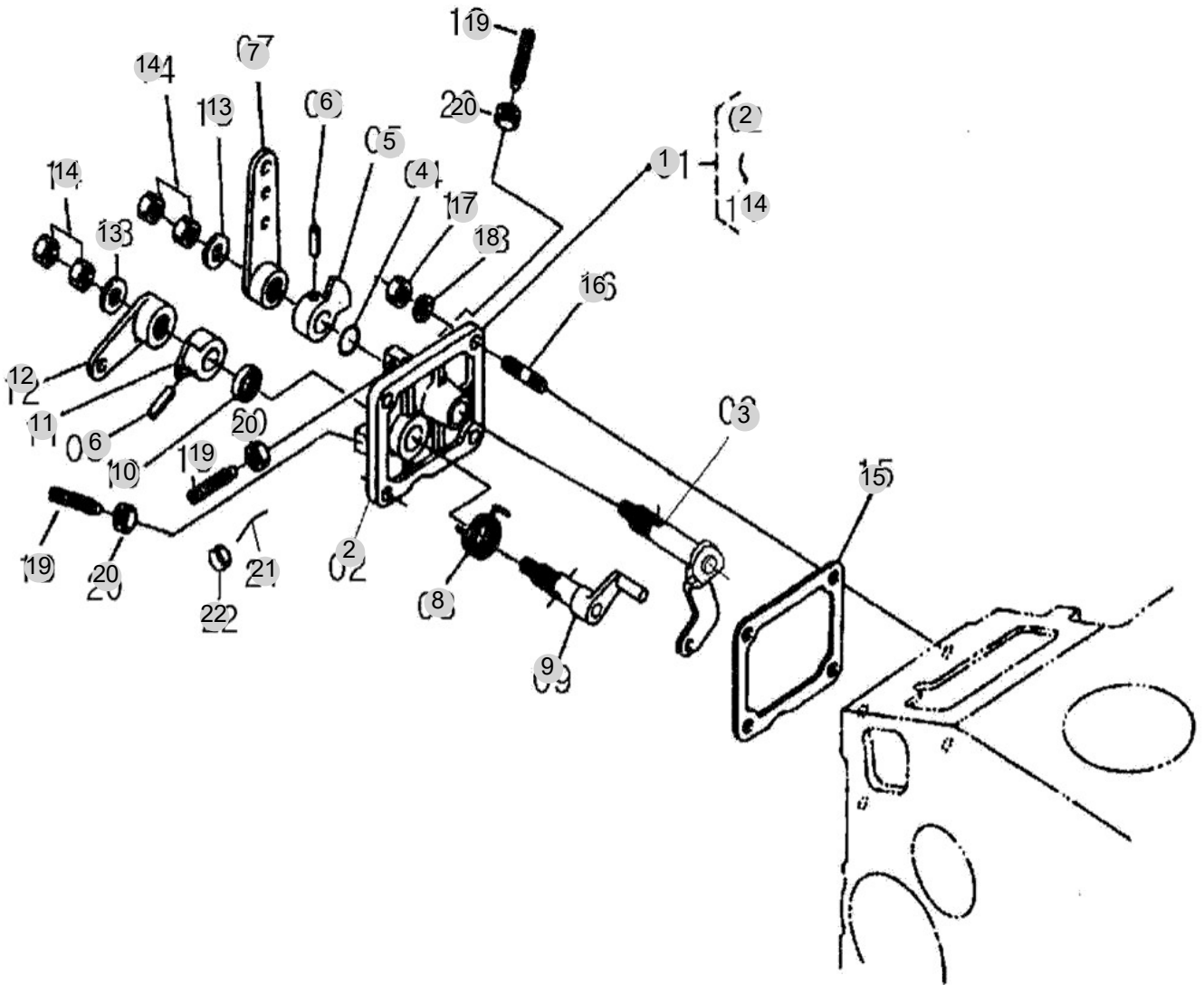
FIG 116

SPEED CONTROL PLATE

년/월
Year/Month

2022-12

T265NHEU



NOTE

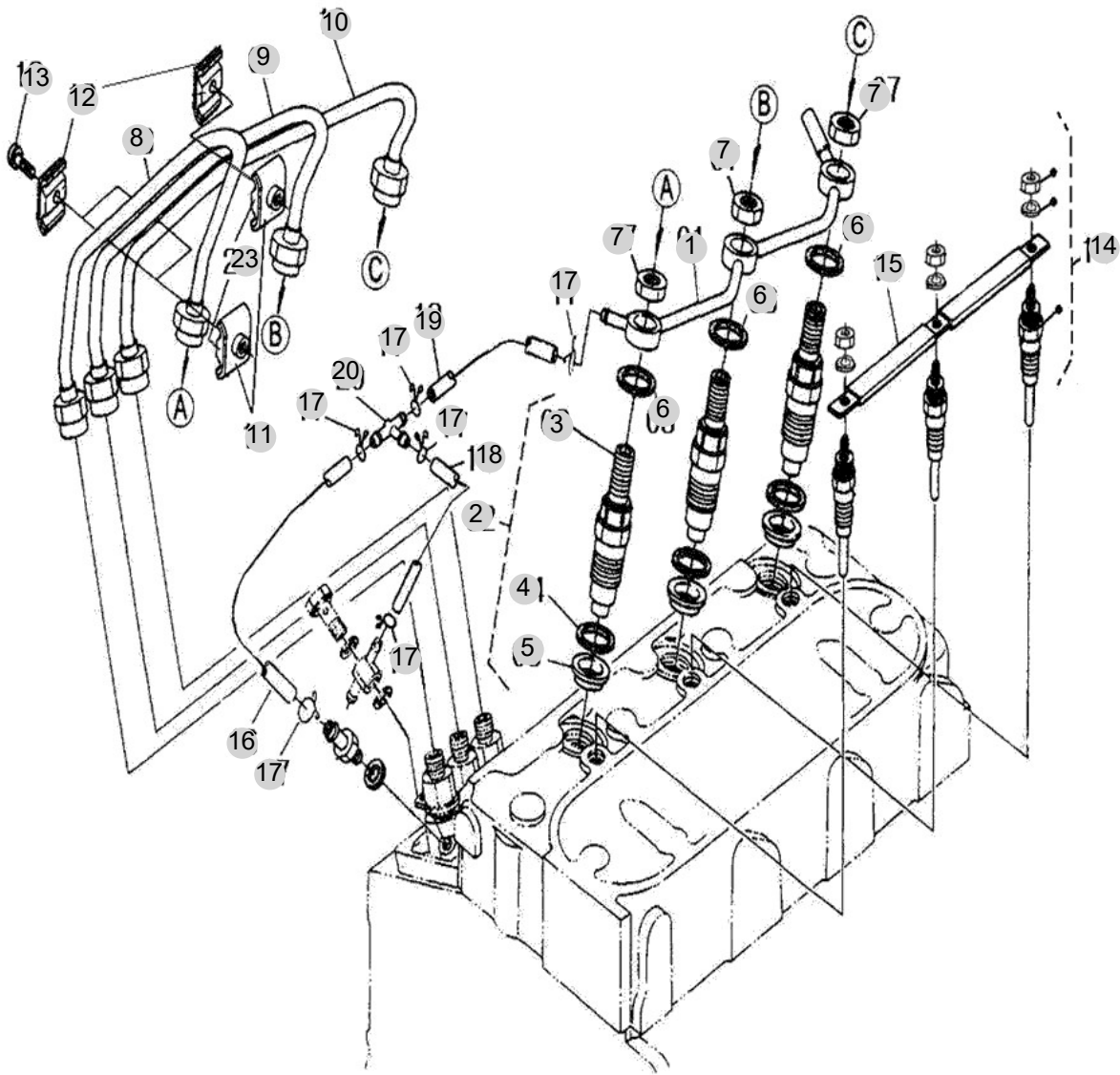
FIG 117

INJECTOR & GLOW PLUG

년/월
Year/Month

2022-12

T265NHEU



NOTE

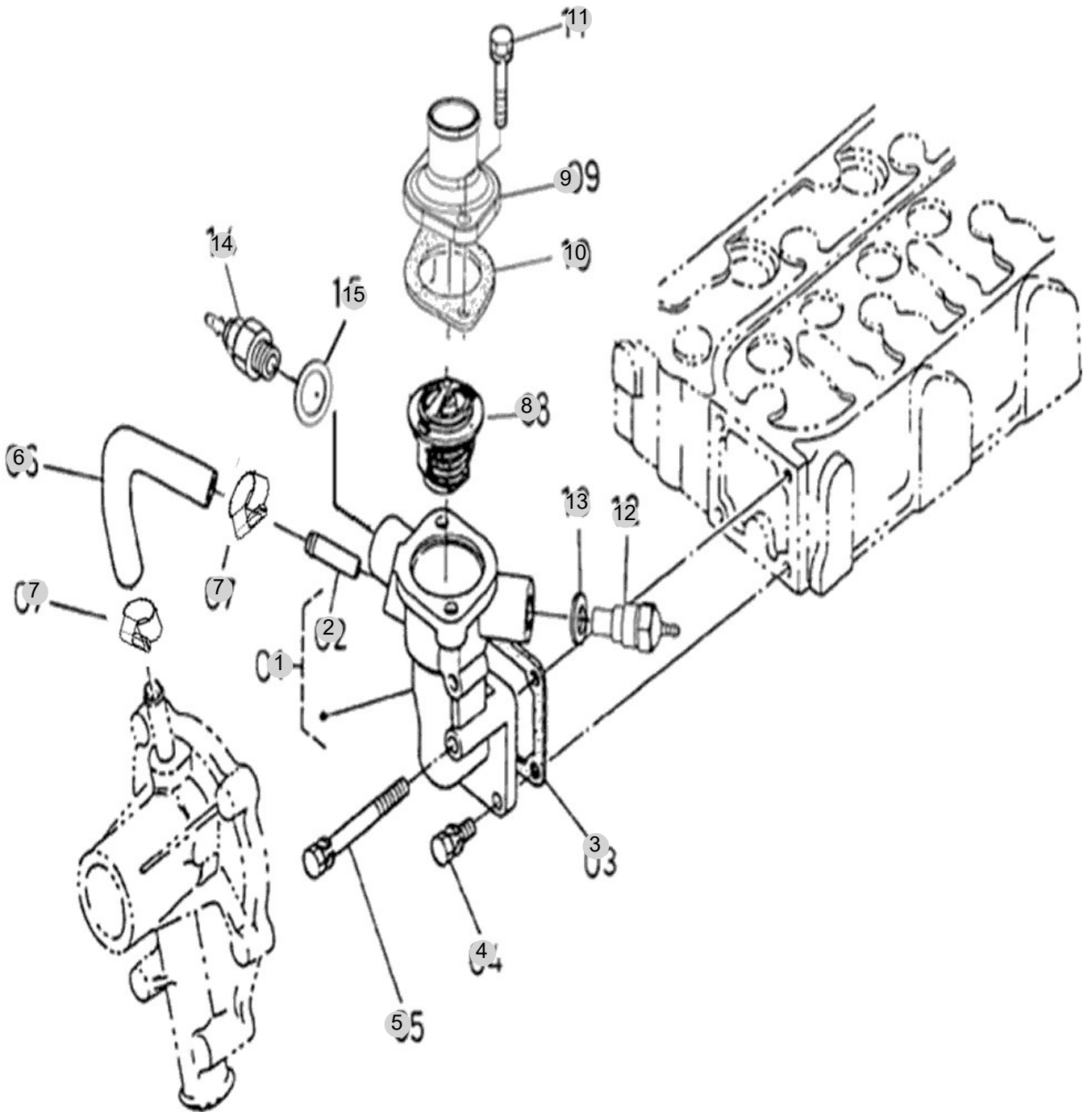
FIG 118

WATER PUMP FLANGE&THERMOSTAT

년/월
Year/Month

2022-12

T265NHEU



NOTE

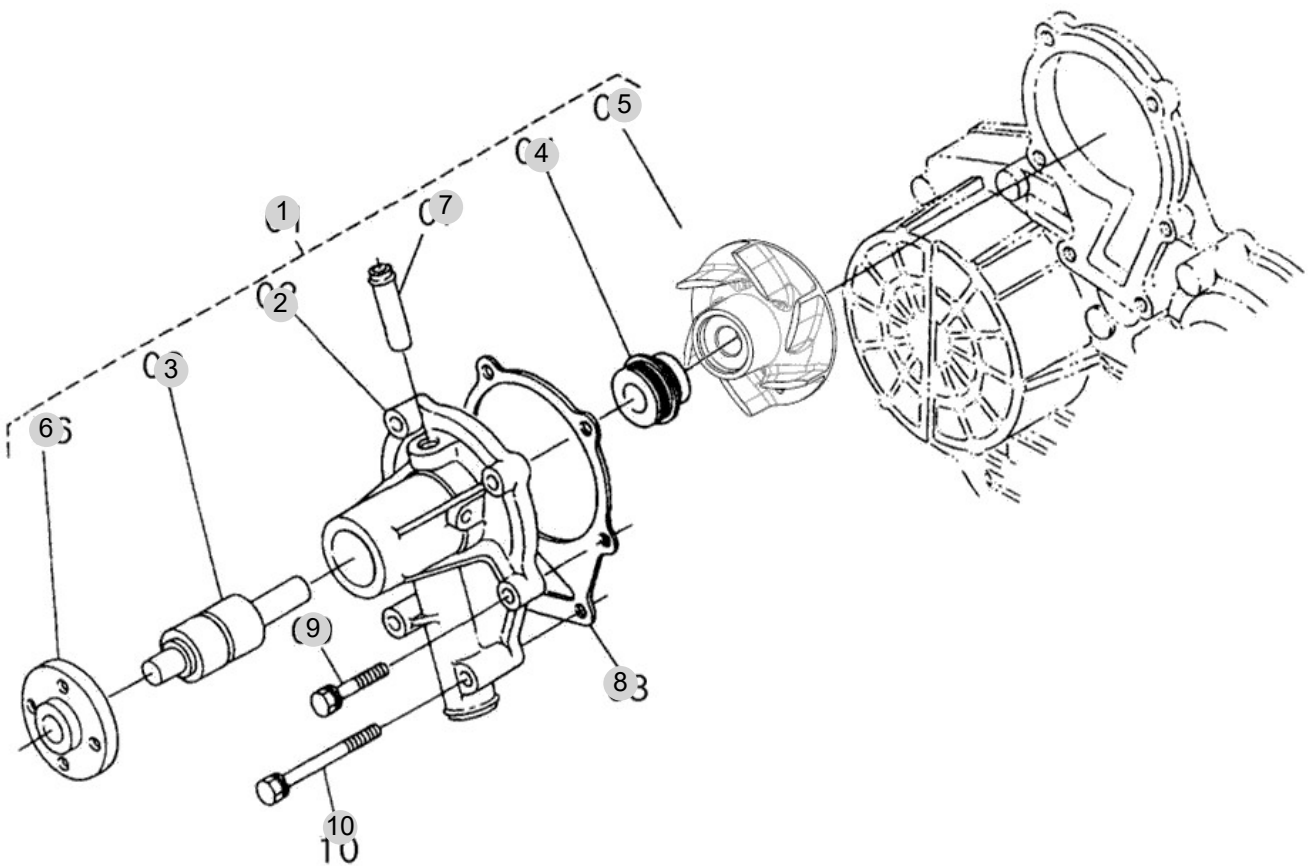
FIG 119

WATER PUMP

년/월
Year/Month

2022-12

T265NHEU



NOTE

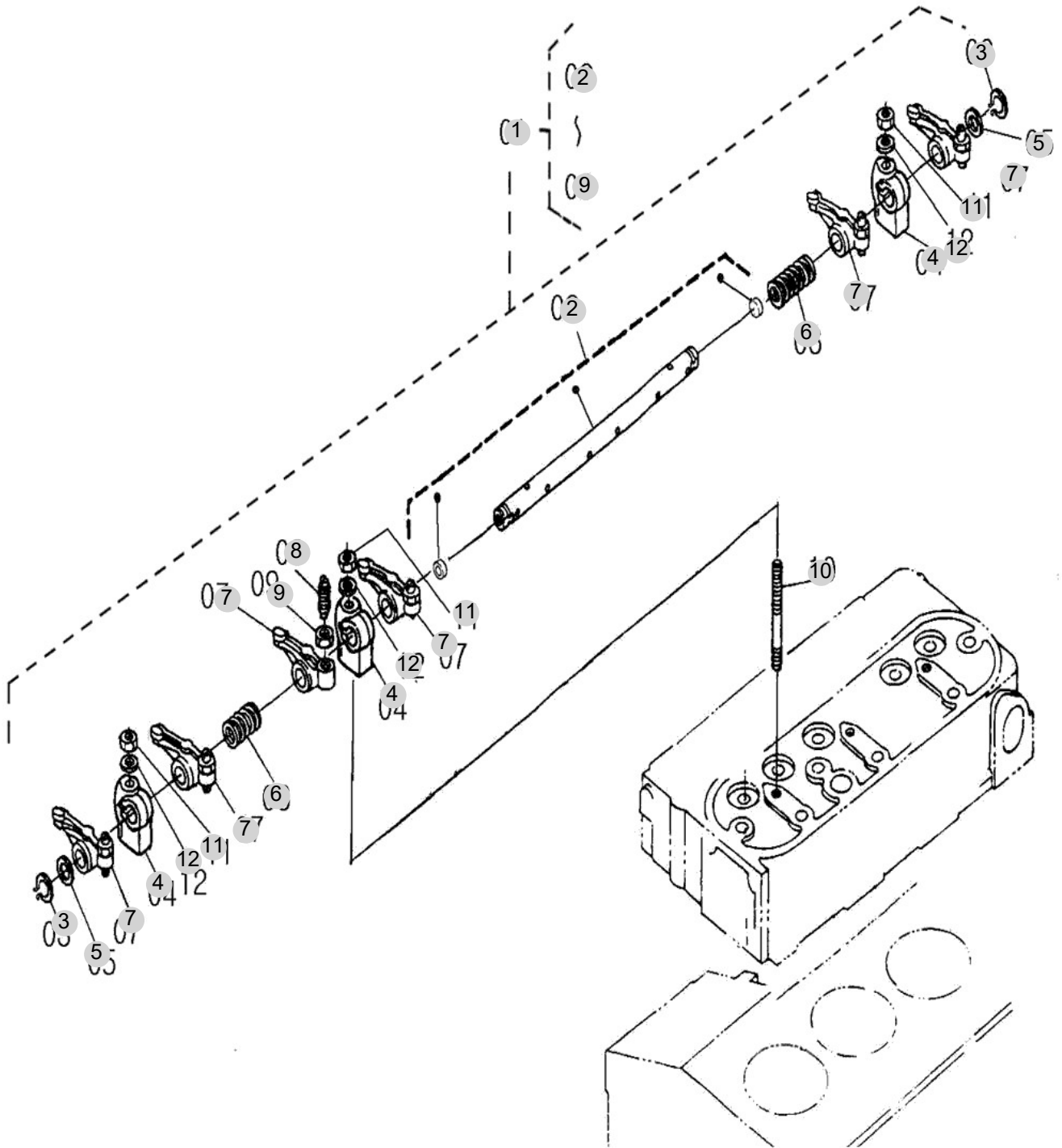
FIG 120

ROCKER ARM

년/월
Year/Month

T265NHEU

2022-12



NOTE

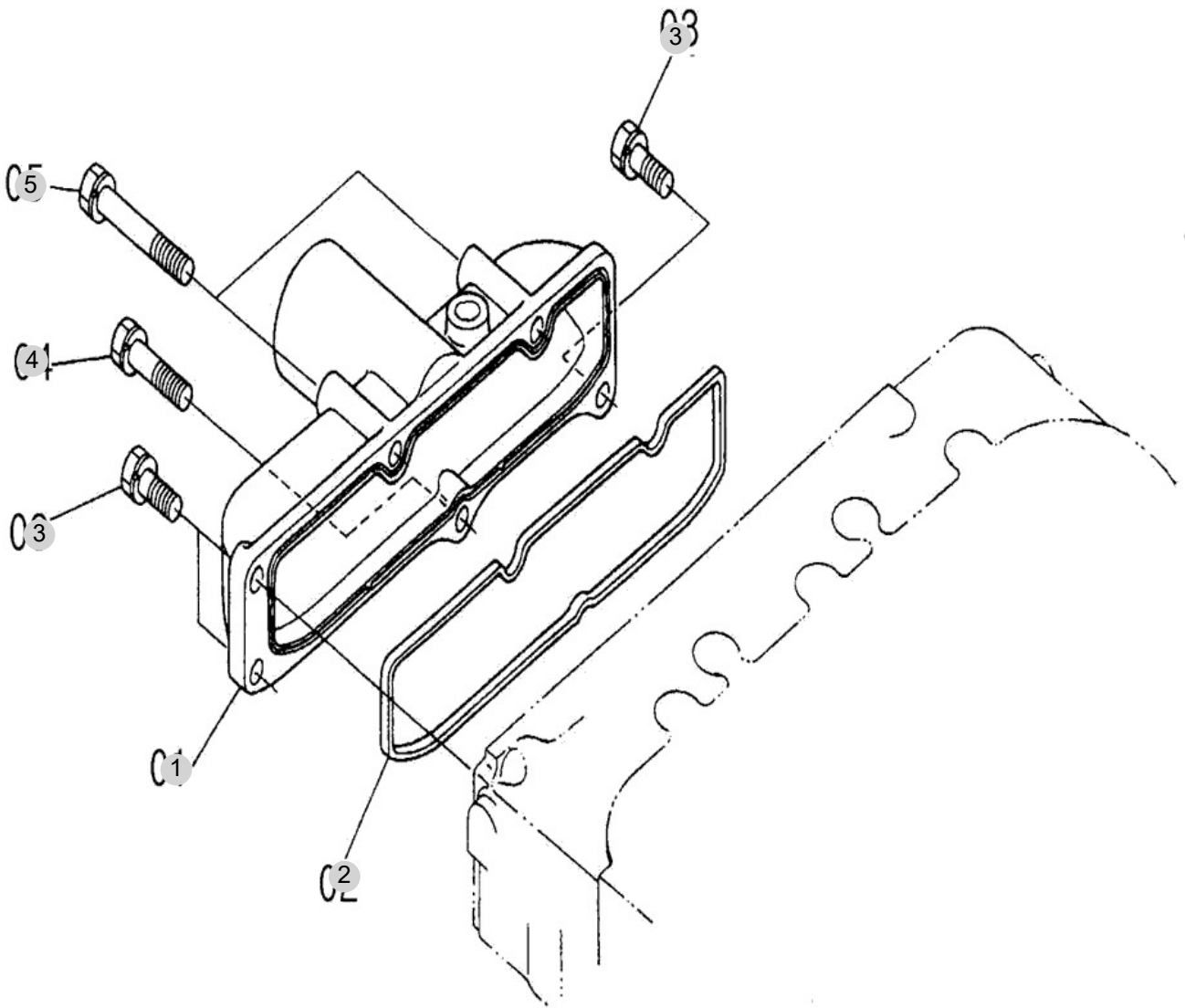
FIG 121

INTAKE MANIFOLD

년/월
Year/Month

2022-12

T265NHEU



NOTE

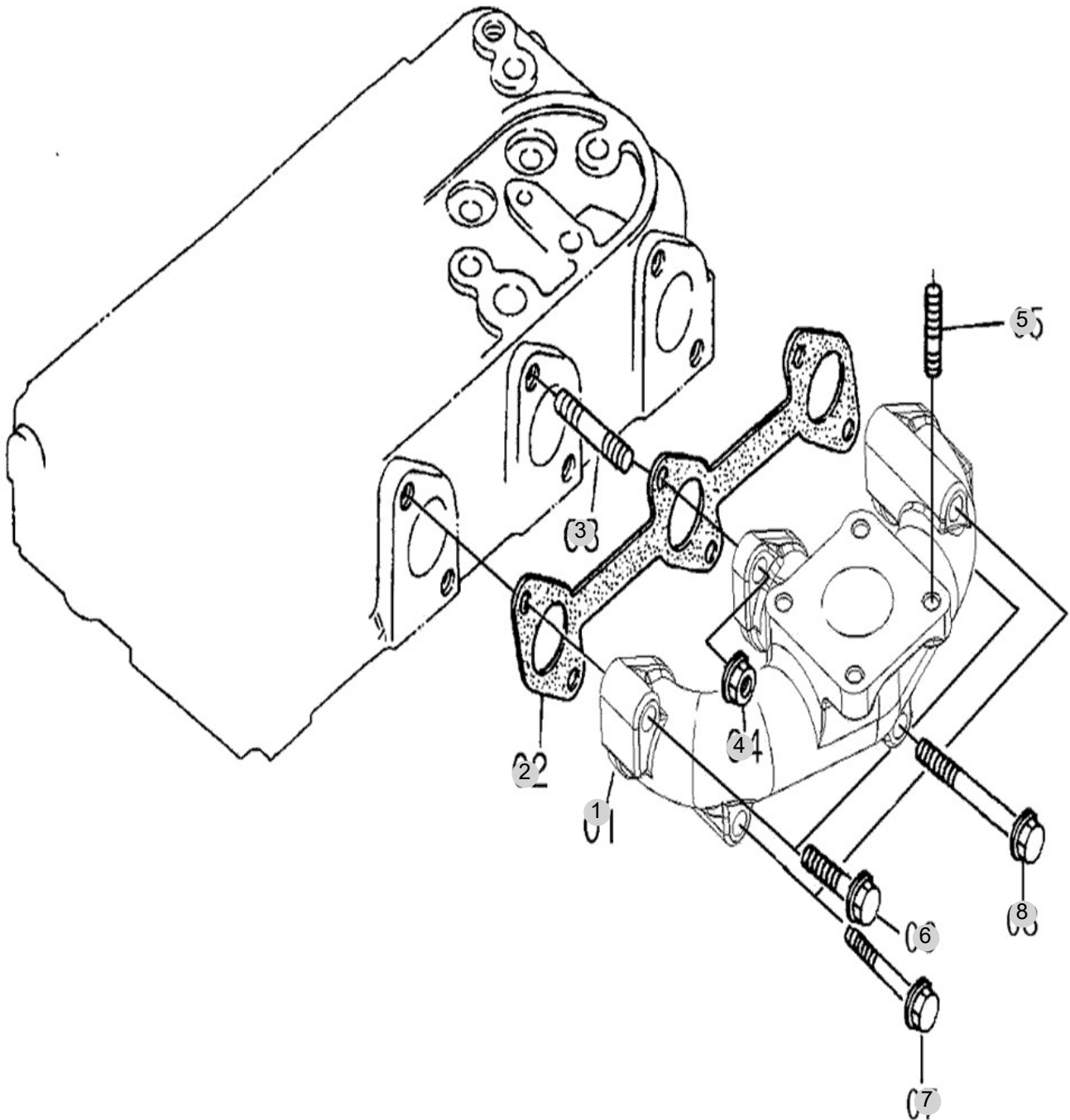
FIG 122

EXHAUST MANIFOLD

년/월
Year/Month

T265NHEU

2022-12



NOTE

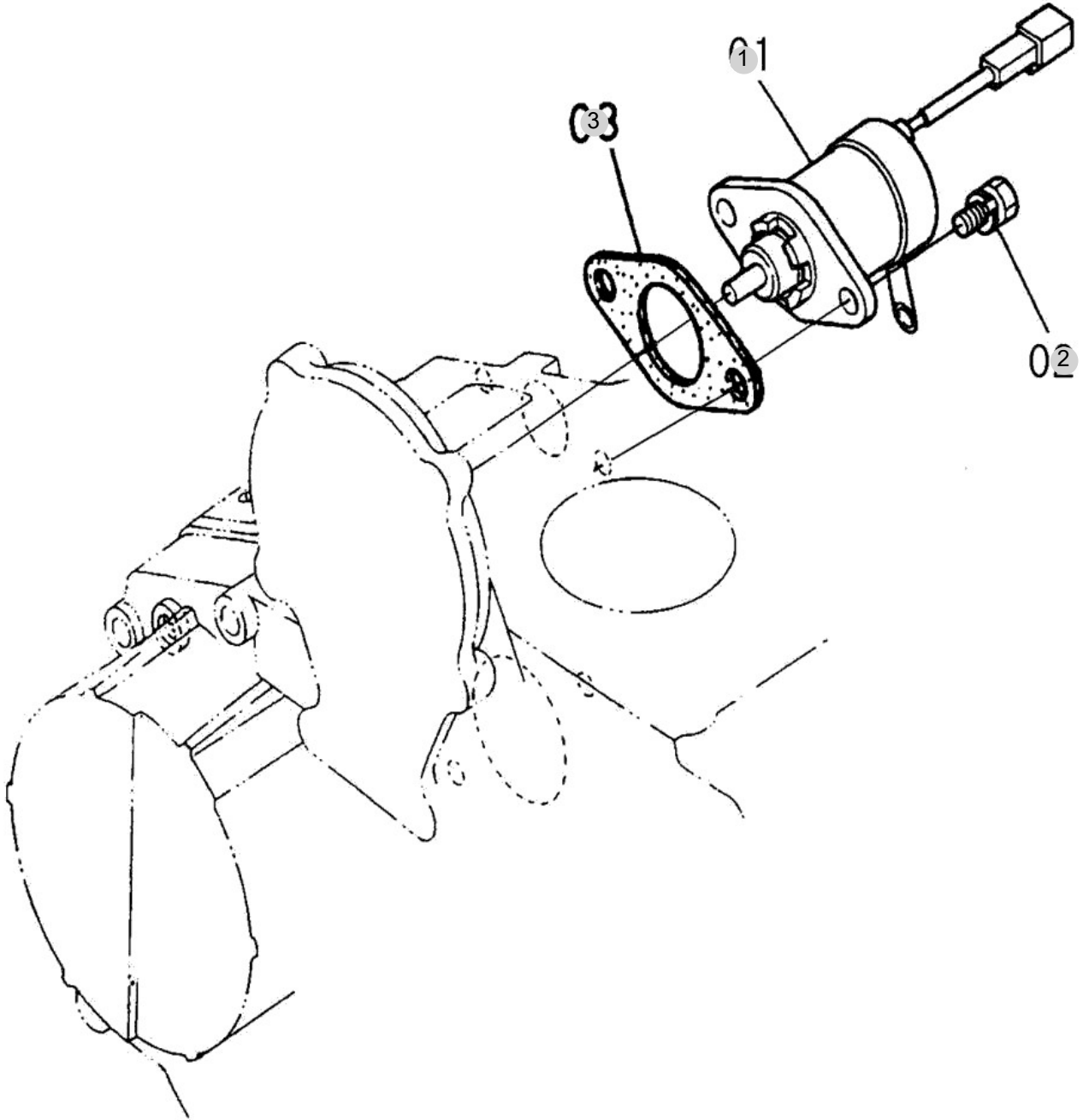
FIG 123

STOP SOLENOID

년/월
Year/Month

2022-12

T265NHEU



NOTE

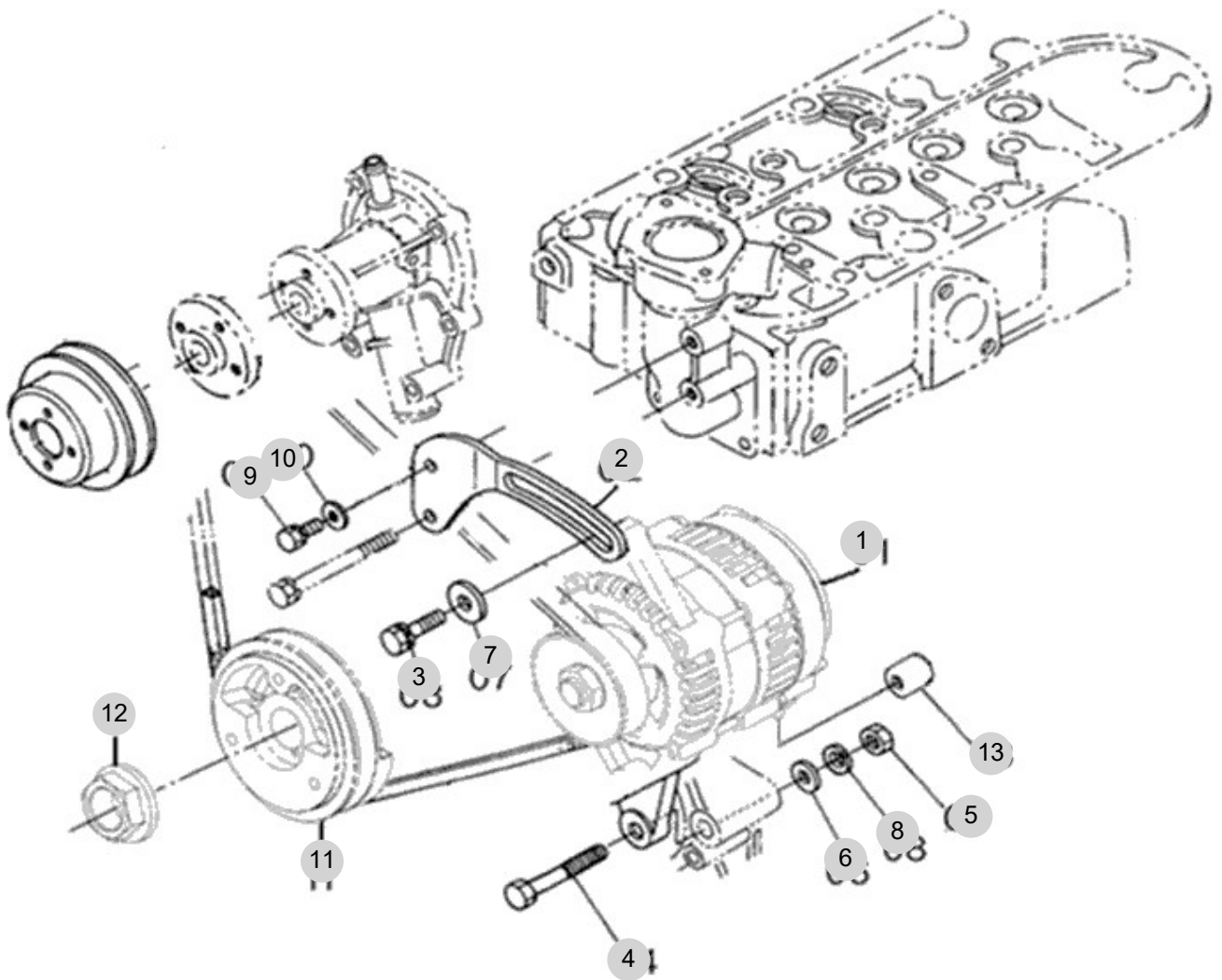
FIG 124

ALTERNATOR & PULLEY

년/월
Year/Month

2022-12

T265NHEU



NOTE

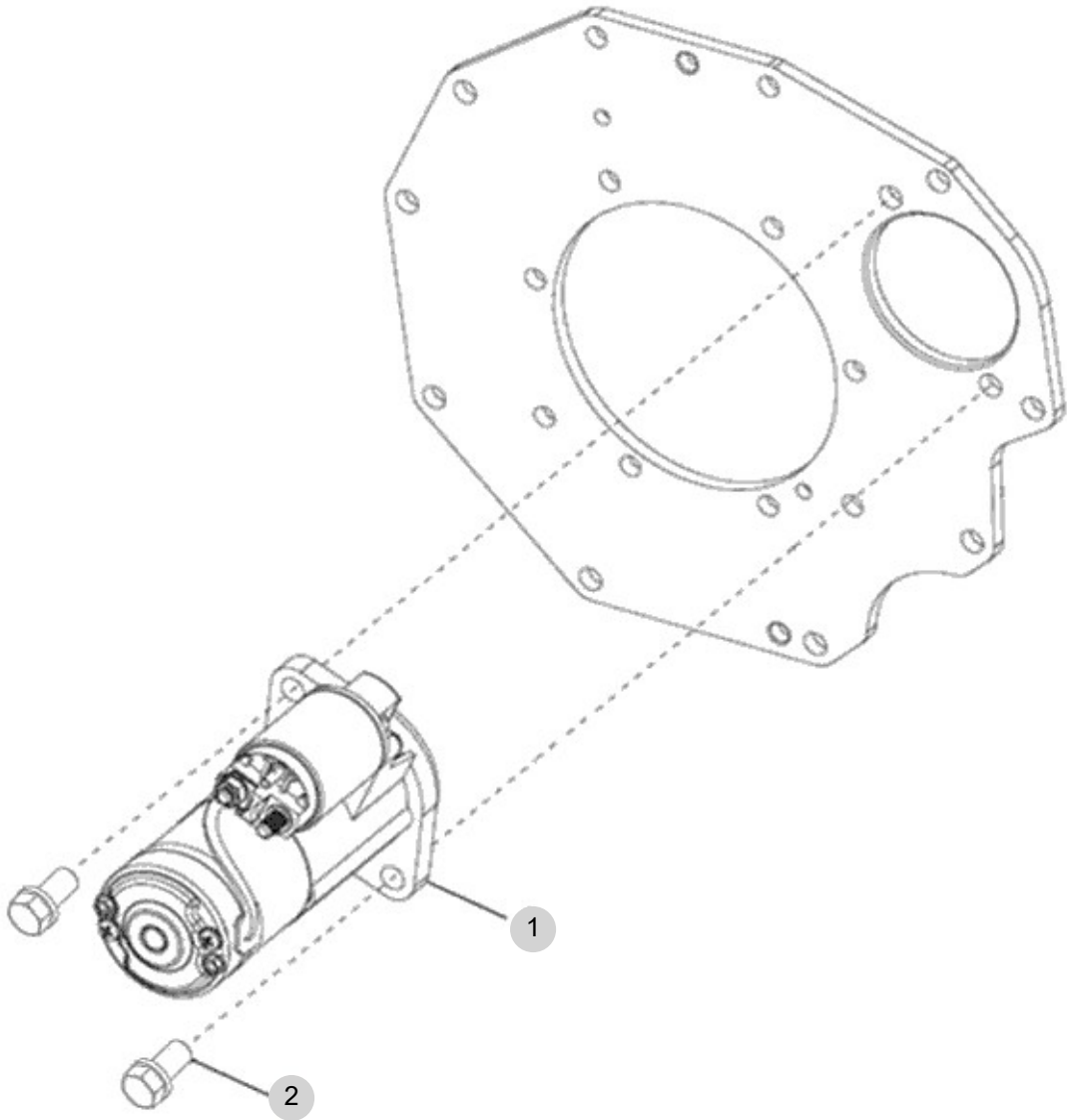
FIG 125

T265NHEU

STARTING MOTOR

년/월
Year/Month

2022-12



NOTE

| FIG 125 | | STARTING MOTOR | | | | | | 년/월 | REMARKS |
|----------|---------|----------------|------------|--------|--------|----------------|--|------------|---------|
| | | | | | | | | Year/Month | |
| T265NHEU | | | | | | | | 2022-12 | |
| KEY NO | PART NO | DESCRIPTION | SPEC | QTY | REPAIR | EFFECTIVE DATE | | REMARKS | |
| 125 | 1 | EA00004199B | 스타터(1.4kW) | | | | | | |
| 125 | 2 | 26013-120252 | 와셔조립육각볼트 | M12X25 | 2 | | | | |
| | | | | | | | | | |
| | | | | | | | | | |
| | | | | | | | | | |
| | | | | | | | | | |
| | | | | | | | | | |
| | | | | | | | | | |
| | | | | | | | | | |
| | | | | | | | | | |
| | | | | | | | | | |
| | | | | | | | | | |
| | | | | | | | | | |
| | | | | | | | | | |
| | | | | | | | | | |
| | | | | | | | | | |
| | | | | | | | | | |
| | | | | | | | | | |
| | | | | | | | | | |
| | | | | | | | | | |
| | | | | | | | | | |
| | | | | | | | | | |
| | | | | | | | | | |
| | | | | | | | | | |
| | | | | | | | | | |
| | | | | | | | | | |
| | | | | | | | | | |
| | | | | | | | | | |
| | | | | | | | | | |
| | | | | | | | | | |
| | | | | | | | | | |
| | | | | | | | | | |
| | | | | | | | | | |
| | | | | | | | | | |
| | | | | | | | | | |
| | | | | | | | | | |
| | | | | | | | | | |
| | | | | | | | | | |
| | | | | | | | | | |
| | | | | | | | | | |
| | | | | | | | | | |
| | | | | | | | | | |
| | | | | | | | | | |
| NOTE | | | | | | | | | |

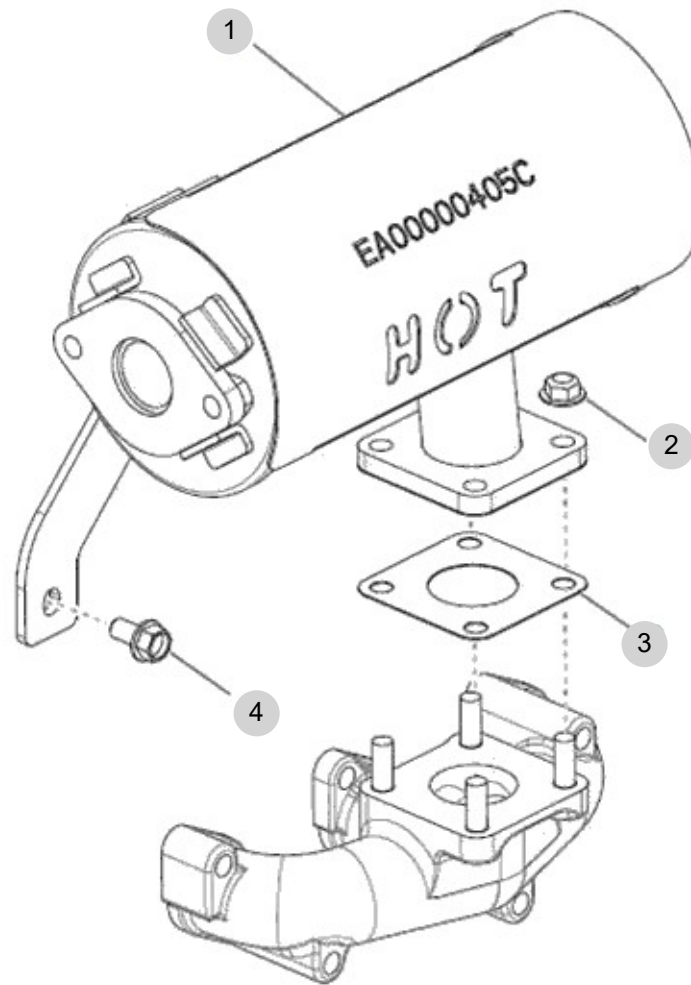
FIG 126

T265NHEU

EXHAUST SILENCER

년/월
Year/Month

2022-12



NOTE

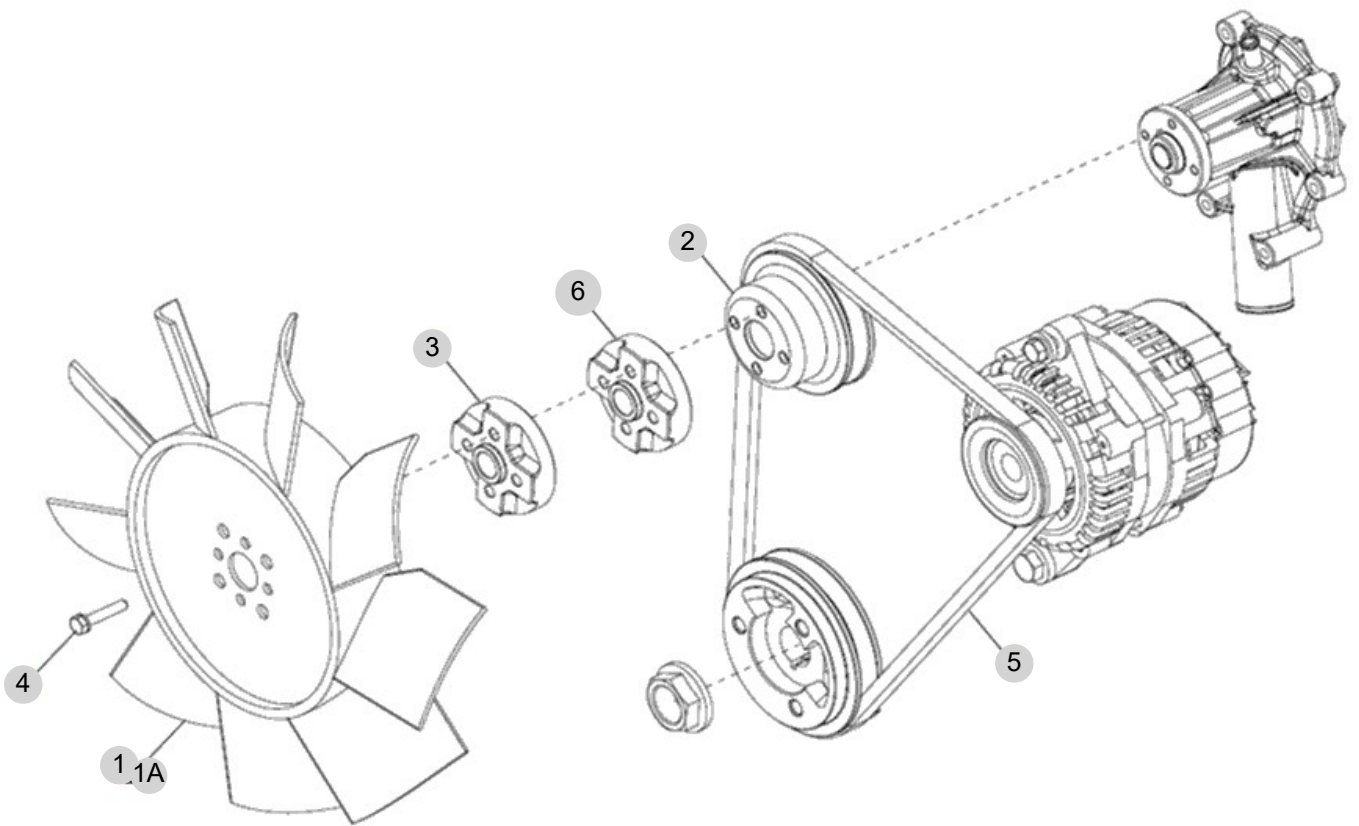
FIG 127

T265NHEU

COOLING PAN

년/월
Year/Month

2022-12



NOTE

| FIG 127 T265NHEU | | COOLING PAN | | | | | 년/월 Year/Month | |
|---------------------|---------|--------------|-------------|-------|-----|--------|-------------------|---------|
| | | | | | | | 2022-12 | |
| KEY NO | PART NO | | DESCRIPTION | SPEC | QTY | REPAIR | EFFECTIVE DATE | REMARKS |
| 127 | 1 | EA00005385A | 냉각팬(330) | Ø330 | 1 | | | |
| 127 | 1A | EA00002191B | 냉각팬(310) | | 1 | | | |
| 127 | 2 | EA00003006A | 팬 폴리 | | 1 | | | |
| 127 | 3 | EA00002199B | 스페이서 | 20mm | 1 | | | |
| 127 | 4 | 26013-060452 | 와셔조립육각볼트 | M6X45 | 1 | | | |
| 127 | 5 | EA00002552A | V-벨트(37.5") | | 1 | | | |
| 127 | 6 | EA00005906A | 스페이서 | 10mm | 1 | | | |
| | | | | | | | | |
| | | | | | | | | |
| | | | | | | | | |
| | | | | | | | | |
| | | | | | | | | |
| | | | | | | | | |
| | | | | | | | | |
| | | | | | | | | |
| | | | | | | | | |
| | | | | | | | | |
| | | | | | | | | |
| | | | | | | | | |
| | | | | | | | | |
| | | | | | | | | |
| | | | | | | | | |
| | | | | | | | | |
| | | | | | | | | |
| | | | | | | | | |
| | | | | | | | | |
| | | | | | | | | |
| | | | | | | | | |
| | | | | | | | | |
| | | | | | | | | |
| | | | | | | | | |
| | | | | | | | | |
| | | | | | | | | |
| | | | | | | | | |
| | | | | | | | | |
| | | | | | | | | |
| | | | | | | | | |
| | | | | | | | | |
| | | | | | | | | |
| | | | | | | | | |
| | | | | | | | | |
| | | | | | | | | |
| | | | | | | | | |
| | | | | | | | | |
| | | | | | | | | |
| | | | | | | | | |
| NOTE | | | | | | | | |

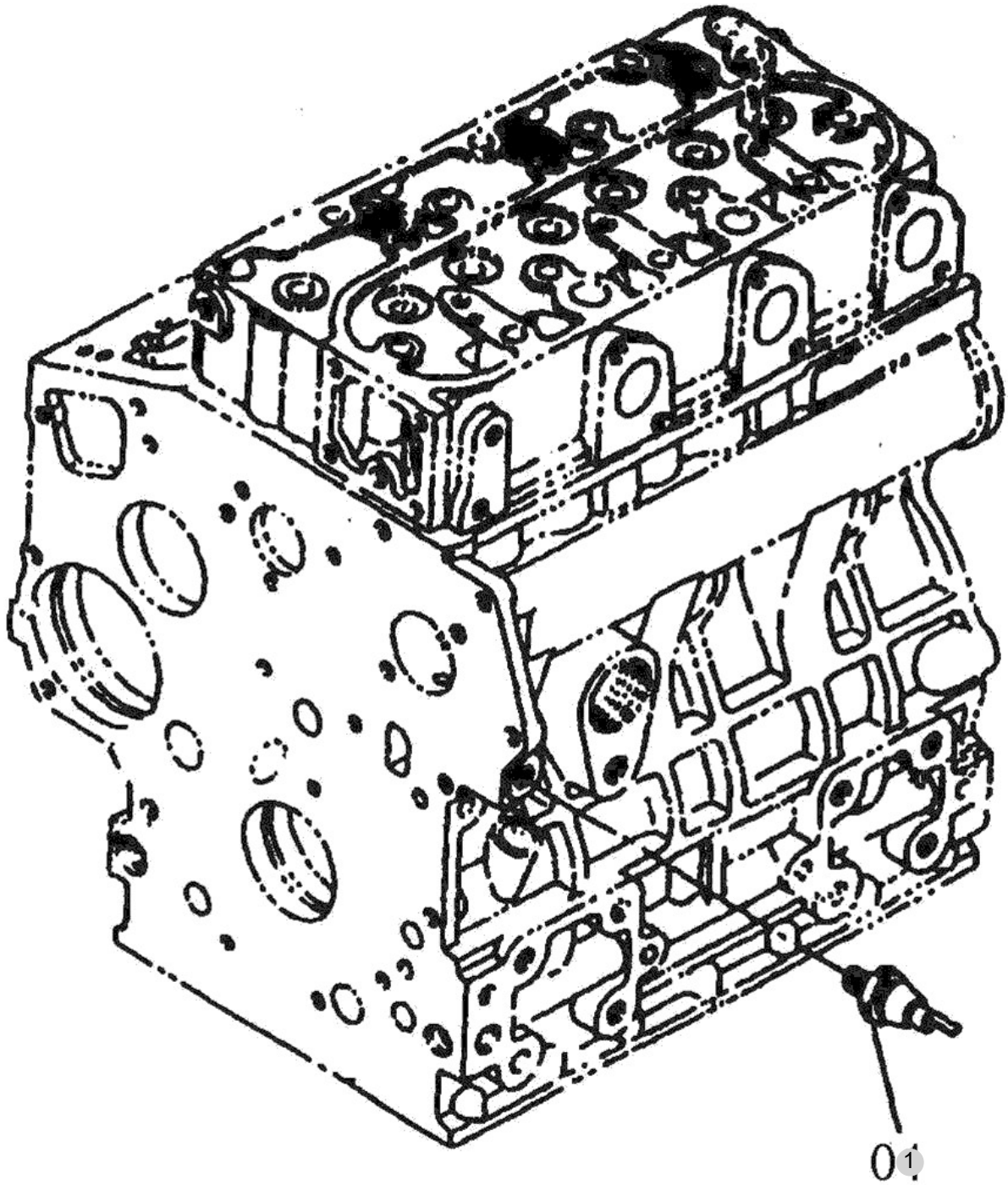
FIG 128

OIL PRESSURE SWITCH

년/월
Year/Month

2022-12

T265NHEU



NOTE

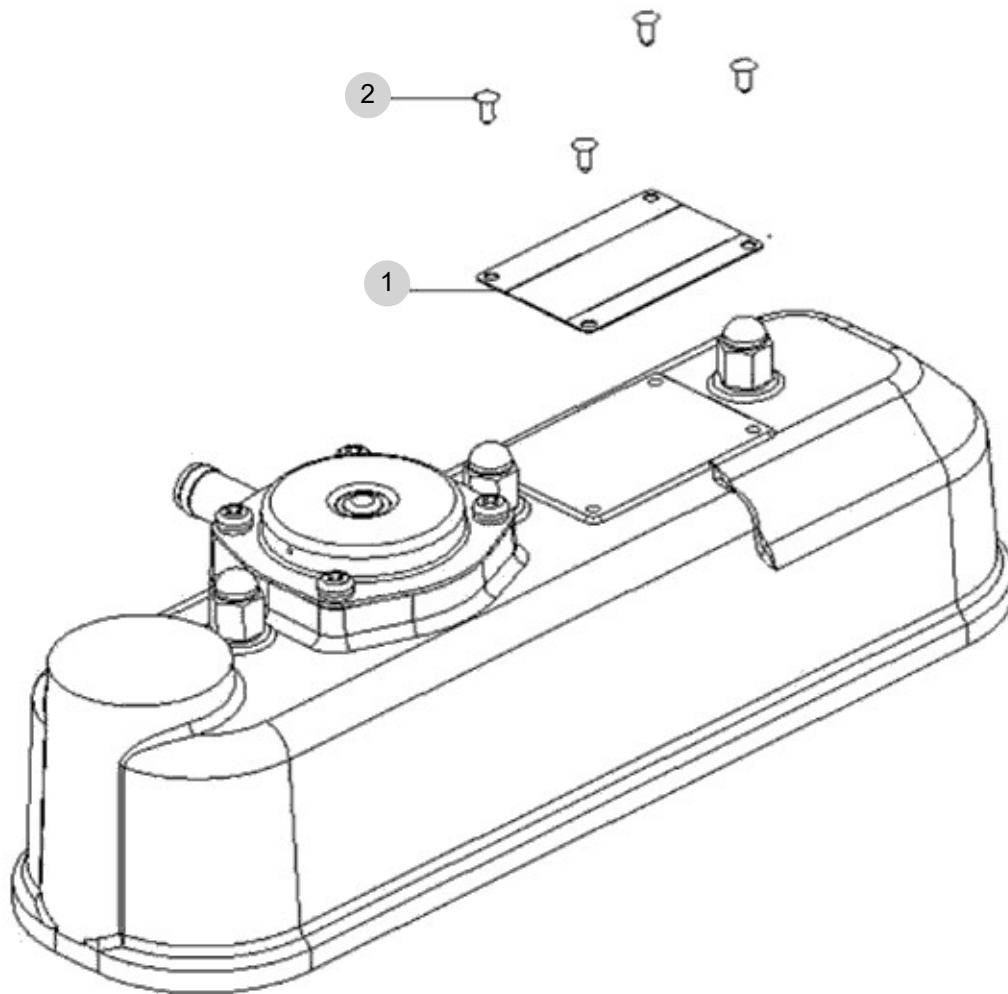
FIG 129

T265NHEU

DATA PLATE

년/월
Year/Month

2022-12



NOTE

| KEY NO | | PART NO | DESCRIPTION | SPEC | QTY | REPAIR | 년/월 Year/Month | REMARKS |
|---------------------|---|--------------|-------------|------|-----|--------|-------------------|---------|
| | | | | | | | 2022-12 | |
| FIG 129 T265NHEU | | DATA PLATE | | | | | | |
| 129 | 1 | EA00006205B | 엔진명판 | | 1 | | | |
| 129 | 2 | 22685-320601 | 블라인드리벳 | | 4 | | | |
| | | | | | | | | |
| | | | | | | | | |
| | | | | | | | | |
| | | | | | | | | |
| | | | | | | | | |
| | | | | | | | | |
| | | | | | | | | |
| | | | | | | | | |
| | | | | | | | | |
| | | | | | | | | |
| | | | | | | | | |
| | | | | | | | | |
| | | | | | | | | |
| | | | | | | | | |
| | | | | | | | | |
| | | | | | | | | |
| | | | | | | | | |
| | | | | | | | | |
| | | | | | | | | |
| | | | | | | | | |
| | | | | | | | | |
| | | | | | | | | |
| | | | | | | | | |
| | | | | | | | | |
| | | | | | | | | |
| | | | | | | | | |
| | | | | | | | | |
| | | | | | | | | |
| | | | | | | | | |
| | | | | | | | | |
| | | | | | | | | |
| | | | | | | | | |
| | | | | | | | | |
| | | | | | | | | |
| | | | | | | | | |
| NOTE | | | | | | | | |

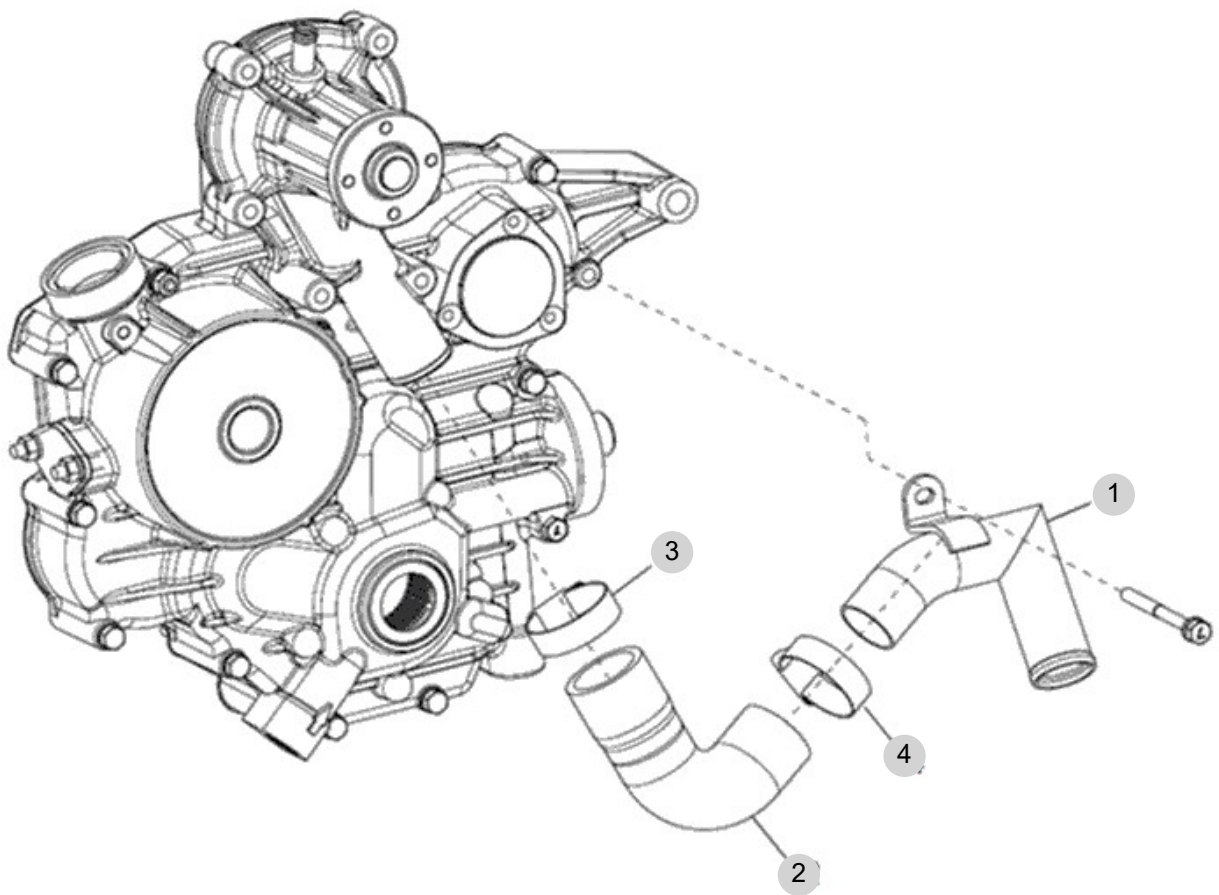
FIG 130

WATER PIPE

년/월
Year/Month

T265NHEU

2022-12



NOTE

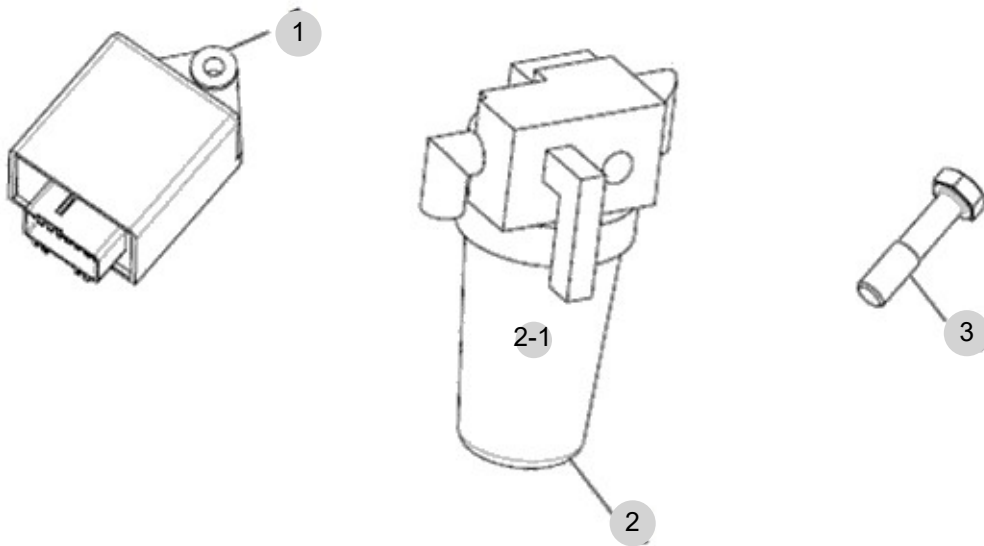
FIG 131

T265NHEU

WATER PIPE

년/월
Year/Month

2022-12



NOTE

2. 엔진보기품 PART NO. T2

| | |
|-------------------------------|----|
| FIG 201 AIR CLEANER | 70 |
| FIG 202 RADIATOR | 72 |
| FIG 203 MUFFLER | 74 |
| FIG 204 FUEL TANK & FUEL LINE | 76 |
| FIG 205 ACCELERATOR | 78 |
| FIG 206 OIL COOLER | 80 |

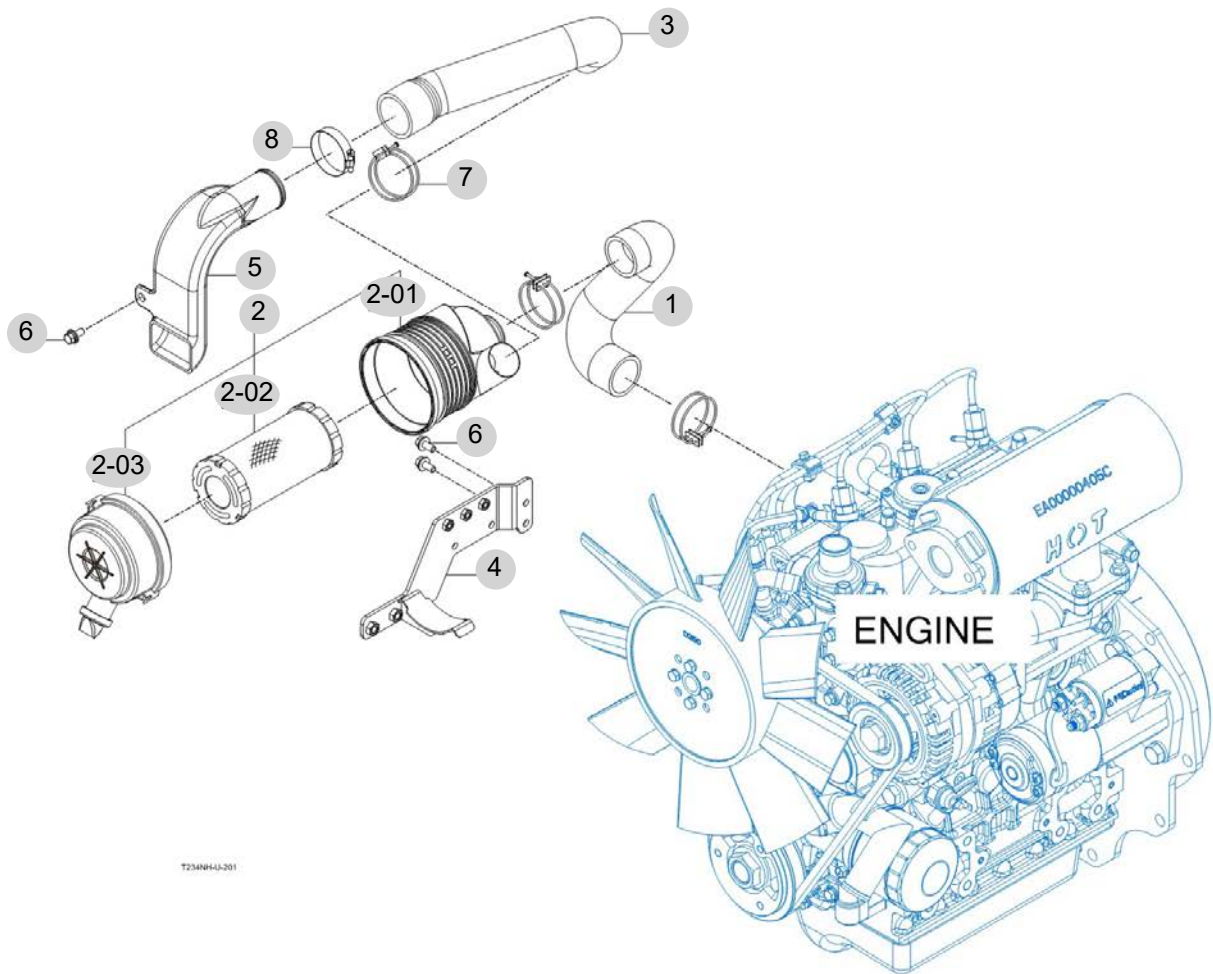
FIG 201

AIR CLEANER

년/월
Year/Month

T265NHEU

2022-12



NOTE

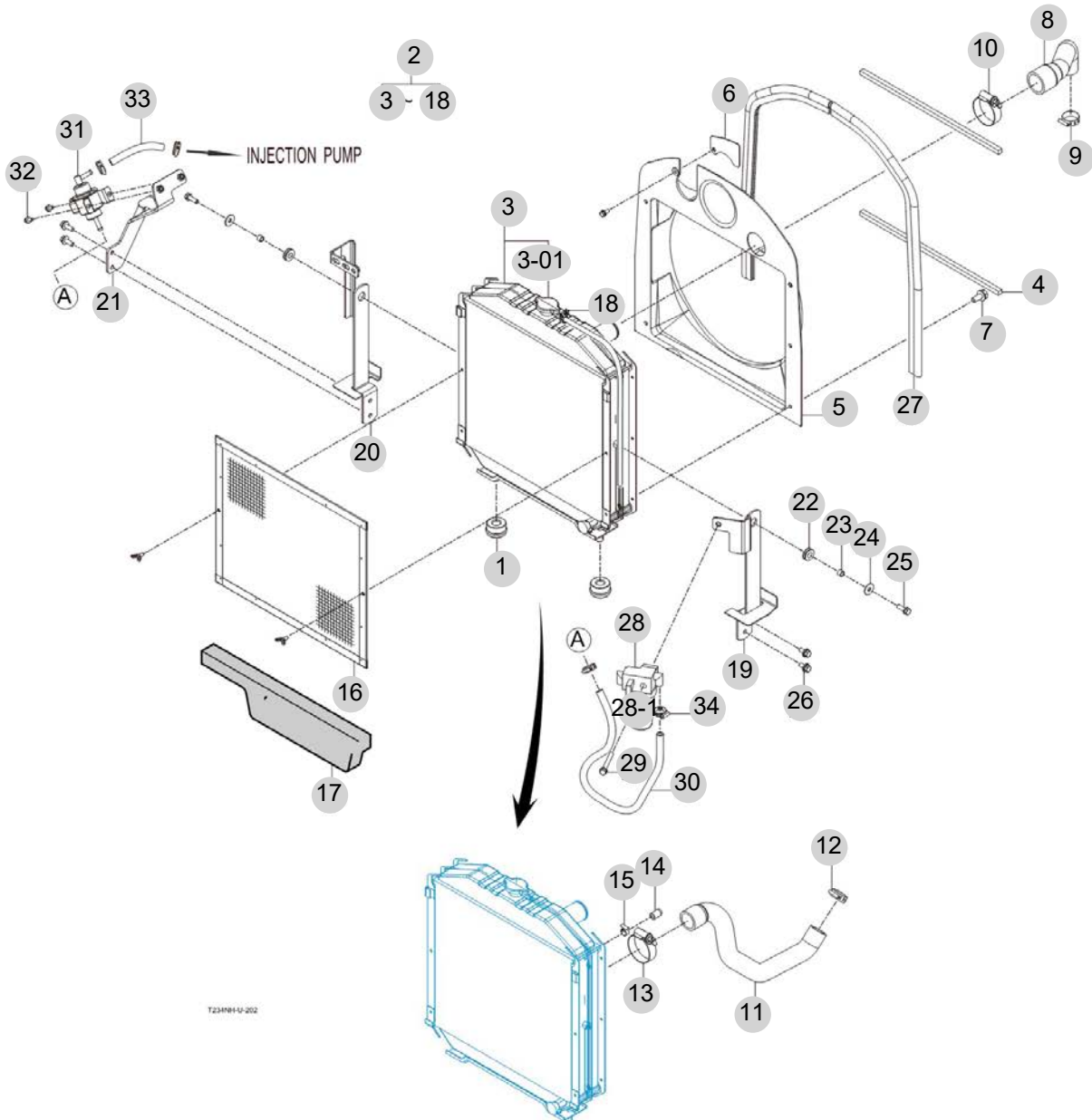
FIG 202

RADIATOR

년/월
Year/Month

2022-12

T265NHEU



T265NHEU-202

NOTE

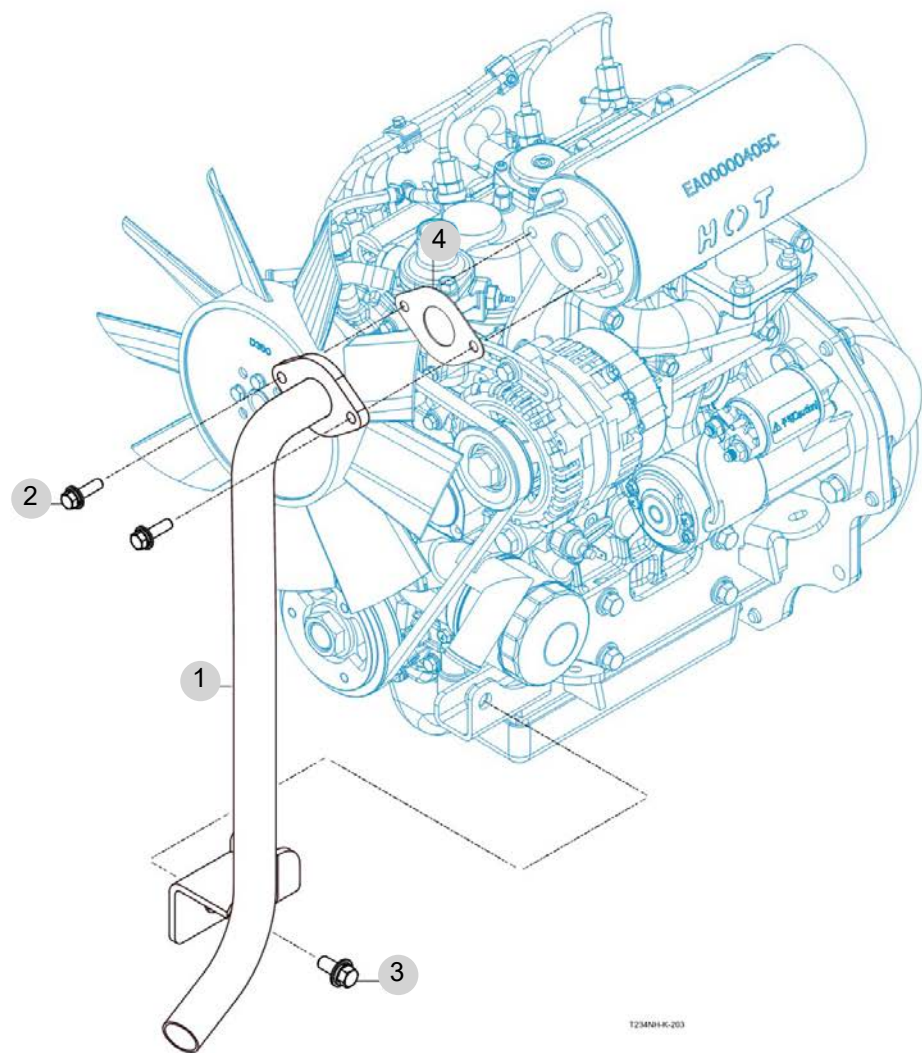
FIG 203

T265NHEU

MUFFLER

년/월
Year/Month

2022-12



NOTE

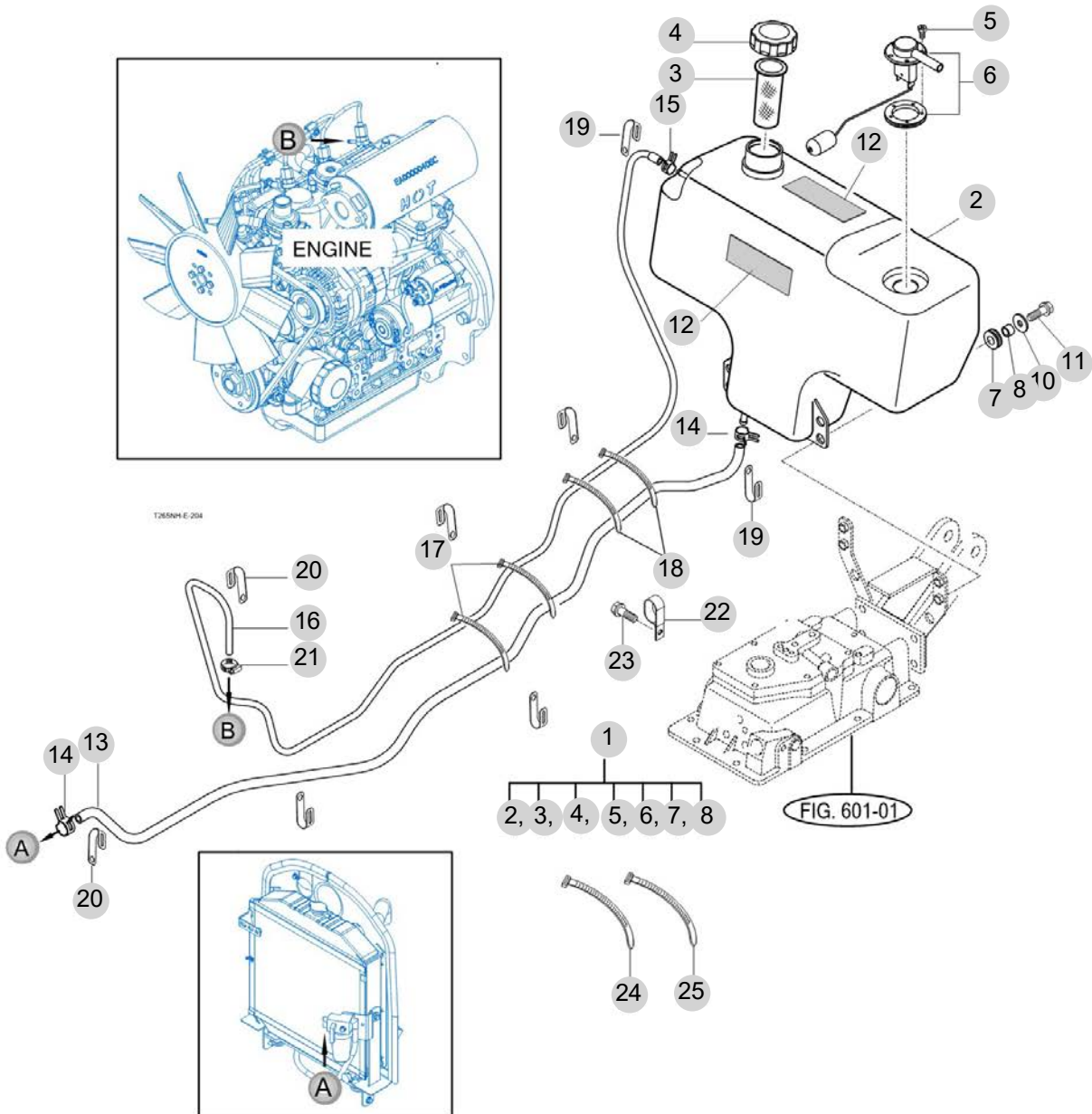
FIG 204

T265NHEU

FUEL TANK & FUEL LINE

년/월
Year/Month

2022-12



NOTE

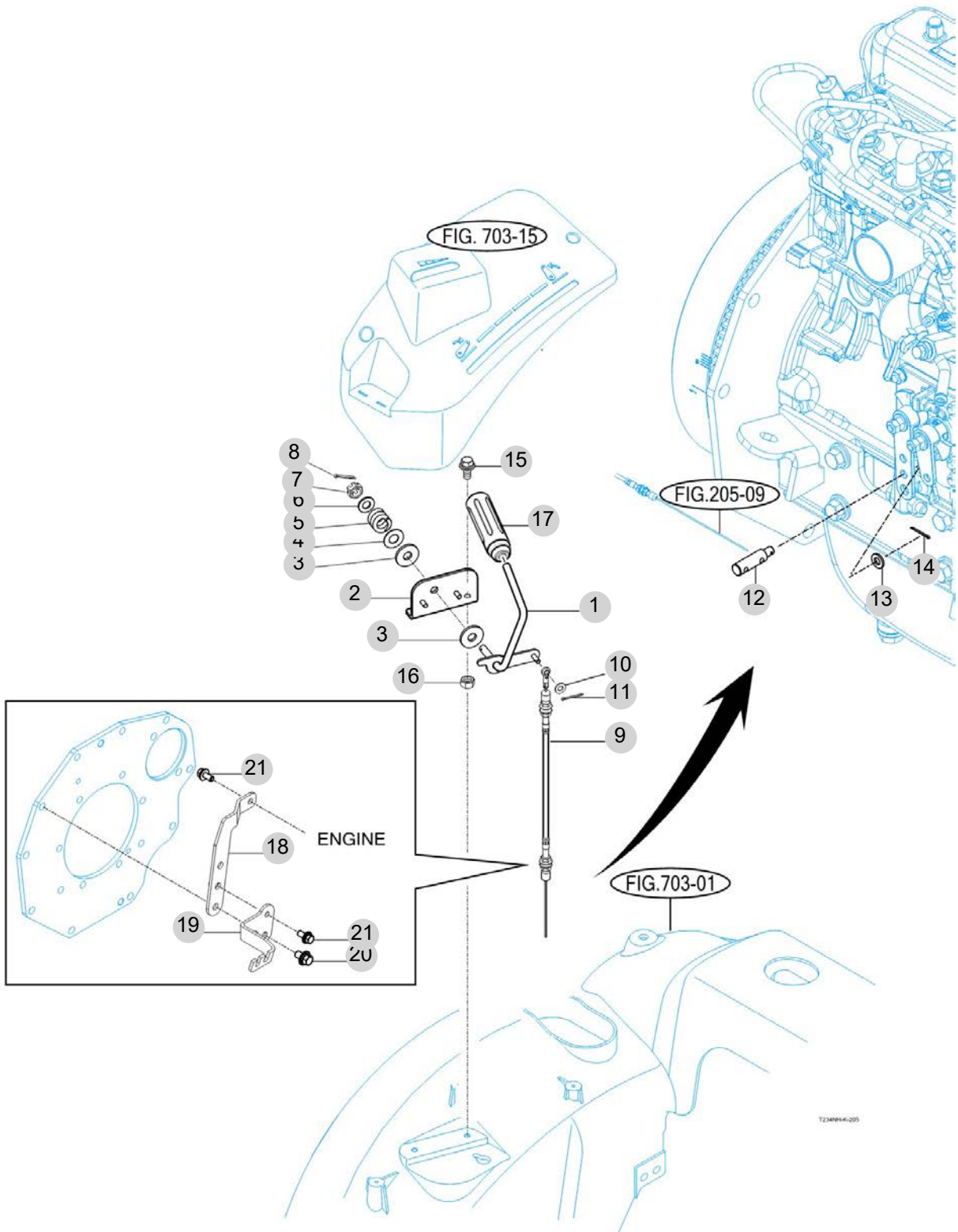
FIG 205

ACCELERATOR

년/월
Year/Month

T265NHEU

2022-12



NOTE

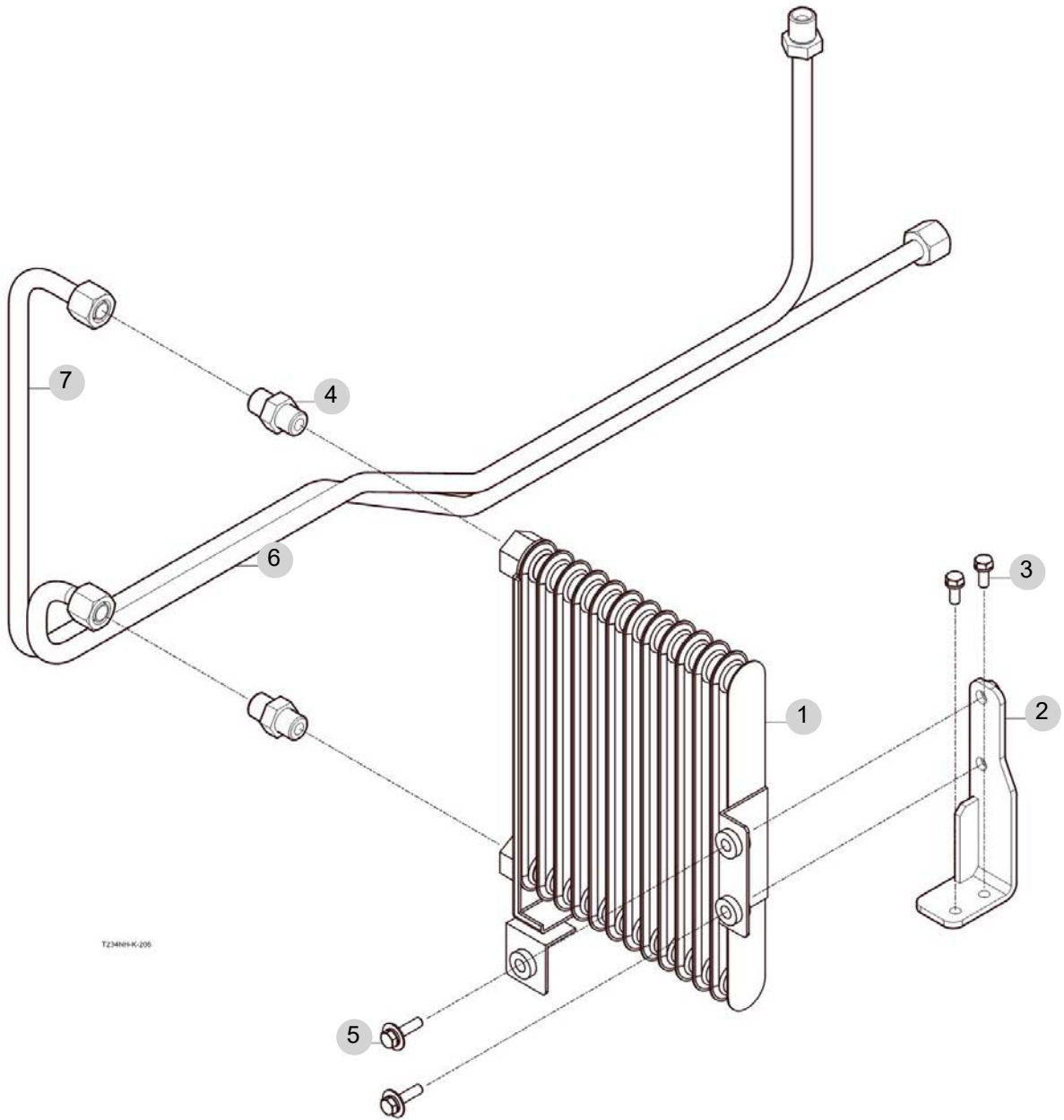
FIG 206

OIL COOLER

년/월
Year/Month

T265NHEU

2022-12



T234NFK-206

NOTE

3. 클러치/브레이크/스티어링 PART NO. T3

| | |
|-------------------------------------|-----|
| FIG 301 FLYWHEEL COVER | 83 |
| FIG 302 SPEED CONTROL | 85 |
| FIG 303 BRAKE | 88 |
| FIG 304 BRAKE PEDAL & LINKAGE | 90 |
| FIG 305 STEERING WHEEL & DASH COVER | 92 |
| FIG 306 STEERING VALVE | 94 |
| FIG 307 STEERING CYLINDER | 96 |
| FIG 308 FRONT WHEEL | 98 |
| FIG 309 REAR WHEEL | 100 |

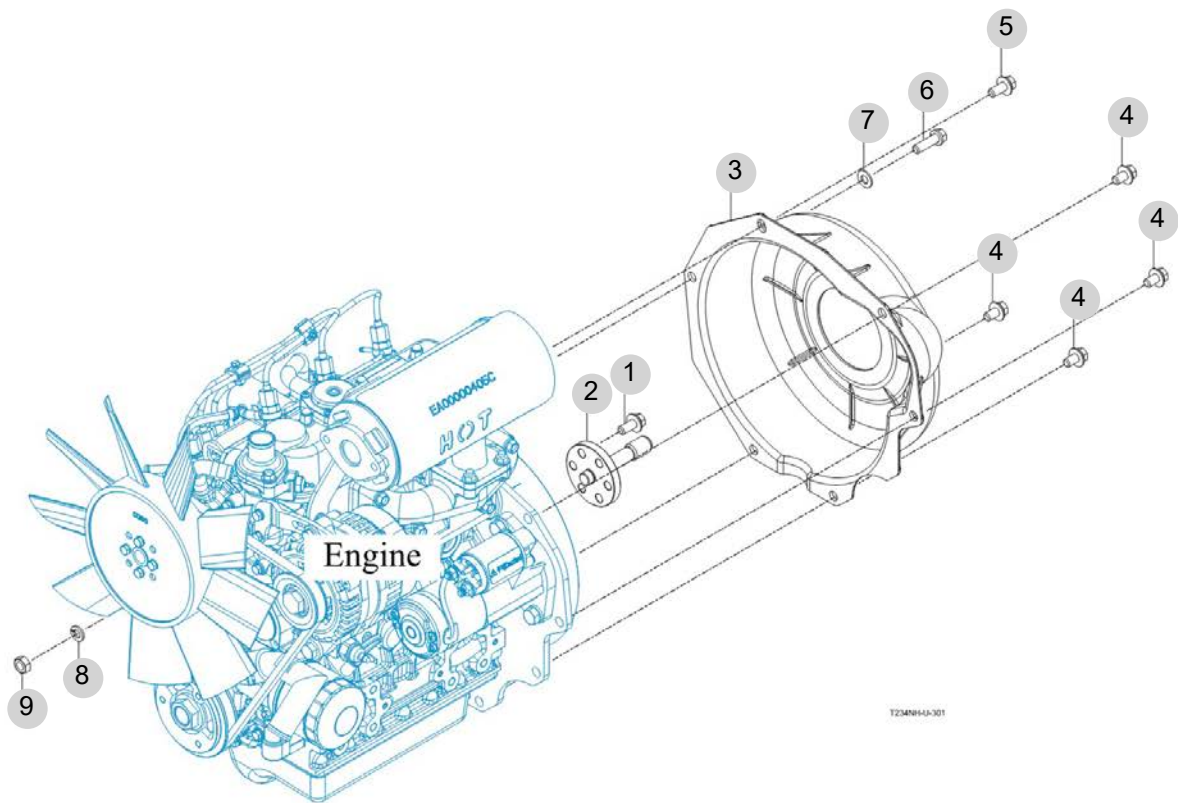
FIG 301

T265NHEU

FLYWHEEL COVER

년/월
Year/Month

2022-12



NOTE

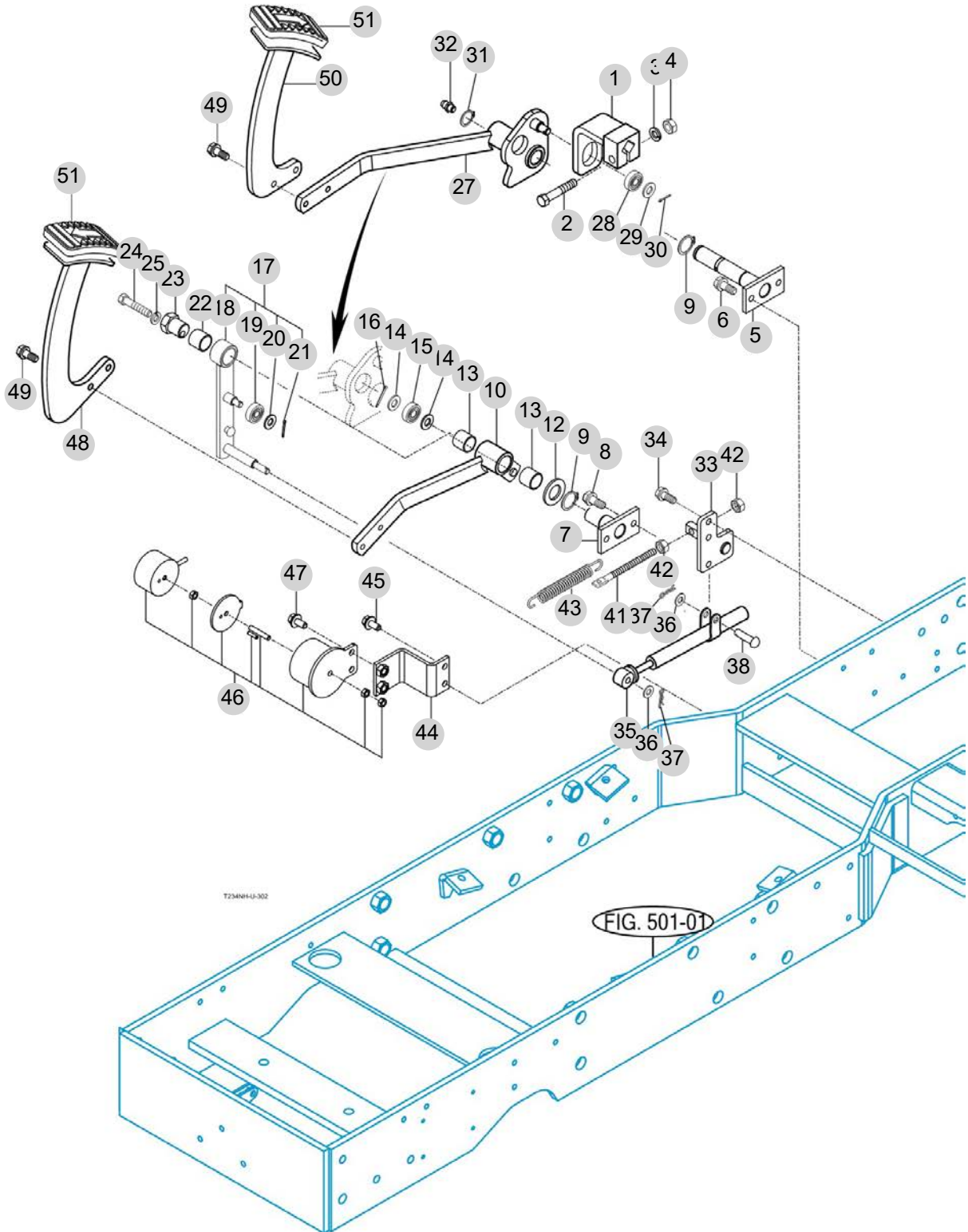
FIG 302

SPEED CONTROL

년/월
Year/Month

2022-12

T265NHEU



NOTE

| FIG 302 | | SPEED CONTROL | | | | | 년/월 | |
|----------|---------|---------------|---------------|--------|--------|----------------|------------|--|
| | | | | | | | Year/Month | |
| T265NHEU | | 2022-12 | | | | | | |
| KEY NO | PART NO | DESCRIPTION | SPEC | QTY | REPAIR | EFFECTIVE DATE | REMARKS | |
| 302 | 1 | 13152322103 | 홀더 COMP | | 1 | | | |
| 302 | 2 | V2013610045 | 소형육각볼트(보통) | M10X45 | 1 | | | |
| 302 | 3 | V4011600100 | 스프링와셔 | M10 | 1 | | | |
| 302 | 4 | V3042600100 | 소형육각너트보통2종 | M10 | 1 | | | |
| 302 | 5 | 13152322201 | 핀(후진) COMP | | 1 | | | |
| 302 | 6 | V2173608020 | 소형육각볼트보통(S) | M8X20 | 2 | | | |
| 302 | 7 | 13152323102 | 핀(전진) COMP | | 1 | | | |
| 302 | 8 | V2173608020 | 소형육각볼트보통(S) | M8X20 | 2 | | | |
| 302 | 9 | V7041400200 | C형멈춤링(축용) | 20 | 2 | | | |
| 302 | 10 | 13152323202 | 암(전진) COMP | | 1 | | | |
| 302 | 12 | V4111600200 | 평와셔 | M20 | 1 | | | |
| 302 | 13 | 36707030080 | 부시(20X23X20) | | 2 | | | |
| 302 | 14 | V4111600100 | 평와셔 | M10 | 2 | | | |
| 302 | 15 | V6001506000 | 볼베어링 | 6000DD | 1 | | | |
| 302 | 16 | V5001920015 | 분할핀 | 2X15 | 1 | | | |
| 302 | 17 | 13152324003 | 캠 SUB ASSY | | 1 | | | |
| 302 | 17 | 11972324000 | 캠 SUB ASSY | | 1 | | | |
| 302 | 18 | 13152324102GB | 암(캠) COMP | | 1 | | | |
| 302 | 19 | 14722310060 | 볼베어링(608DD) | | 1 | | | |
| 302 | 20 | V4111600080 | 평와셔 | M8 | 1 | | | |
| 302 | 21 | V5001920015 | 분할핀 | 2x15 | 1 | | | |
| 302 | 22 | 36707030080 | 부시(20X23X20) | | 1 | | | |
| 302 | 23 | 13152320023 | 핀(중립) | | 1 | | | |
| 302 | 23 | 11972320020 | 핀(중립) | | 1 | | | |
| 302 | 24 | V2143610050 | 소형육각볼트가는(S) | M10X50 | 1 | | | |
| 302 | 24 | V2143610080 | 소형육각볼트가는(S) | | 1 | | | |
| 302 | 25 | V4011600100 | 스프링와셔 | M10 | 1 | | | |
| 302 | 27 | 13152322306GB | 암 COMP(후진) | | 1 | | | |
| 302 | 28 | V6001506000 | 볼베어링 | 6000DD | 1 | | | |
| 302 | 29 | V4111600100 | 평와셔 | M10 | 1 | | | |
| 302 | 30 | V5001920015 | 분할핀 | 2X15 | 1 | | | |
| 302 | 31 | V7041400200 | C형멈춤링(축용) | 20 | 1 | | | |
| 302 | 31 | V7041400250 | C형멈춤링(축용) | | 1 | | | |
| 302 | 32 | V7601500000 | 그리스니플(A-M6F) | | 1 | | | |
| 302 | 33 | 13152325101 | 핀(스프링) COMP | | 1 | | | |
| 302 | 34 | V2173608025 | 소형육각볼트보통(S) | M8X25 | 2 | | | |
| 302 | 35 | 13152312400 | 오일 댐퍼 | | 1 | | | |
| 302 | 36 | V4111600080 | 평와셔 | M8 | 4 | | | |
| 302 | 37 | V5601600008 | 스냅핀 | 8 | 4 | | | |
| 302 | 38 | 14043120060 | 요오크핀 (A) | | 1 | | | |
| 302 | 41 | 34522150080 | 체인 텐션 로드(82) | | 1 | | | |
| 302 | 42 | V3043600080 | 소형육각너트보통2종 | M8 | 2 | | | |
| 302 | 43 | 14722310033 | 스프링(리턴) | | 1 | | | |
| 302 | 44 | 13152332103DG | 브래킷(크루즈) COMP | | 1 | | | |
| 302 | 44 | 13152332103GB | 브래킷(크루즈) COMP | | 1 | | | |
| NOTE | | | | | | | | |

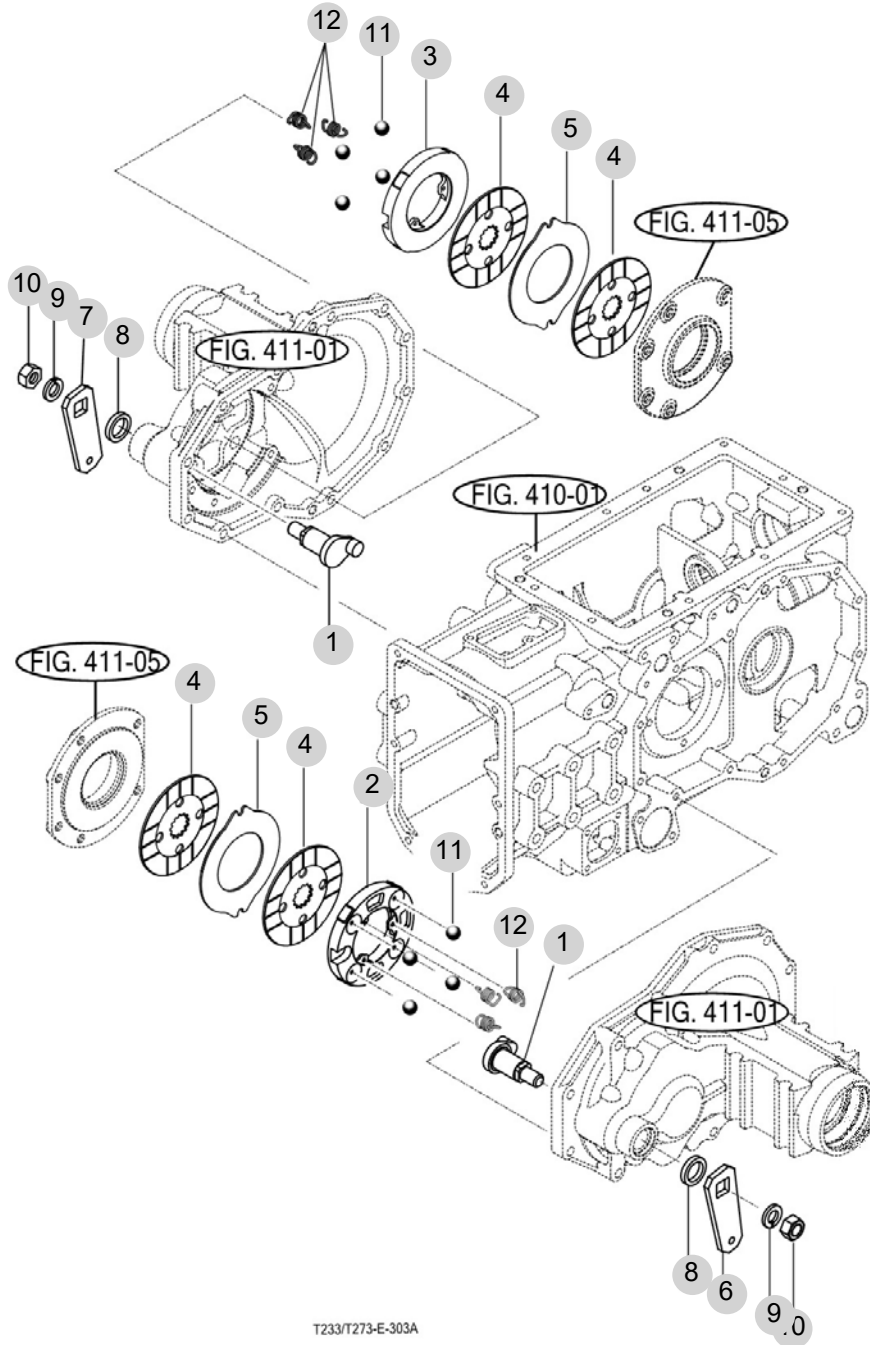
FIG 303

T265NHEU

BRAKE

년/월
Year/Month

2022-12



T233/T273-E-303A

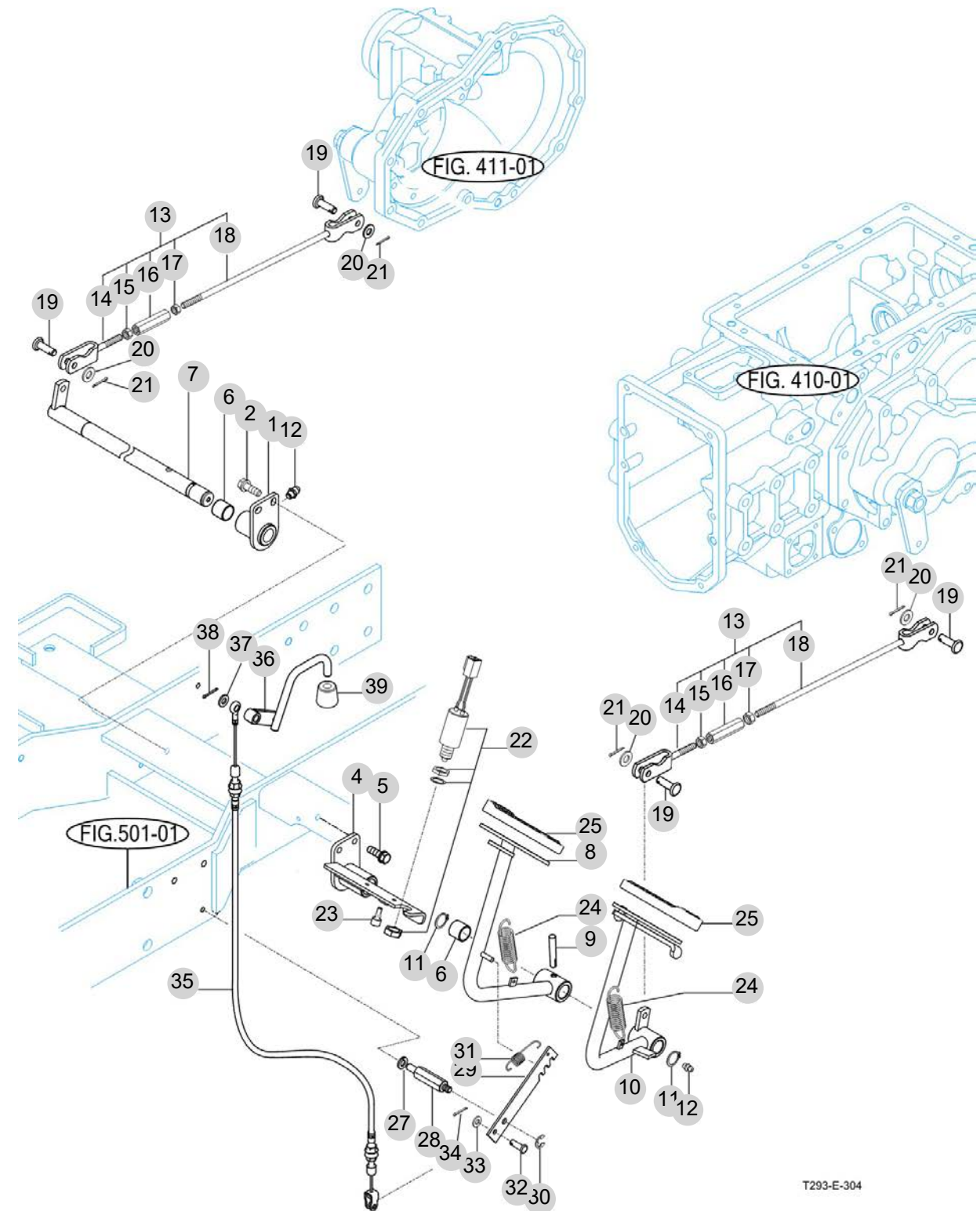
NOTE

FIG 304

BRAKE PEDAL & LINKAGE

년/월
Year/Month

2022-12



T293-E-304

NOTE

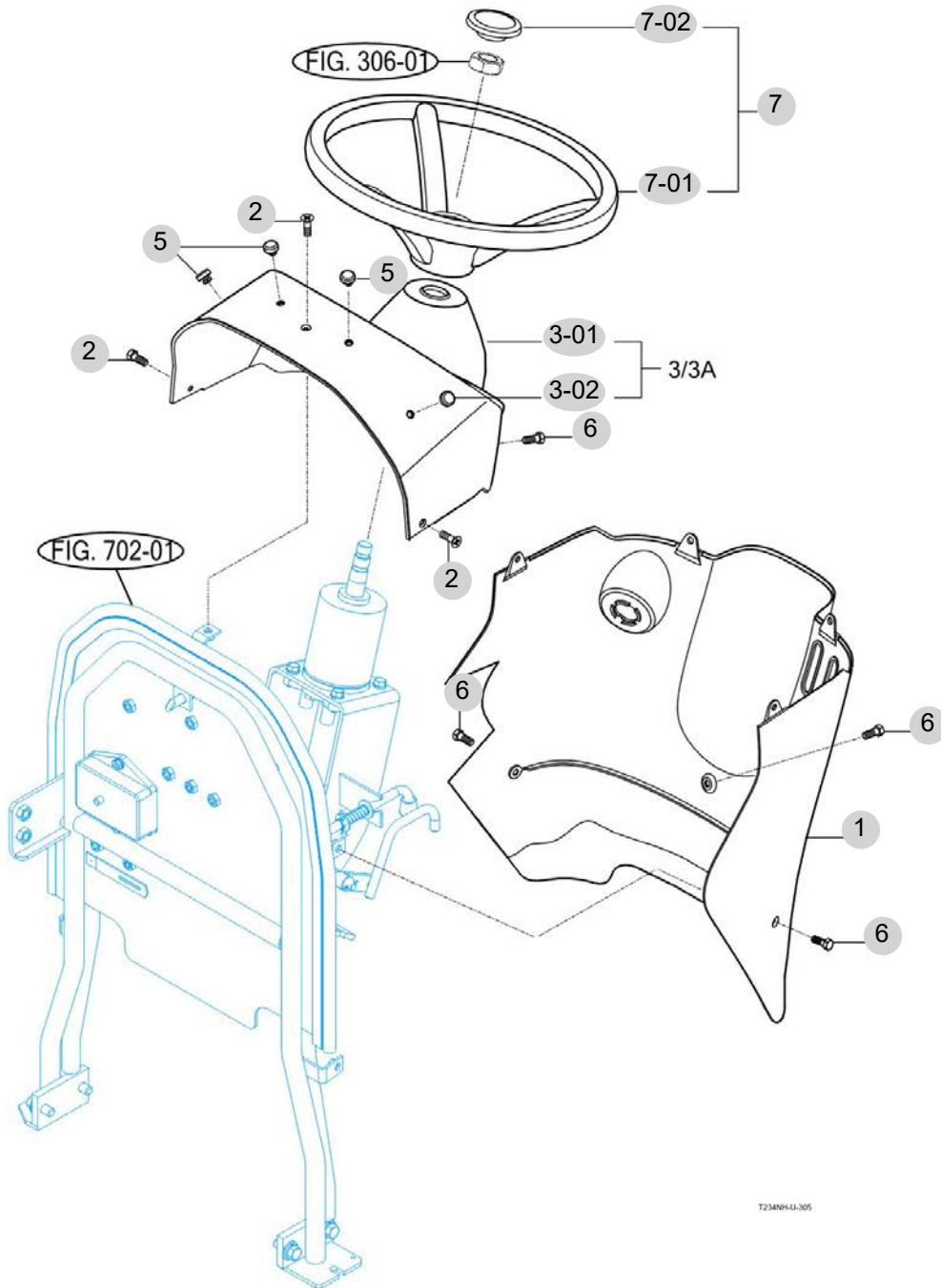
FIG 305

T265NHEU

STEERING WHEEL & DASH COVER

년/월
Year/Month

2022-12



NOTE

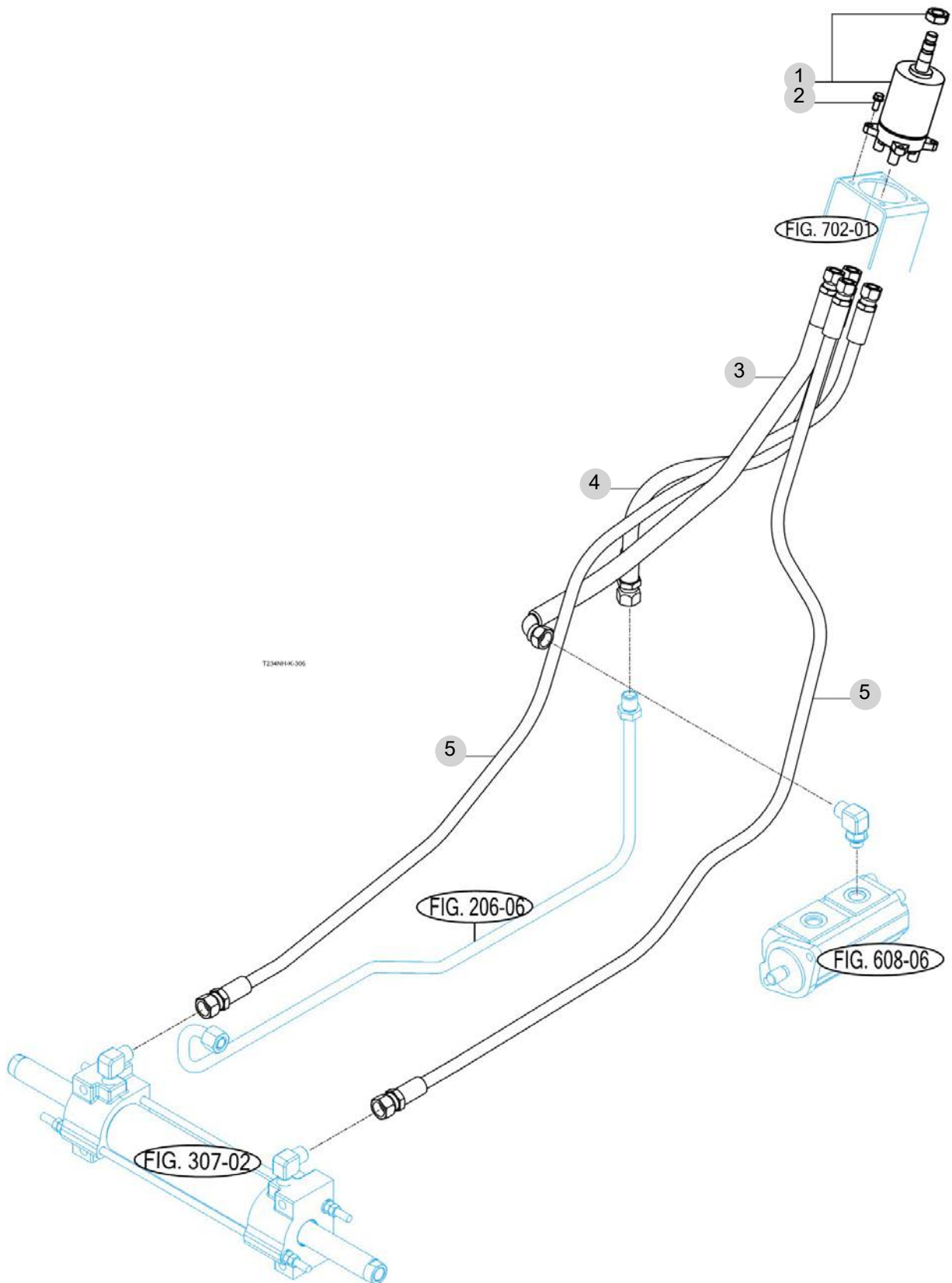
FIG 306

T265NHEU

STEERING VALVE

년/월
Year/Month

2022-12



NOTE

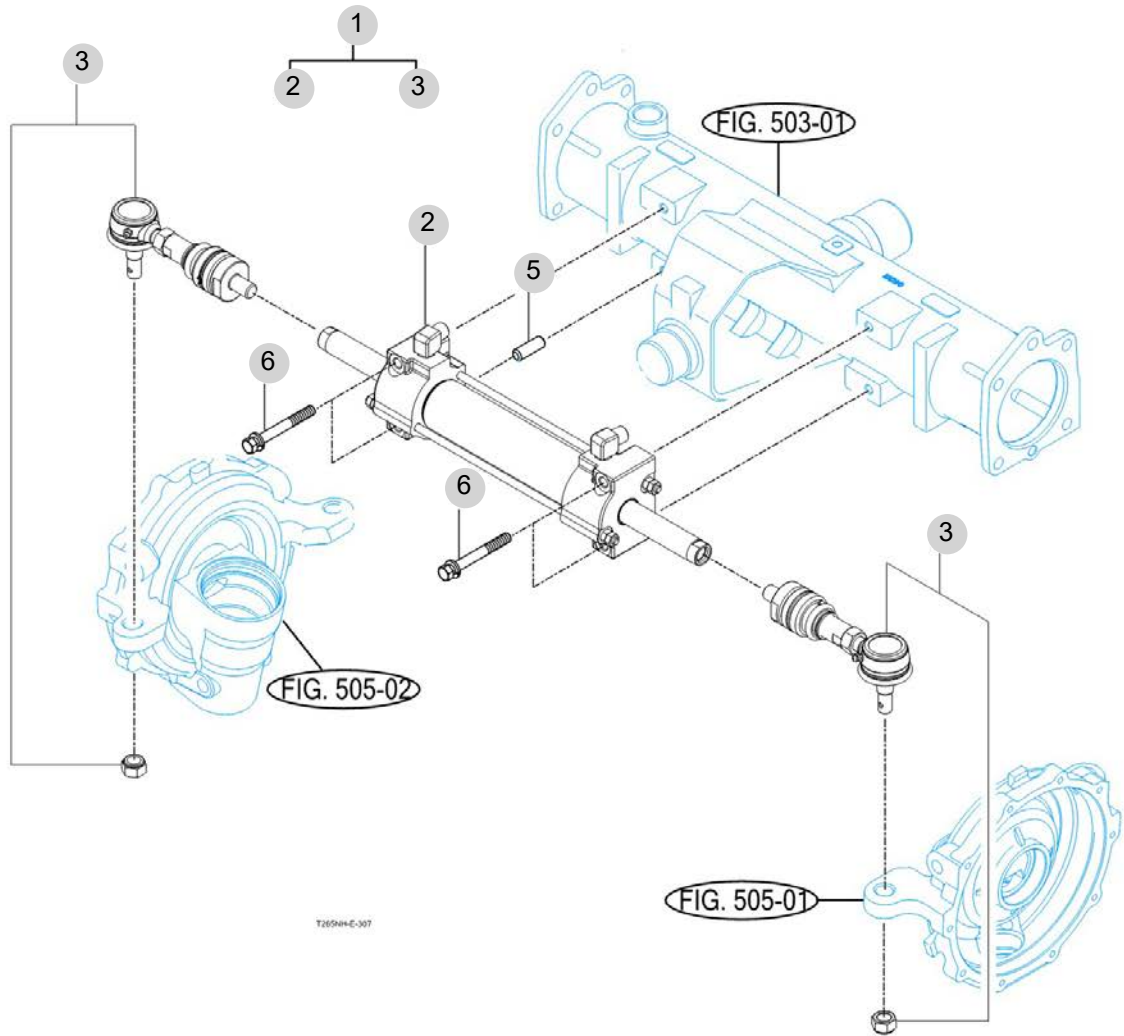
FIG 307

T265NHEU

STEERING CYLINDER

년/월
Year/Month

2022-12



NOTE

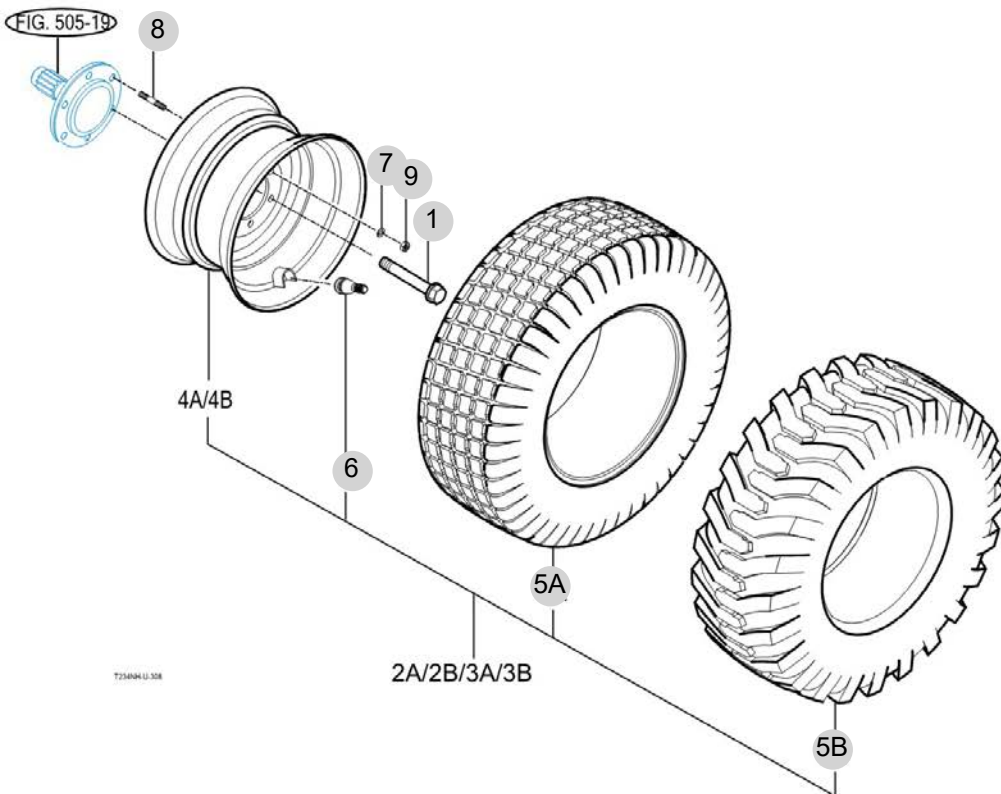
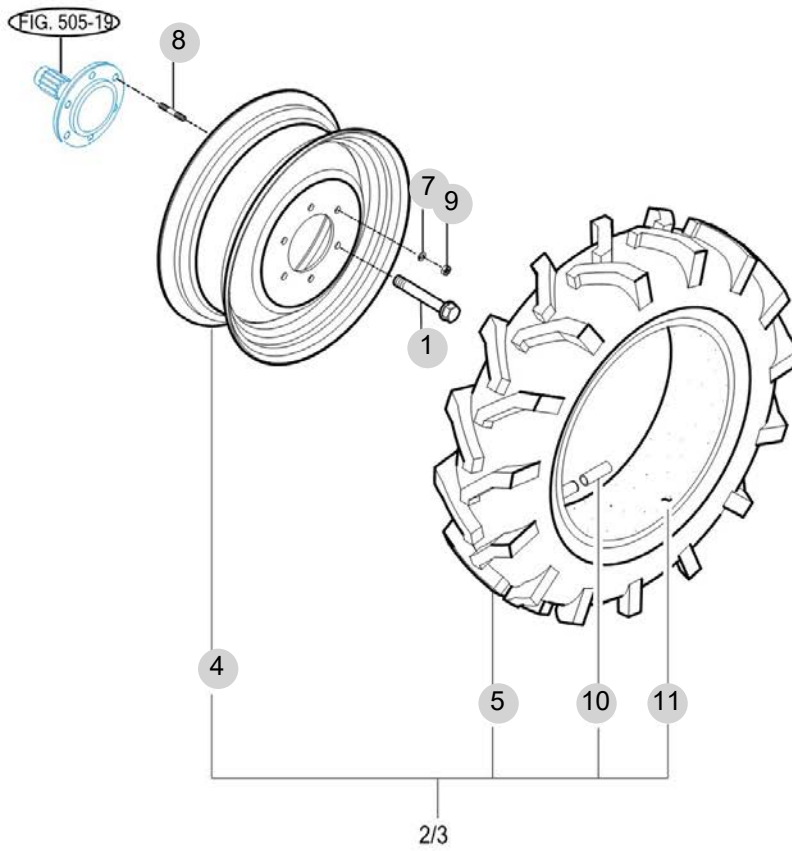
FIG 308

T265NHEU

FRONT WHEEL

년/월
Year/Month

2022-12



NOTE

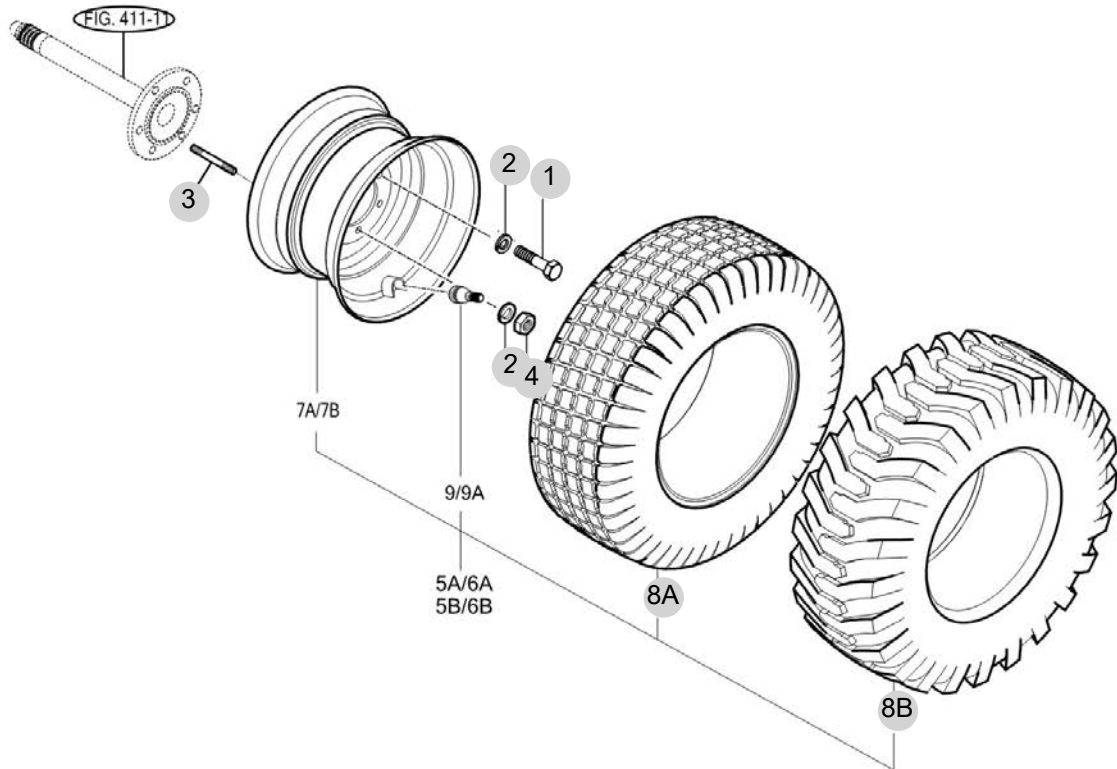
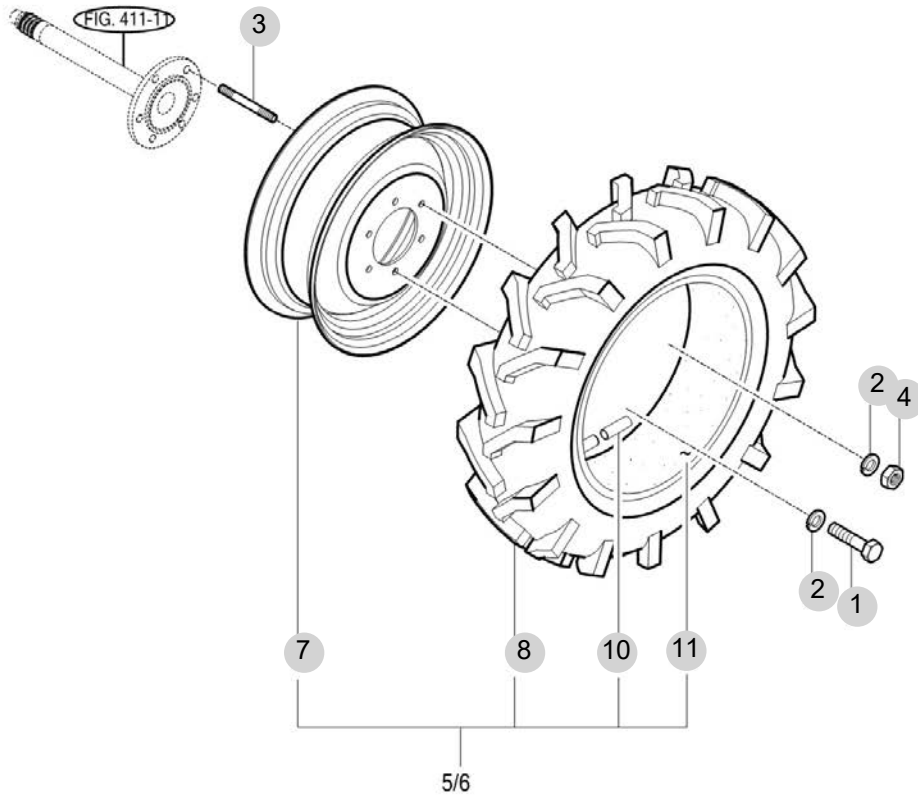
FIG 309

T265NHEU

REAR WHEEL

년/월
Year/Month

2022-12



NOTE

4. 트랜스미션 PART NO. T4

| | |
|--------------------------------|-----|
| FIG 401 INPUT SHAFT | 103 |
| FIG 402 HST | 105 |
| FIG 404 4WD DRIVE GEAR | 107 |
| FIG 405 RANGE GEARS | 109 |
| FIG 406 P.T.O DRIVE SHAFT | 111 |
| FIG 407 P.T.O SHAFT | 113 |
| FIG 408 MID P.T.O GEARS | 115 |
| FIG 409 DIFF LOCK | 117 |
| FIG 410 REAR TRANSMISSION CASE | 119 |
| FIG 411 REAR AXLE HOUSINGS | 121 |
| FIG 413 RANGE SHIFT LEVER | 123 |
| FIG 414 P.T.O CHANGE LEVER | 125 |
| FIG 415 4WD CHANGE LEVER | 127 |

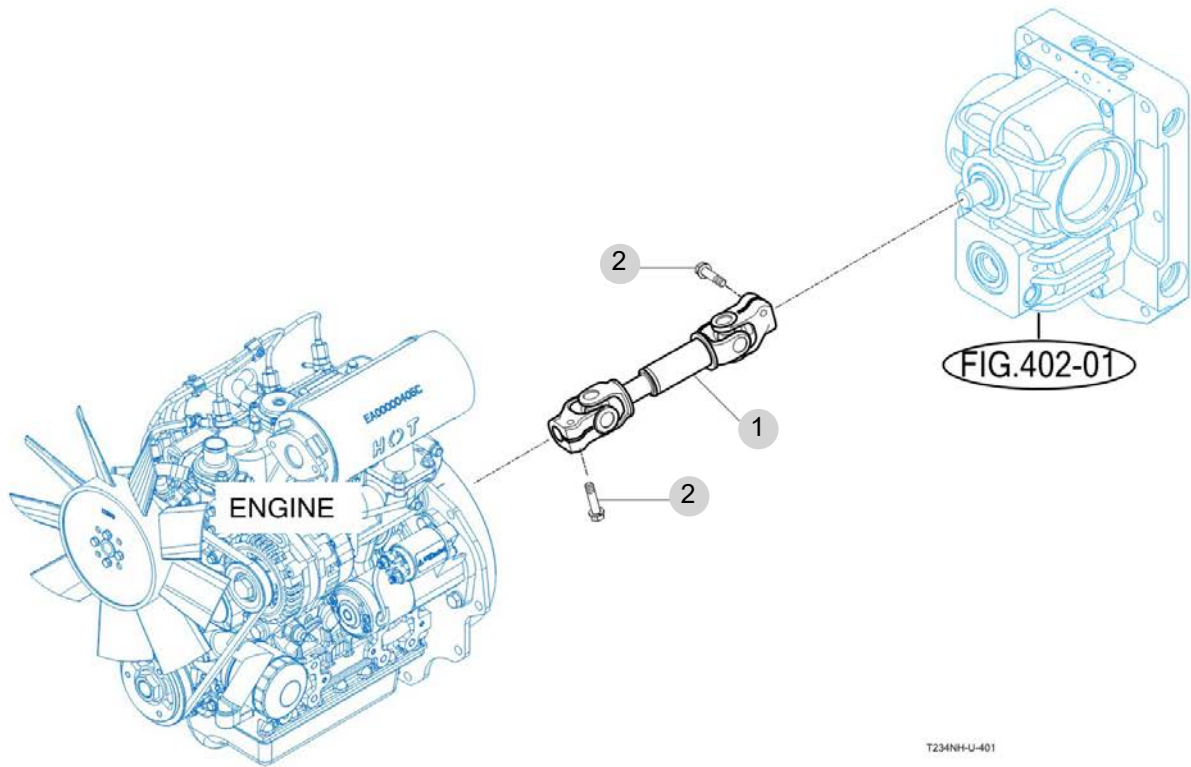
FIG 401

T265NHEU

INPUT SHAFT

년/월
Year/Month

2022-12



NOTE

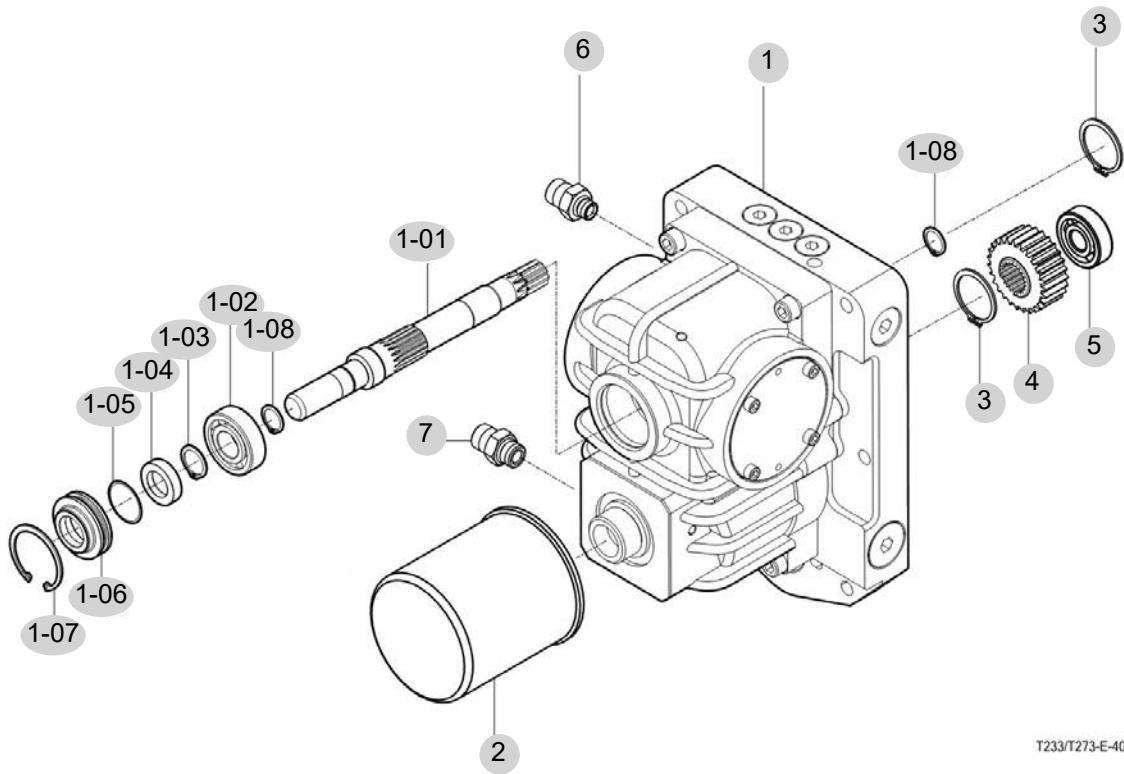
FIG 402

T265NHEU

HST

년/월
Year/Month

2022-12



T233/T273-E-402B

NOTE

| FIG 402 | | HST | | | | | | 년/월 Year/Month | |
|----------|------|-------------|-------------------|-------------|------|-----|--------|-------------------|---------|
| | | | | | | | | 2022-12 | |
| T265NHEU | | KEY NO | PART NO | DESCRIPTION | SPEC | QTY | REPAIR | EFFECTIVE DATE | REMARKS |
| 402 | 1 | 13152302001 | HST 유닛 | | | 1 | | | |
| 402 | 1 | 13152302002 | HST 유닛 | | | 1 | | | |
| 402 | 1 | 13152302003 | HST 유닛 | | | 1 | | | |
| 402 | 1-01 | H016200A | 샤프트(P) | | | 1 | | | |
| 402 | 1-02 | K01005 | 볼베어링 | | | 1 | | | |
| 402 | 1-03 | K11010 | C형멈춤링(축용) | | | 1 | | | |
| 402 | 1-04 | K04015 | 오일씰(BABSL22X32X6) | | | 1 | | | |
| 402 | 1-05 | K06099 | 오링(AG50) | | | 1 | | | |
| 402 | 1-06 | H016204A | 씰커버(P) | | | 1 | | | |
| 402 | 1-07 | K11022 | C형멈춤링(구멍용) | | | 1 | | | |
| 402 | 1-08 | K11015 | C형멈춤링(구멍용) | | | 1 | | | |
| 402 | 2 | 13152302100 | FILTER COMP , HST | | | 1 | | | |
| 402 | 3 | V7041400200 | C형멈춤링(축용) | 20 | | 2 | | | |
| 402 | 4 | 13472311020 | 기어(스퍼/21) | | | 1 | | | |
| 402 | 5 | V6001106302 | 볼베어링 | 6302 | | 1 | | | |
| 402 | 6 | 13155100161 | 유니온(M18 , PF1/4) | | | 1 | | | |
| 402 | 7 | 16995304000 | 유니온(오링) | | | 1 | | | |
| 402 | 7 | 16995304000 | 유니온(오링) | | | 2 | | | |
| | | | | | | | | | |
| | | | | | | | | | |
| | | | | | | | | | |
| | | | | | | | | | |
| | | | | | | | | | |
| | | | | | | | | | |
| | | | | | | | | | |
| | | | | | | | | | |
| | | | | | | | | | |
| | | | | | | | | | |
| | | | | | | | | | |
| | | | | | | | | | |
| | | | | | | | | | |
| | | | | | | | | | |
| | | | | | | | | | |
| | | | | | | | | | |
| | | | | | | | | | |
| | | | | | | | | | |
| | | | | | | | | | |
| | | | | | | | | | |
| | | | | | | | | | |
| | | | | | | | | | |
| | | | | | | | | | |
| | | | | | | | | | |
| | | | | | | | | | |
| | | | | | | | | | |
| | | | | | | | | | |
| | | | | | | | | | |
| | | | | | | | | | |
| | | | | | | | | | |
| | | | | | | | | | |
| | | | | | | | | | |
| | | | | | | | | | |
| | | | | | | | | | |
| NOTE | | | | | | | | | |

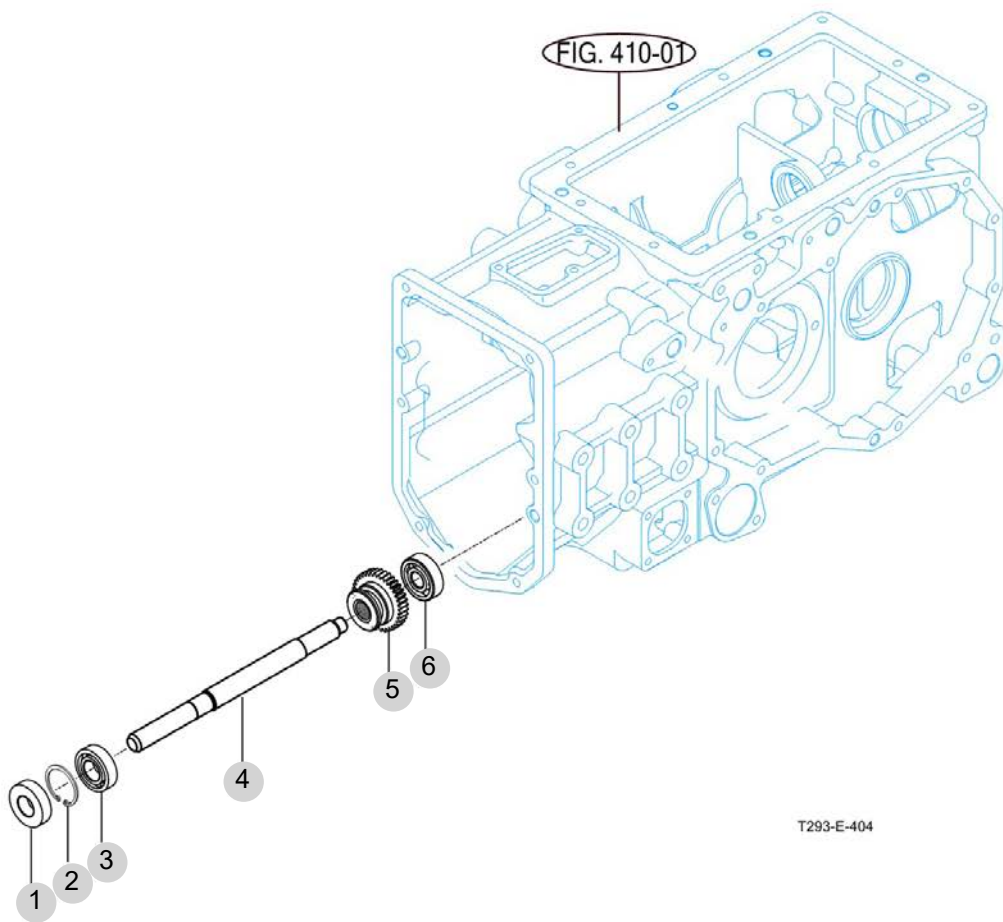
FIG 404

T265NHEU

4WD DRIVE GEAR

년/월
Year/Month

2022-12



NOTE

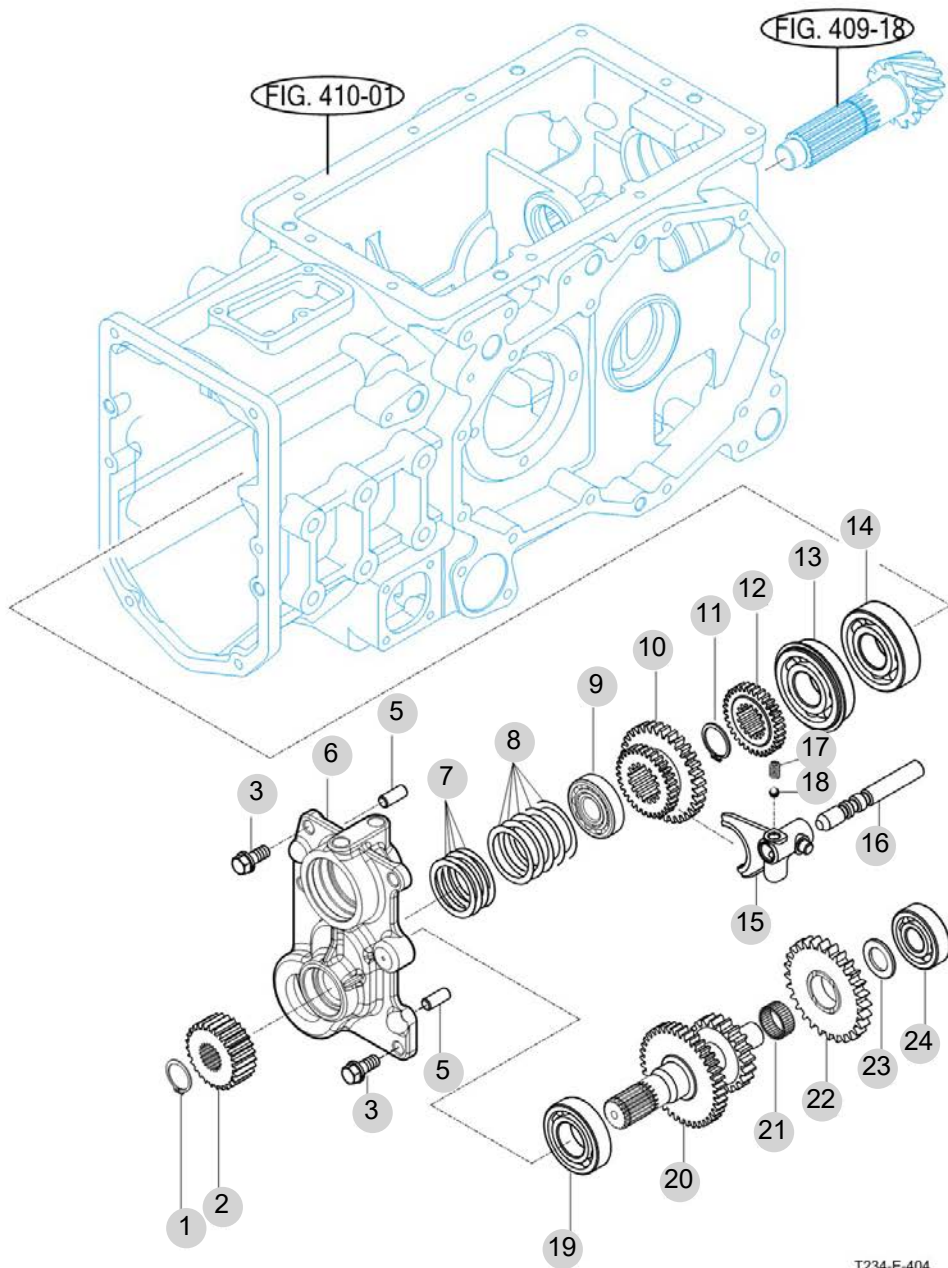
FIG 405

T265NHEU

RANGE GEARS

년/월
Year/Month

2022-12



T234-E-404

NOTE

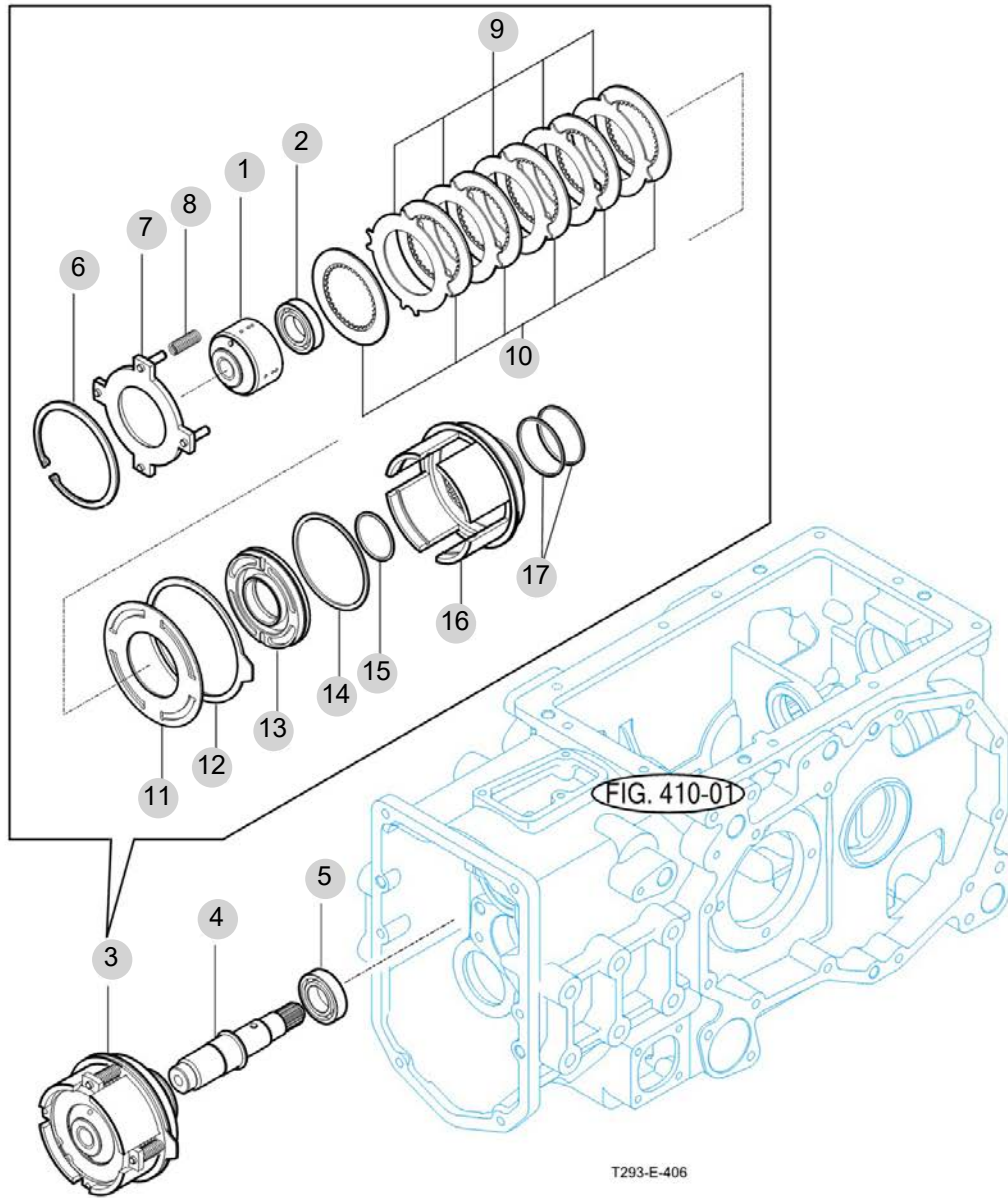
FIG 406

T265NHEU

P.T.O DRIVE SHAFT

년/월
Year/Month

2022-12



T293-E-406

NOTE

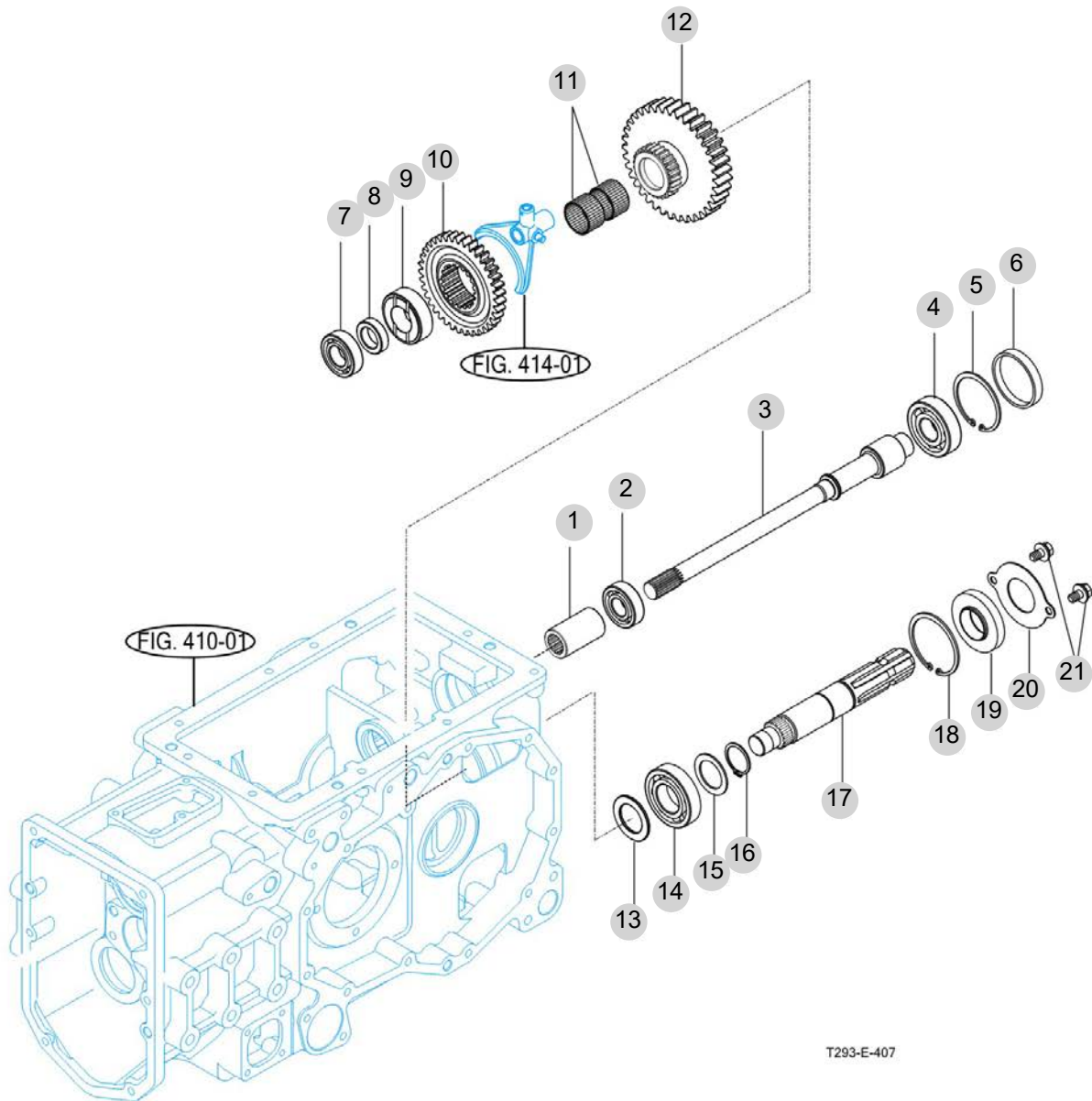
FIG 407

T265NHEU

P.T.O SHAFT

년/월
Year/Month

2022-12



NOTE

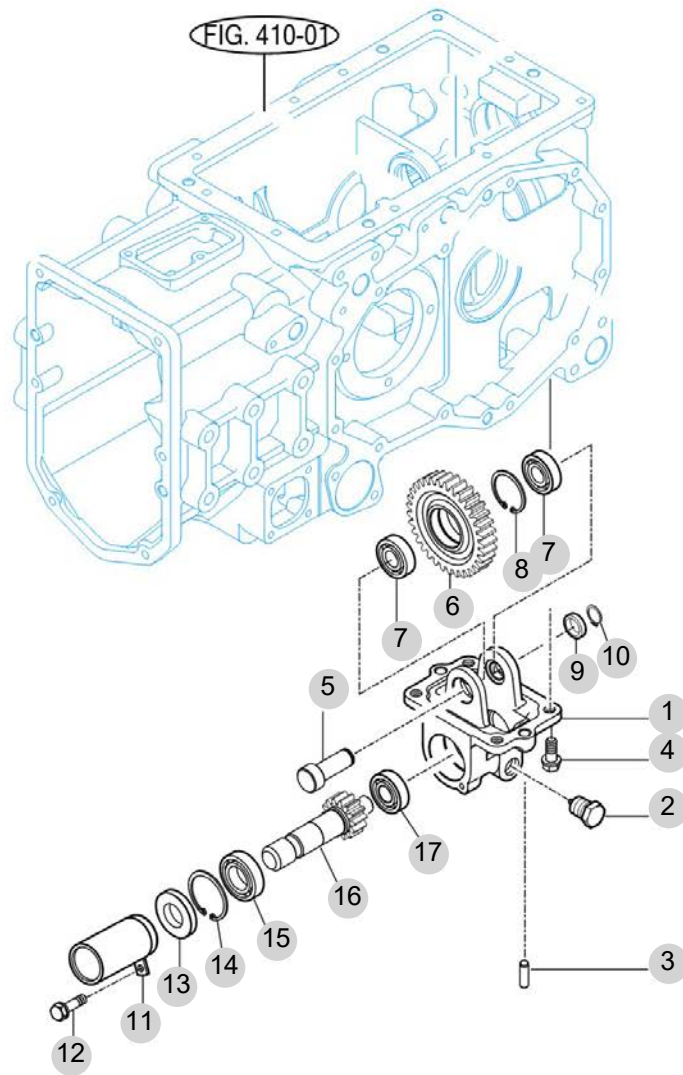
FIG 408

T265NHEU

MID P.T.O GEARS

년/월
Year/Month

2022-12



T293-E-408

NOTE

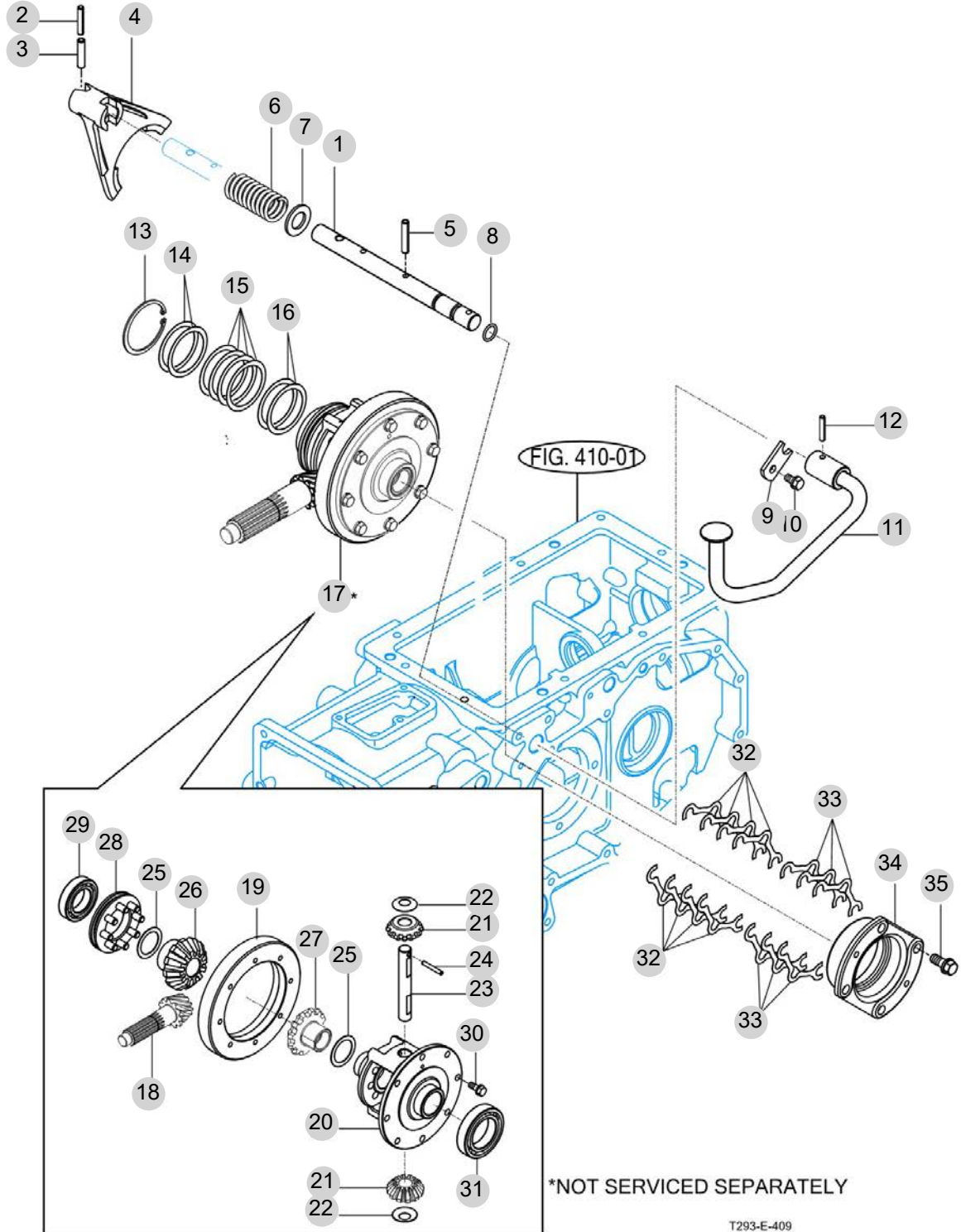
FIG 409

DIFF LOCK

년/월
Year/Month

T265NHEU

2022-12



*NOT SERVICED SEPARATELY

T293-E-409

NOTE

| FIG 409 T265NHEU | | DIFF LOCK | | | | | | 년/월 Year/Month | |
|---------------------|---------|--------------|------------------|-------|--------|----------------|---------|-------------------|--|
| | | | | | | | | 2022-12 | |
| KEY NO | PART NO | DESCRIPTION | SPEC | QTY | REPAIR | EFFECTIVE DATE | REMARKS | | |
| 409 | 1 | 13153190020 | 디프록 샤프트 | | | | 1 | | |
| 409 | 2 | V5801405036 | 스프링핀 | 5X36 | | | 1 | | |
| 409 | 3 | V5801408036 | 스프링핀 | 8X36 | | | 1 | | |
| 409 | 4 | 13153190010M | 포크(디프록) | | | | 1 | | |
| 409 | 5 | V5801406032 | 스프링핀 | 6X32 | | | 1 | | |
| 409 | 6 | 17973030420 | 스프링 | | | | 1 | | |
| 409 | 7 | V4111600200 | 평와셔 | M20 | | | 1 | | |
| 409 | 8 | V7201024016 | O링(P) | P16 | | | 1 | | |
| 409 | 9 | 16703180191 | 플레이트 | | | | 1 | | |
| 409 | 10 | V2173608016 | 소형육각볼트보통(S) | M8X16 | | | 1 | | |
| 409 | 11 | 13153193100 | 페달(디프록) COMP | | | | 1 | | |
| 409 | 12 | V5801406028 | 스프링핀 | 6X32 | | | 1 | | |
| 409 | 12 | V5801408036 | 스프링핀 | | | | 1 | | |
| 409 | 13 | V7051400620 | C형멈춤링(구멍용) | 62 | | | 1 | | |
| 409 | 14 | 13153180110 | 심(RH/0.5) | | | | 3 | | |
| 409 | 15 | 13153180130 | 심(RH/0.2) | | | | 4 | | |
| 409 | 16 | 13153180120 | 심(RH/0.1) | | | | 3 | | |
| 409 | 17 | 13403002000 | 리어 차동장치 ASSY | | | | 1 | | |
| 409 | 18 | 13153002110 | 드라이브 피니언(9) | | | | 1 | | |
| 409 | 19 | 13153002120 | 기어(베벨/55) | | | | 1 | | |
| 409 | 20 | 13153180011M | 디프 케이스 | | | | 1 | | |
| 409 | 21 | 14443180040 | 디프 피니언(12) | | | | 2 | | |
| 409 | 22 | 14443180050 | 피니언스라스트칼라 | | | | 2 | | |
| 409 | 23 | 13153180070 | 디프 피니언 축 | | | | 1 | | |
| 409 | 24 | V5801405036 | 스프링핀 | 5X36 | | | 1 | | |
| 409 | 25 | 13153180080 | 스러스트 와셔(34X46X1) | | | | 2 | | |
| 409 | 26 | 13153180030 | 베벨기어(20)(RH) | | | | 1 | | |
| 409 | 27 | 13153180060 | 베벨기어(20)(LH) | | | | 1 | | |
| 409 | 28 | 13153182100 | 디프록 클러치 COMP | | | | 1 | | |
| 409 | 29 | V6001106007 | 볼베어링 | 6007 | | | 1 | | |
| 409 | 30 | V2173608020 | 소형육각볼트보통(S) | M8X20 | | | 8 | | |
| 409 | 31 | V6001106009 | 볼베어링 | 6009 | | | 1 | | |
| 409 | 32 | 13153181030 | 심(LH/0.2) | | | | 8 | | |
| 409 | 33 | 13153181020 | 심(LH/0.1) | | | | 6 | | |
| 409 | 34 | 13153181010M | 디프 케이스 메탈 | | | | 1 | | |
| 409 | 35 | V2173610025 | 소형육각볼트보통(S) | | | | 4 | | |
| | | | | | | | | | |
| | | | | | | | | | |
| | | | | | | | | | |
| | | | | | | | | | |
| | | | | | | | | | |
| | | | | | | | | | |
| | | | | | | | | | |
| | | | | | | | | | |
| | | | | | | | | | |
| | | | | | | | | | |
| | | | | | | | | | |
| NOTE | | | | | | | | | |

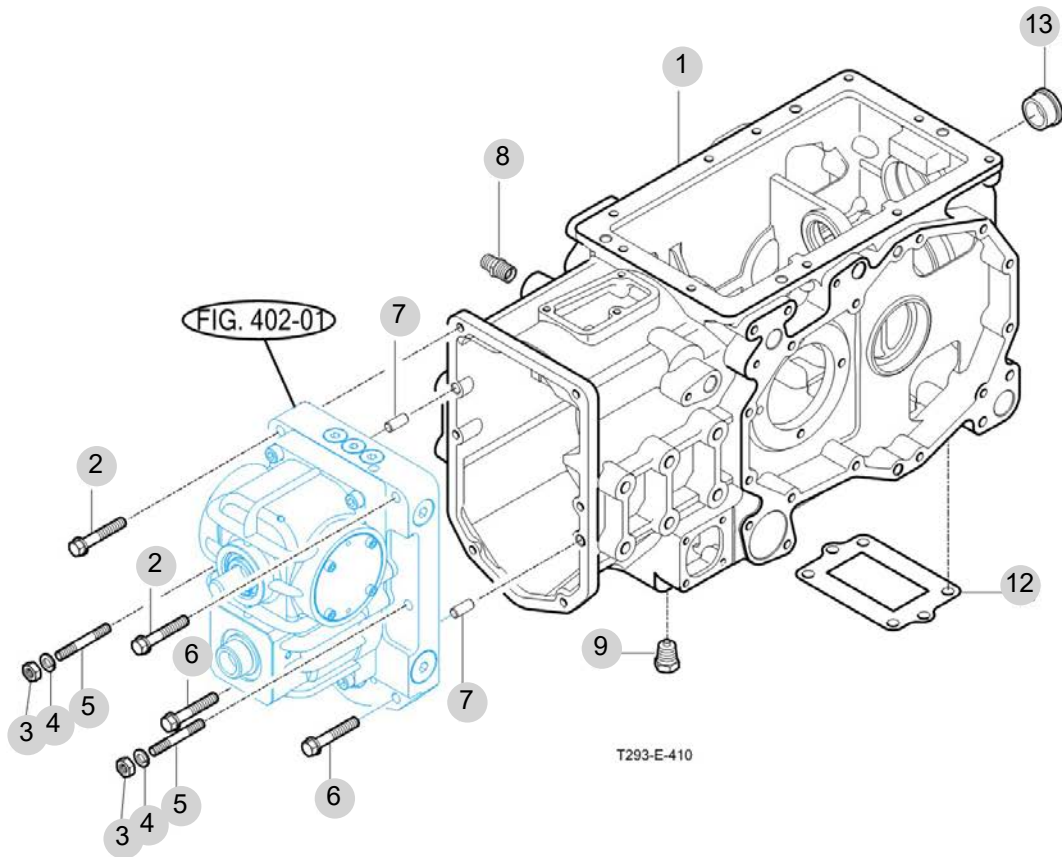
FIG 410

REAR TRANSMISSION CASE

년/월
Year/Month

2022-12

T265NHEU



T293-E-410

NOTE

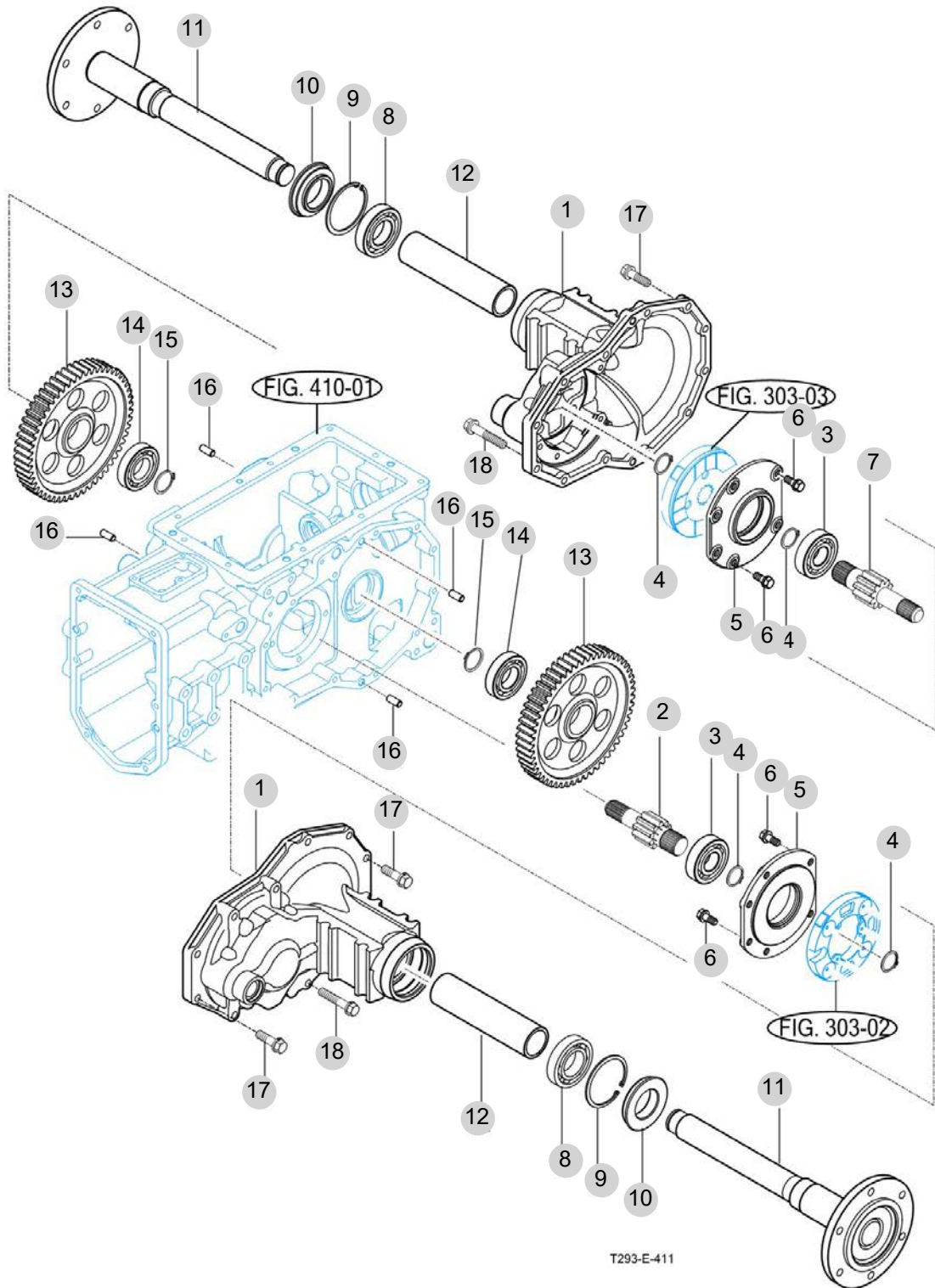
FIG 411

REAR AXLE HOUSINGS

년/월
Year/Month

T265NHEU

2022-12



T293-E-411

NOTE

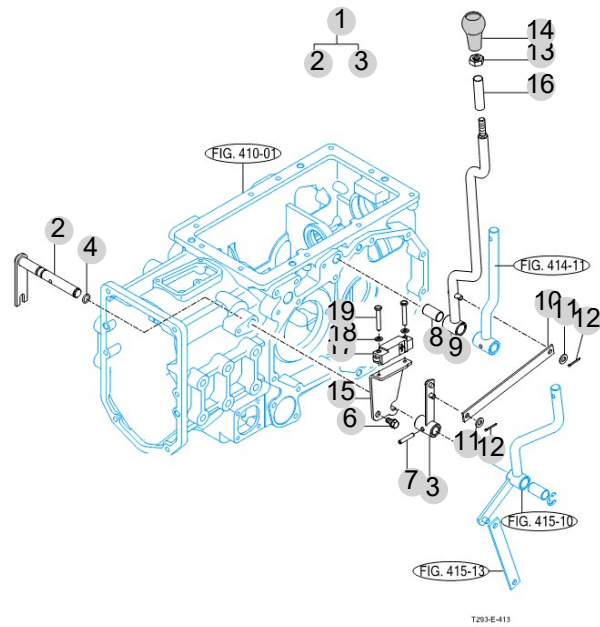
FIG 413

T265NHEU

RANGE SHIFT LEVER

년/월
Year/Month

2022-12



NOTE

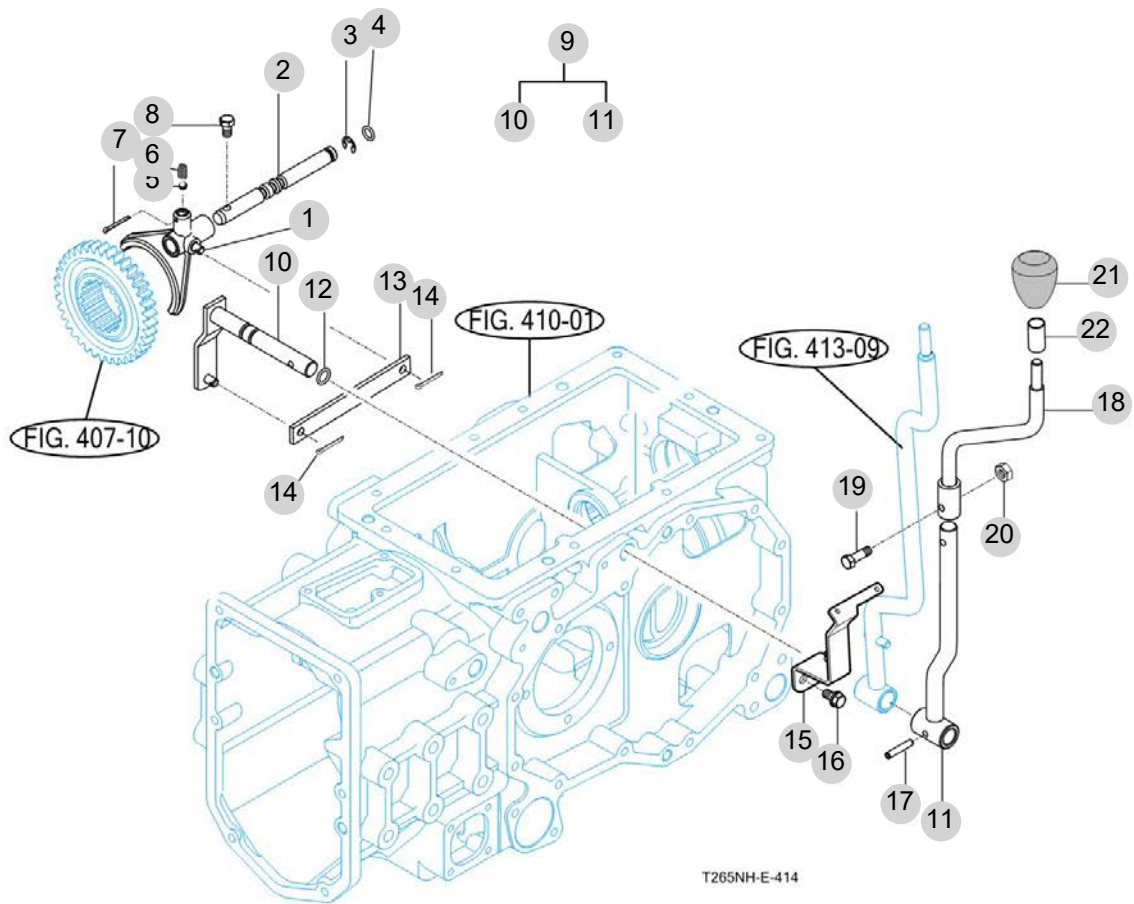
FIG 414

T265NHEU

P.T.O CHANGE LEVER

년/월
Year/Month

2022-12



NOTE

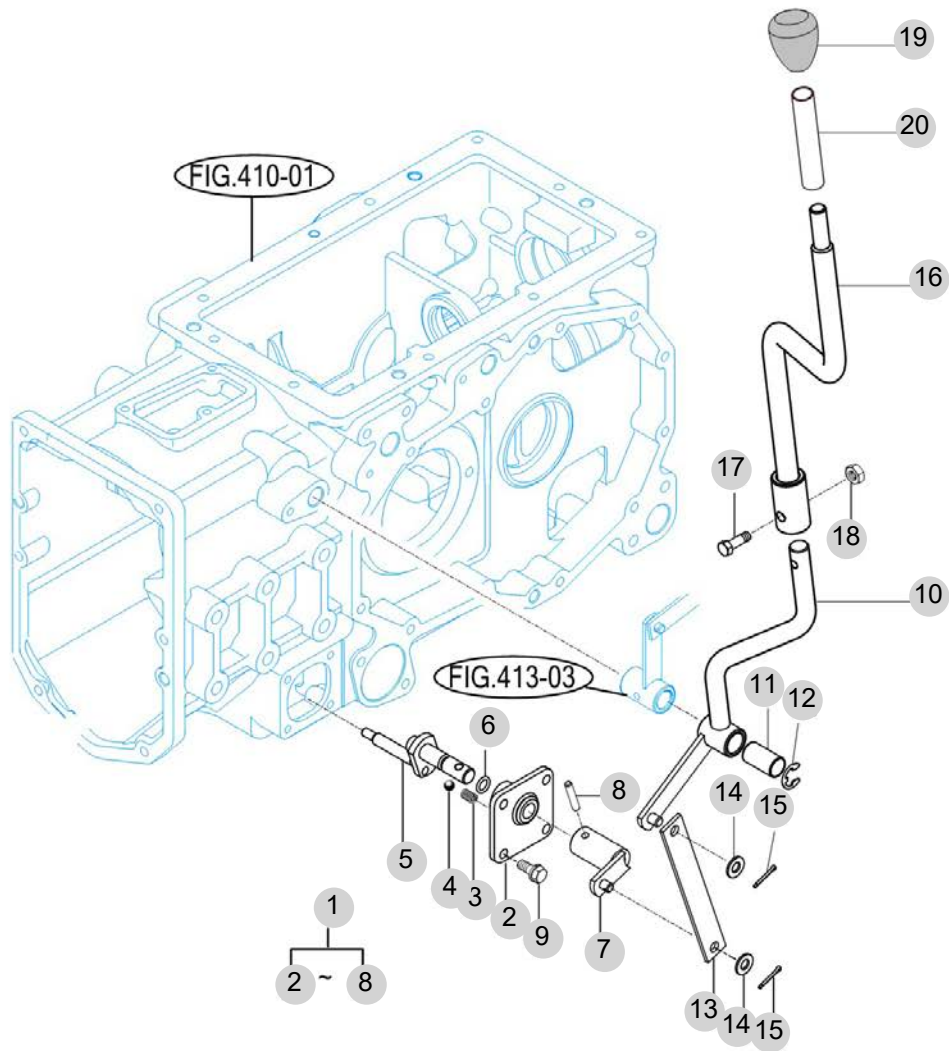
FIG 415

4WD CHANGE LEVER

년/월
Year/Month

T265NHEU

2022-12



T293-E-415

NOTE

| FIG 415 T265NHEU | | 4WD CHANGE LEVER | | | | | | 년/월 Year/Month |
|---------------------|---------|------------------|----------------|--------|--------|----------------|---------|-------------------|
| | | | | | | | | 2022-12 |
| KEY NO | PART NO | DESCRIPTION | SPEC | QTY | REPAIR | EFFECTIVE DATE | REMARKS | |
| 415 | 1 | 13402632001 | 4WD 암 SUB | | | | | |
| 415 | 2 | 14443120010M | 보스 | | | | | |
| 415 | 3 | 13022250030 | 시프터스프링 | | | | | |
| 415 | 4 | V6802000010 | 강구 | 5/16 | | | | |
| 415 | 5 | 14572622101 | 암COMP(4WD) | | | | | |
| 415 | 6 | V7201024010 | O링(P) | P10A | | | | |
| 415 | 7 | 13152632201 | 암 COMP | | | | | |
| 415 | 8 | V5801406032 | 스프링핀 | 6X32 | | | | |
| 415 | 9 | V2173608020 | 소형육각볼트보통(S) | M8X20 | | | | |
| 415 | 10 | 13152632102 | 레버(4WD/하) COMP | | | | | |
| 415 | 10 | 13152632103 | 레버(4WD/하) COMP | | | | | |
| 415 | 11 | 17995070270 | 부시(16X18X33) | | | | | |
| 415 | 12 | V7081400120 | E형멈춤링 | 12 | | | | |
| 415 | 13 | 13152630011 | 4WD 링크 | | | | | |
| 415 | 14 | V4111600080 | 평와셔 | M8 | | | | |
| 415 | 15 | V5001925020 | 핀 | 2.5X20 | | | | |
| 415 | 16 | 13152632302 | 4WD 레버(상) COMP | | | | | |
| 415 | 17 | V2013608030 | 소형육각볼트(보통) | M8X30 | | | | |
| 415 | 18 | V3042600080 | 소형육각너트보통2종 | M8 | | | | |
| 415 | 19 | 15442190050 | 레버손잡이(12) | | | | | |
| 415 | 20 | 13632444630 | 4WD레버호스, 110 | | | | | |
| | | | | | | | | |
| | | | | | | | | |
| | | | | | | | | |
| | | | | | | | | |
| | | | | | | | | |
| | | | | | | | | |
| | | | | | | | | |
| | | | | | | | | |
| | | | | | | | | |
| | | | | | | | | |
| | | | | | | | | |
| | | | | | | | | |
| | | | | | | | | |
| | | | | | | | | |
| | | | | | | | | |
| | | | | | | | | |
| | | | | | | | | |
| | | | | | | | | |
| | | | | | | | | |
| NOTE | | | | | | | | |

5. 프런트 액슬 PART NO. T5

| | |
|------------------------------------------|-----|
| FIG 501 FRAME | 130 |
| FIG 502 FRONT DIFFERENTIAL GEARS & SHAFT | 132 |
| FIG 503 FRONT AXLE HOUSING | 134 |
| FIG 504 FRONT GEAR CASE (1) | 136 |
| FIG 505 FRONT GEAR CASE (2) | 138 |

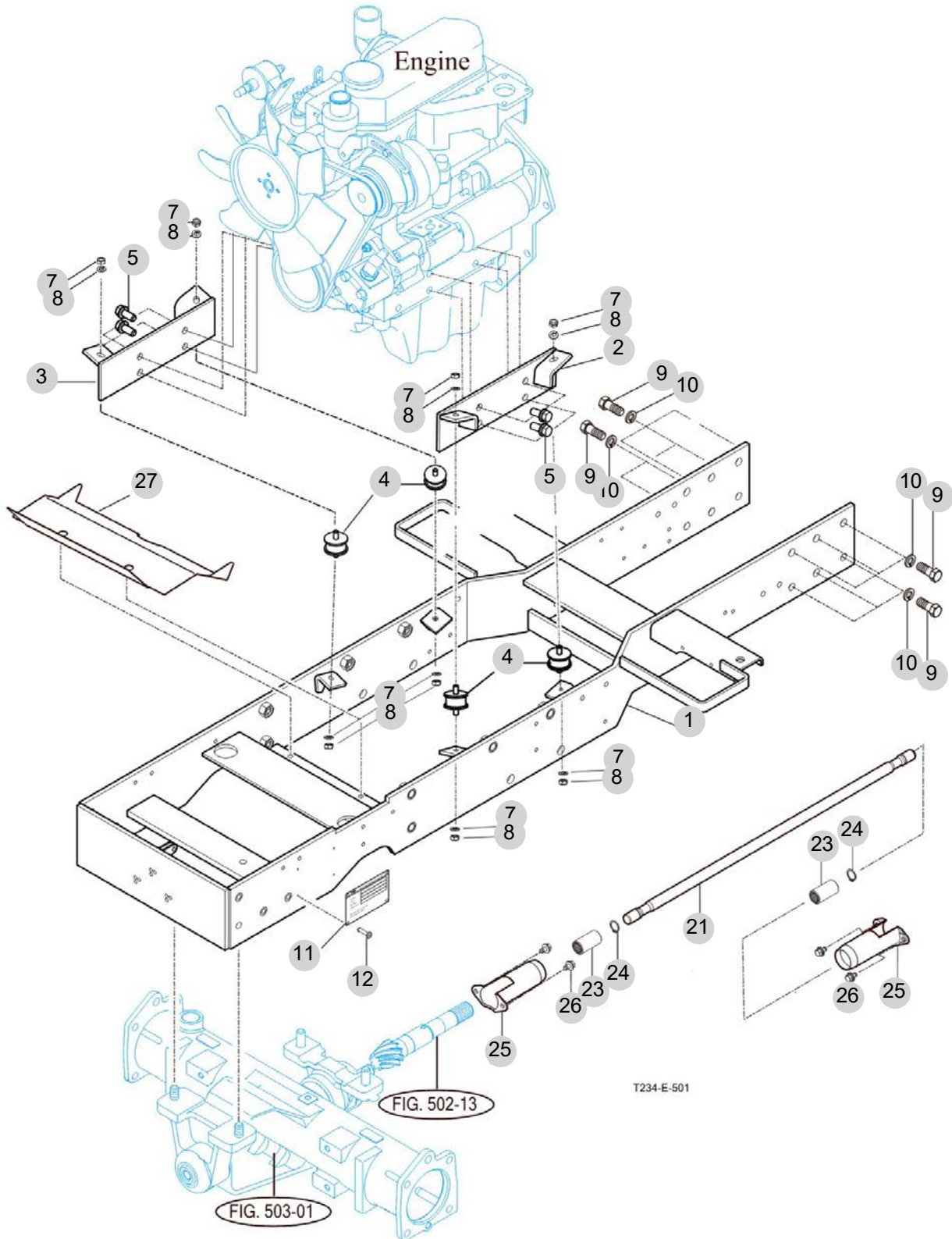
FIG 501

T265NHEU

FRAME

년/월
Year/Month

2022-12



NOTE

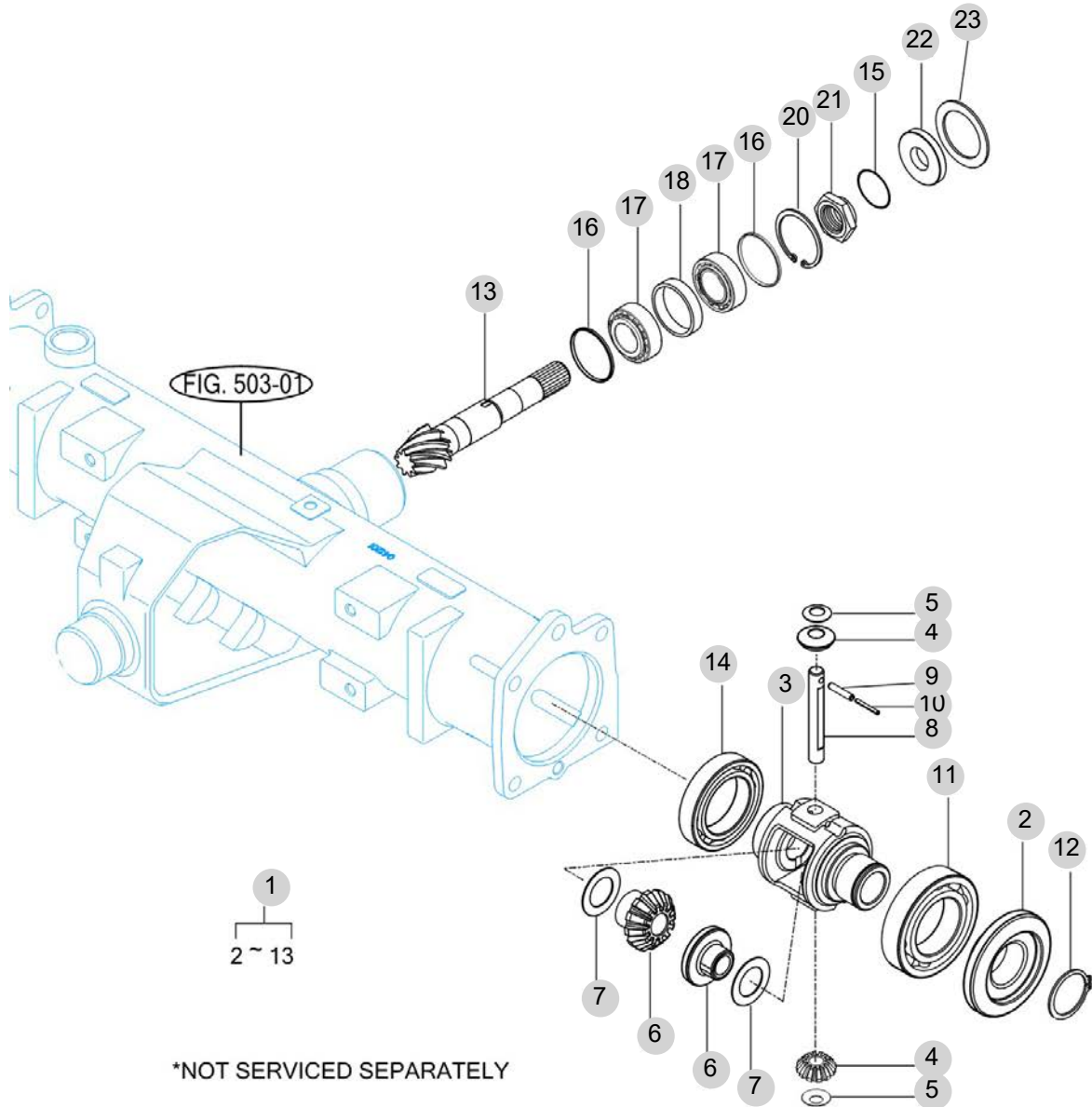
FIG 502

T265NHEU

FRONT DIFFERENTIAL GEARS & SHAFT

년/월
Year/Month

2022-12



*NOT SERVICED SEPARATELY

T293-E-502

NOTE

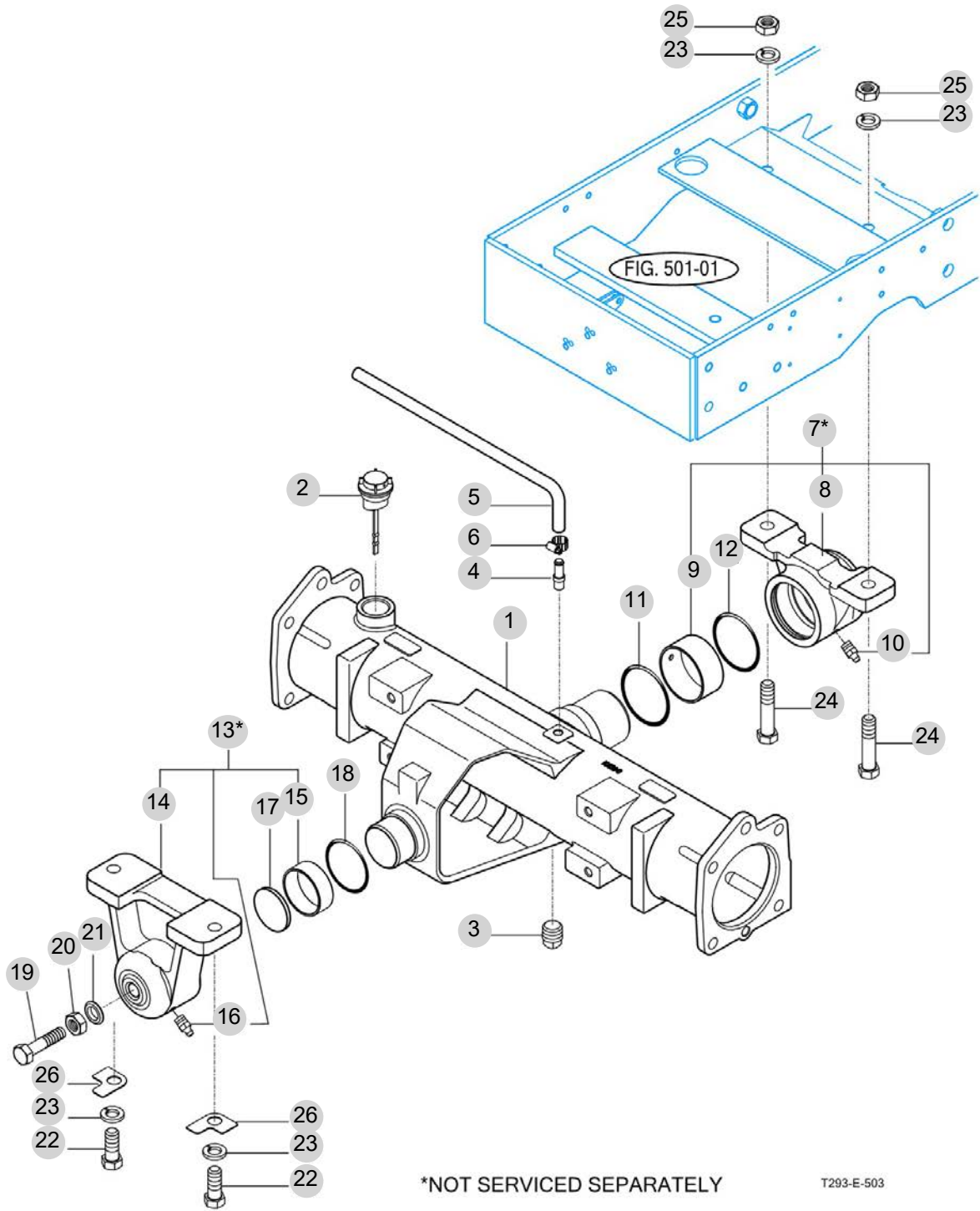
FIG 503

T265NHEU

FRONT AXLE HOUSING

년/월
Year/Month

2022-12



NOTE

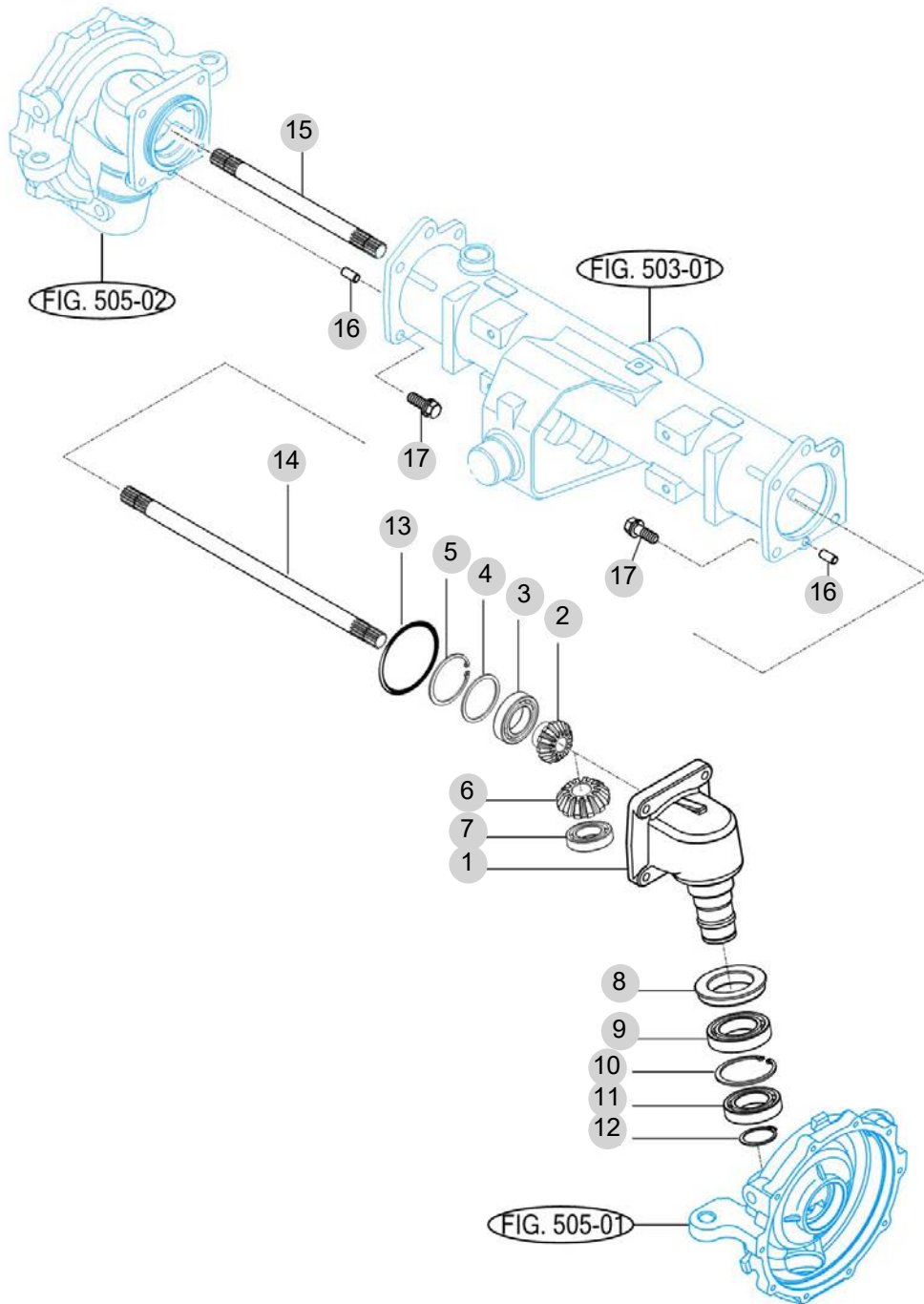
FIG 504

T265NHEU

FRONT GEAR CASE (1)

년/월
Year/Month

2022-12



T293-E-504

NOTE

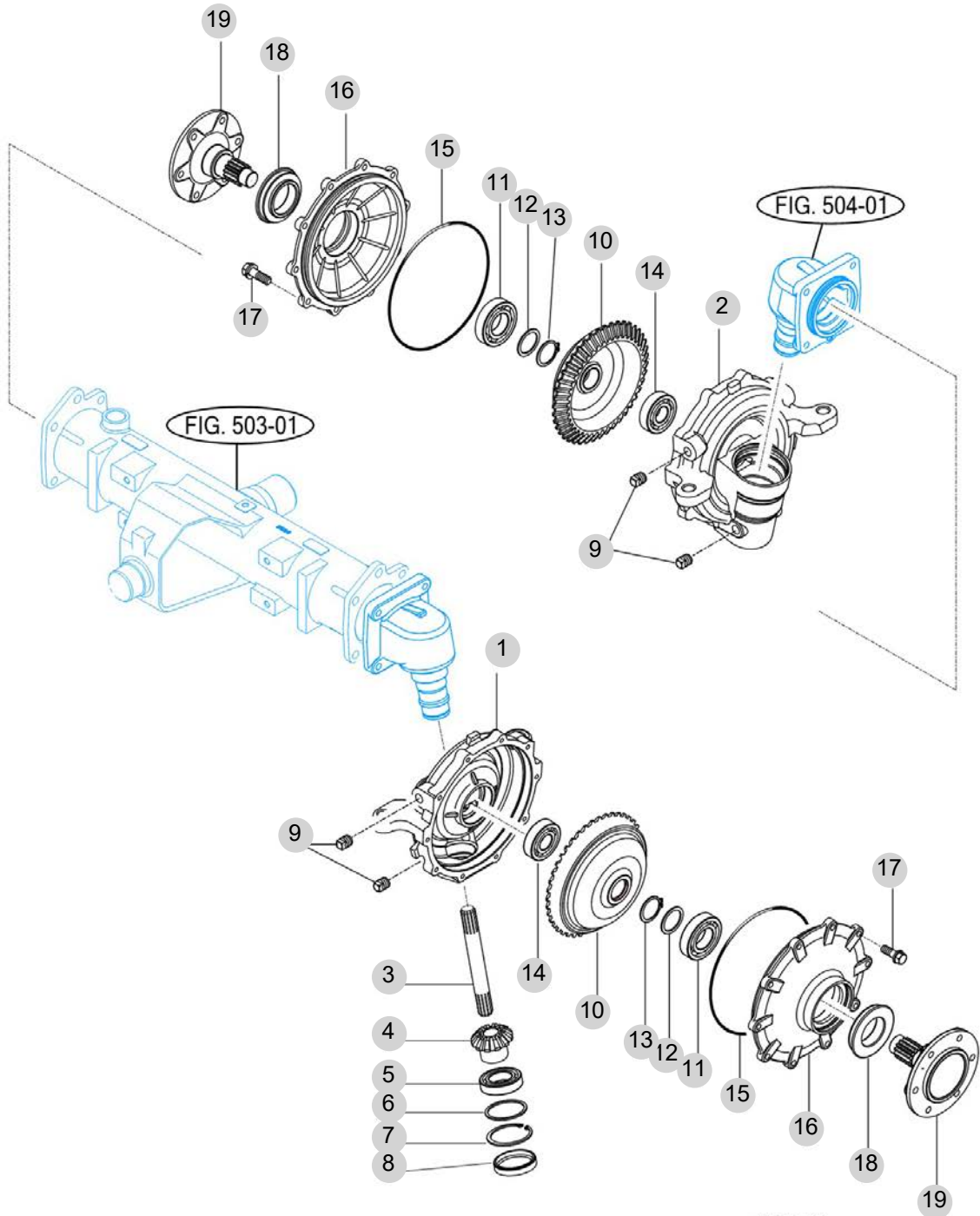
FIG 505

T265NHEU

FRONT GEAR CASE (2)

년/월
Year/Month

2022-12



T293-E-505

NOTE

6. 유압/3점링크 PART NO. T6

| | |
|--------------------------------|-----|
| FIG 601 CYLINDER CASE | 141 |
| FIG 602 LIFT ARM | 143 |
| FIG 603 FLOW CONTROL VALVE | 145 |
| FIG 604 CONTROL VALVE LINKAGE | 147 |
| FIG 605 MAIN CONTROL VALVE | 149 |
| FIG 606 REMOTE CONTROL VALVE | 151 |
| FIG 607 POSITION LEVER LINKAGE | 153 |
| FIG 608 GEAR PUMP | 155 |
| FIG 609 HYDRAULIC HOSE (1) | 157 |
| FIG 610 HYDRAULIC HOSE (2) | 159 |
| FIG 611 PTO VALVE | 161 |
| FIG 612 3-POINT LINKAGE | 163 |
| FIG 613 JOYSTICK LEVER | 166 |
| FIG 614 HITCH & COVER | 168 |

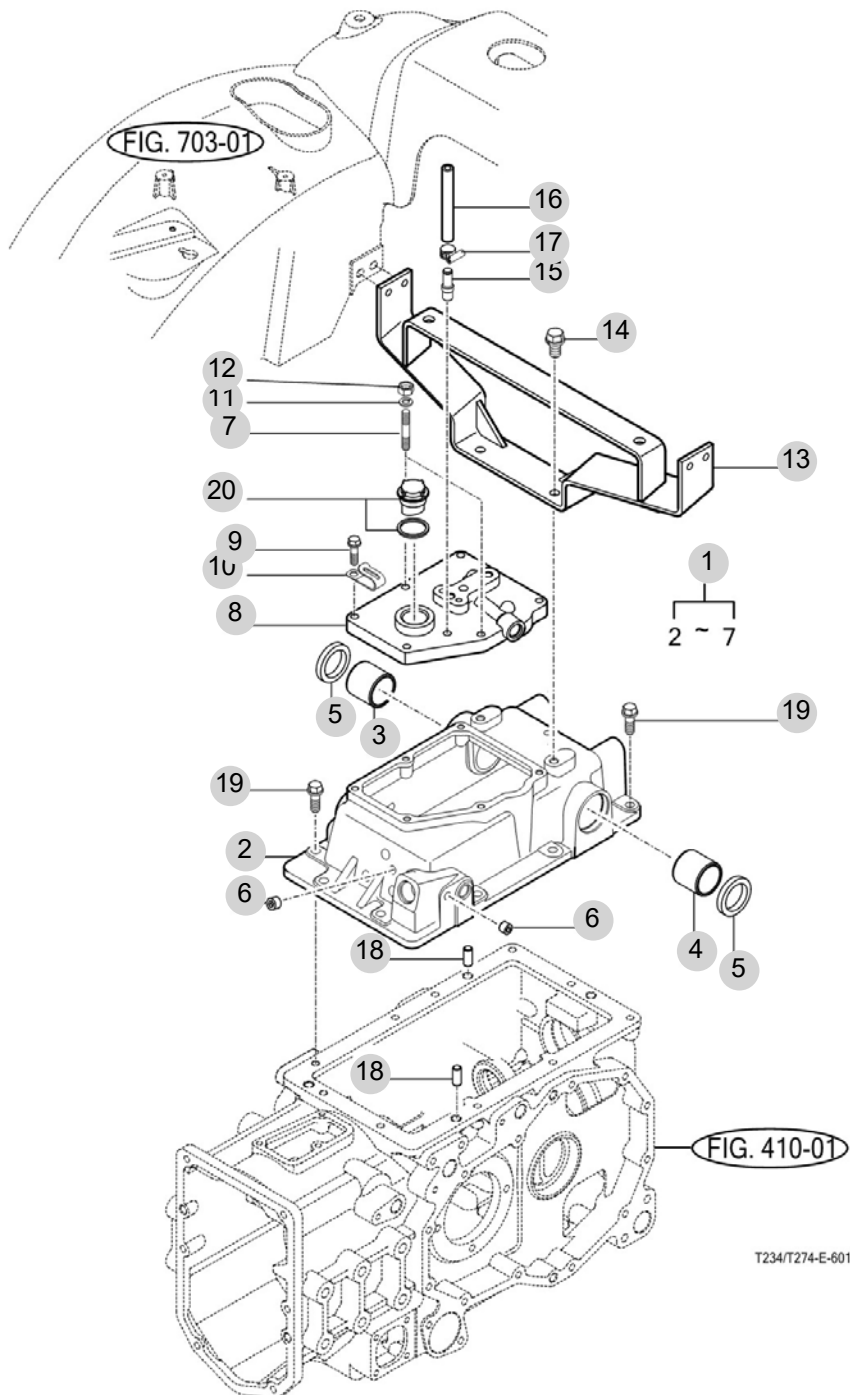
FIG 601

CYLINDER CASE

년/월
Year/Month

2022-12

T265NHEU



NOTE

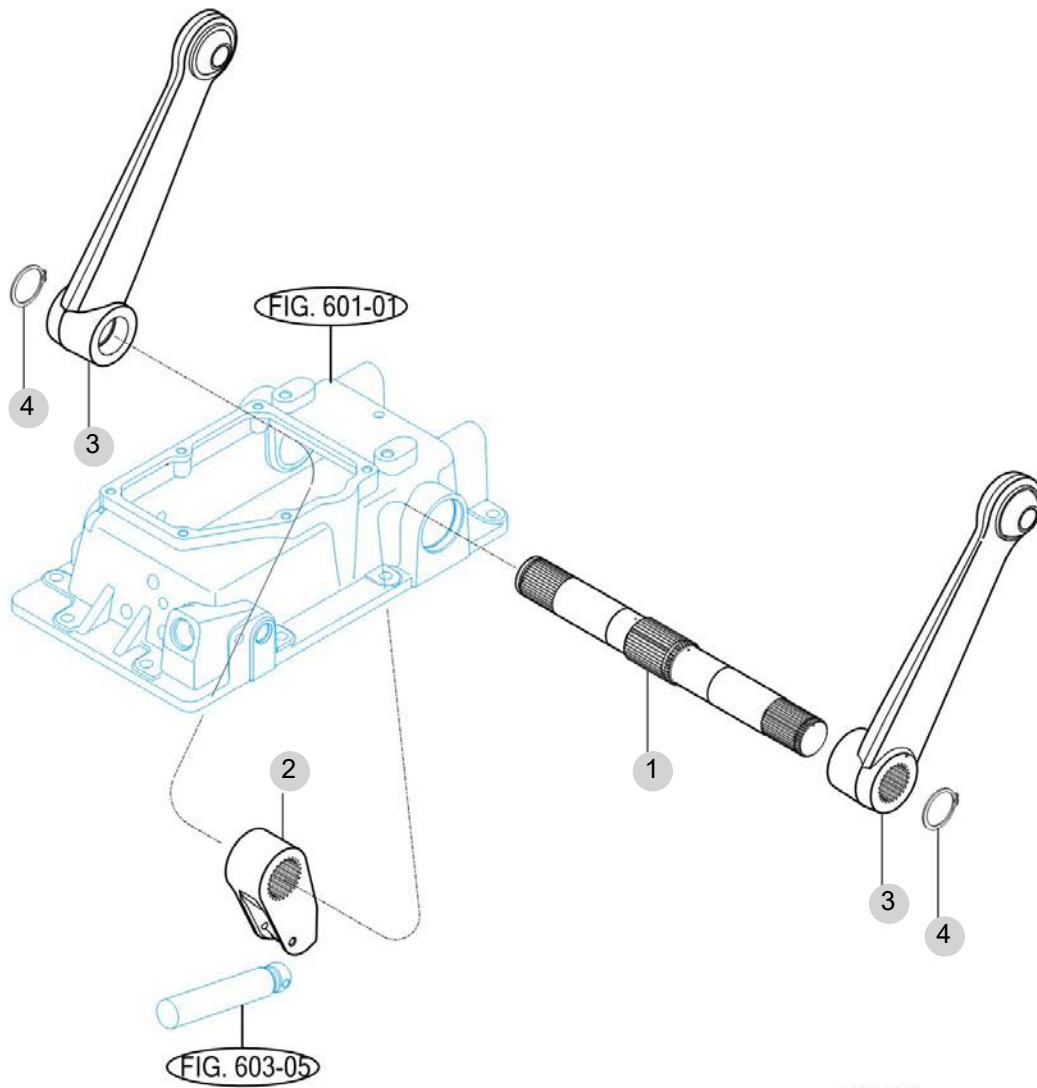
FIG 602

T265NHEU

LIFT ARM

년/월
Year/Month

2022-12



NOTE

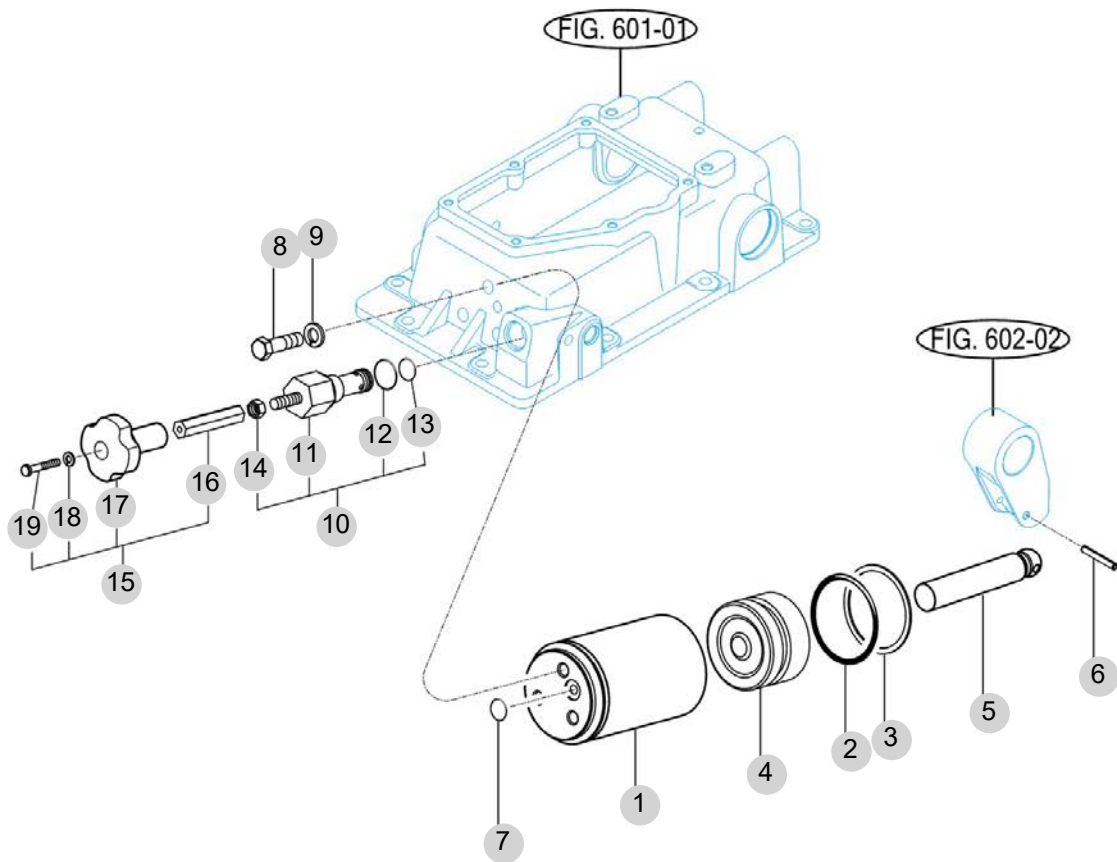
FIG 603

T265NHEU

FLOW CONTROL VALVE

년/월
Year/Month

2022-12



T293-E-603

NOTE

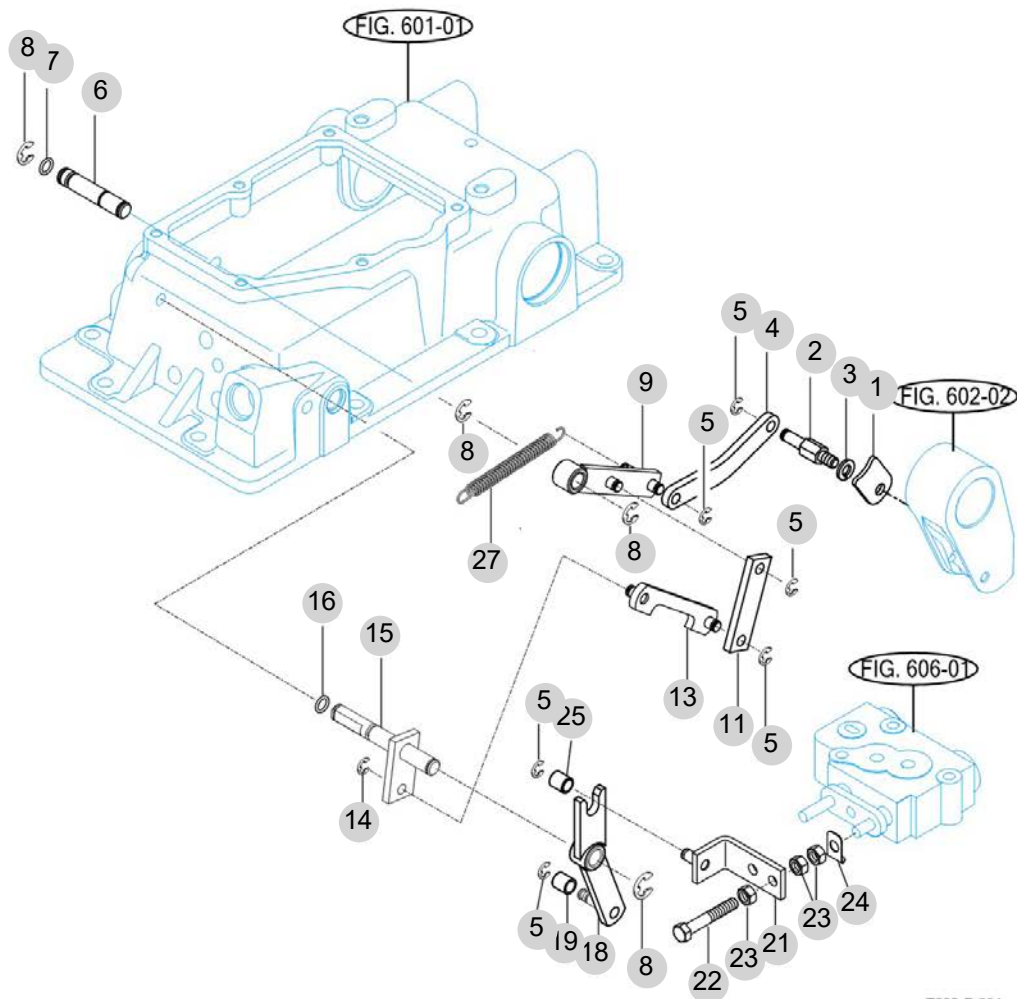
FIG 604

CONTROL VALVE LINKAGE

년/월
Year/Month

T265NHEU

2022-12



T293-E-604

NOTE

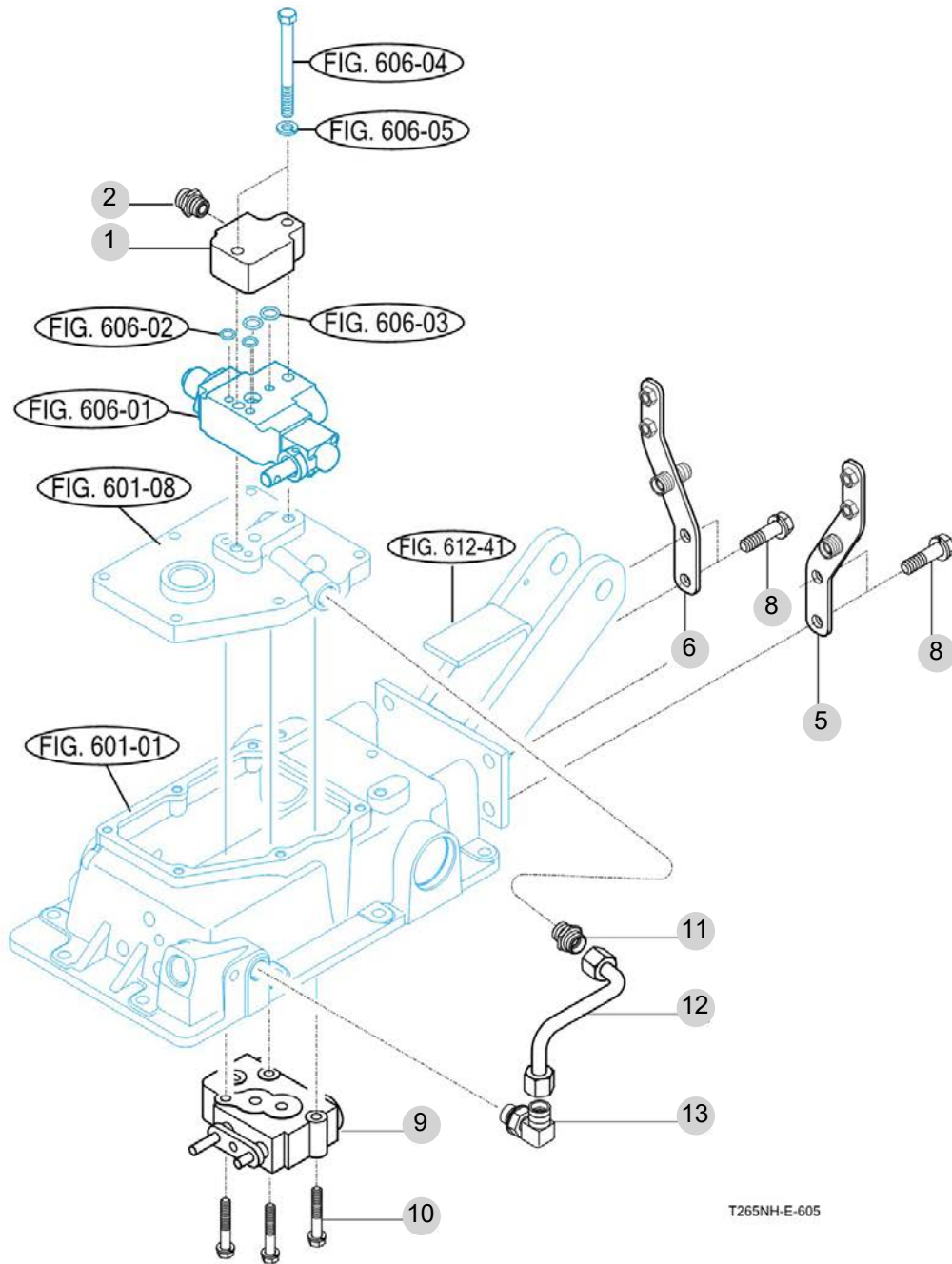
FIG 605

MAIN CONTROL VALVE

년/월
Year/Month

2022-12

T265NHEU



T265NH-E-605

NOTE

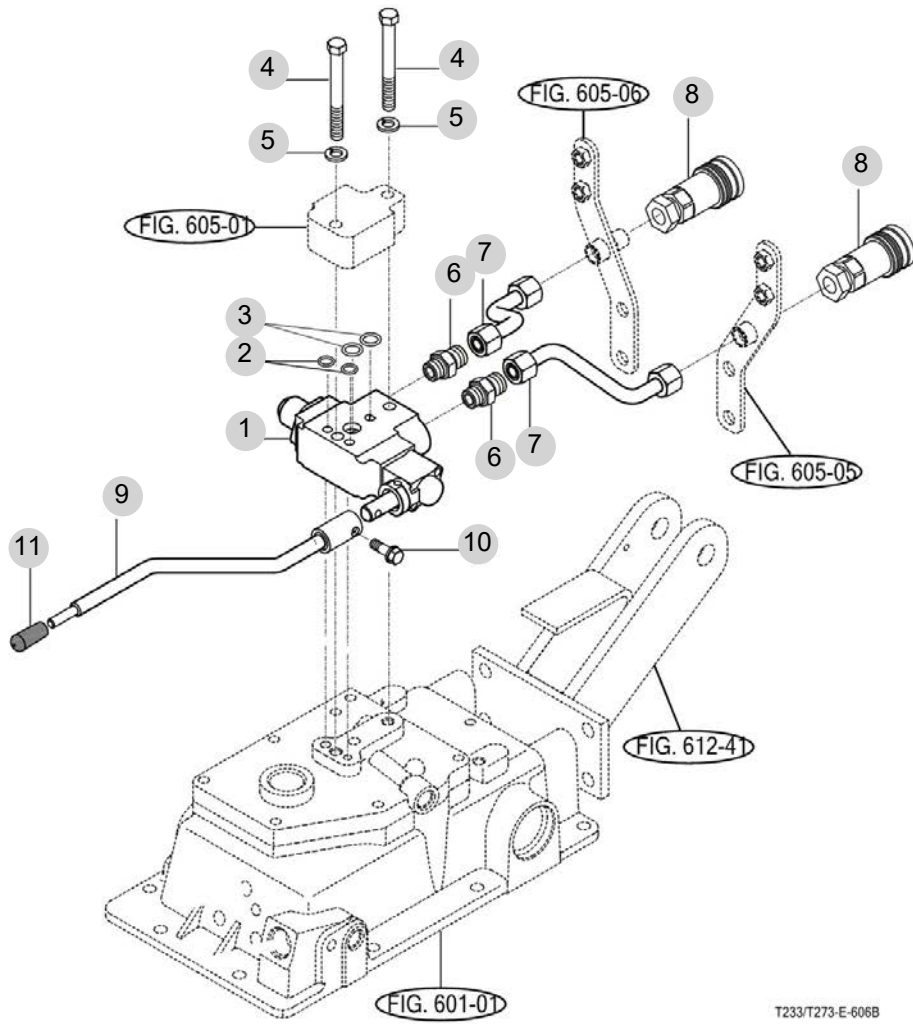
FIG 606

T265NHEU

REMOTE CONTROL VALVE

년/월
Year/Month

2022-12



T233/T273-E-606B

NOTE

| FIG 606 T265NHEU | | REMOTE CONTROL VALVE | | | | | 년/월 Year/Month | |
|---------------------|---------|----------------------|----------------|--------|--------|----------------|-------------------|--|
| | | | | | | | 2022-12 | |
| KEY NO | PART NO | DESCRIPTION | SPEC | QTY | REPAIR | EFFECTIVE DATE | REMARKS | |
| 606 | 1 | 17685080950 | 외부유압밸브(DETENT) | | 1 | | | |
| 606 | 2 | V7201019010 | O링(P) | P10 | 2 | | | |
| 606 | 3 | V7201024016 | O링(P) | P16 | 2 | | | |
| 606 | 4 | V2013610090 | 소형육각볼트(보통) | M10X90 | 2 | | | |
| 606 | 5 | V4011600100 | 스프링와셔 | M10 | 2 | | | |
| 606 | 6 | 16995304000 | 유니온(오링) | | 2 | | | |
| 606 | 7 | 13155122203 | 파이프 COMP(외부유압) | | 2 | | | |
| 606 | 8 | 12105301001 | 커플링A(암) | | 2 | | | |
| 606 | 9 | 13155122103 | 외부유압레버 COMP | | 1 | | | |
| 606 | 10 | V2173608025 | 소형육각볼트보통(S) | M8X25 | 1 | | | |
| 606 | 11 | 21615250020 | 레버손잡이(적색) | | 1 | | | |
| | | | | | | | | |
| | | | | | | | | |
| | | | | | | | | |
| | | | | | | | | |
| | | | | | | | | |
| | | | | | | | | |
| | | | | | | | | |
| | | | | | | | | |
| | | | | | | | | |
| | | | | | | | | |
| | | | | | | | | |
| | | | | | | | | |
| | | | | | | | | |
| | | | | | | | | |
| | | | | | | | | |
| | | | | | | | | |
| | | | | | | | | |
| | | | | | | | | |
| | | | | | | | | |
| | | | | | | | | |
| | | | | | | | | |
| | | | | | | | | |
| | | | | | | | | |
| | | | | | | | | |
| NOTE | | | | | | | | |

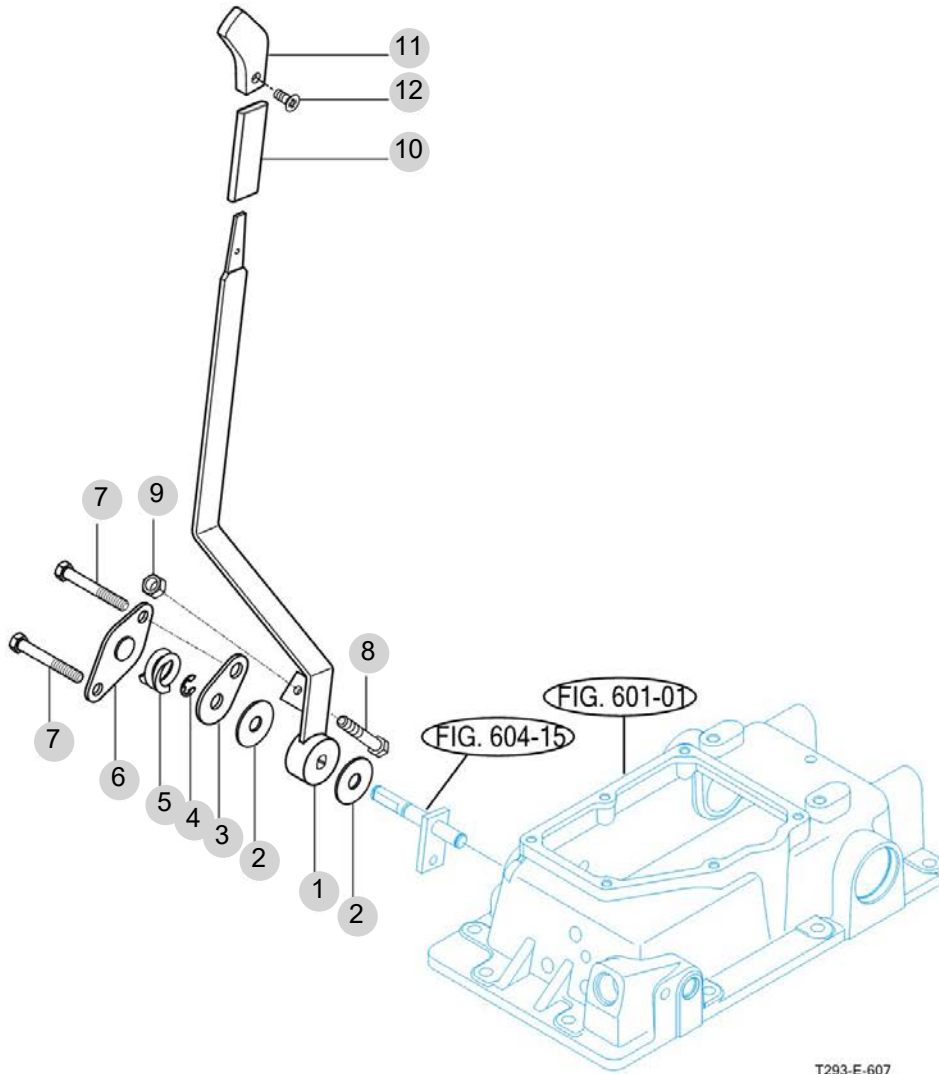
FIG 607

T265NHEU

POSITION LEVER LINKAGE

년/월
Year/Month

2022-12



T293-E-607

NOTE

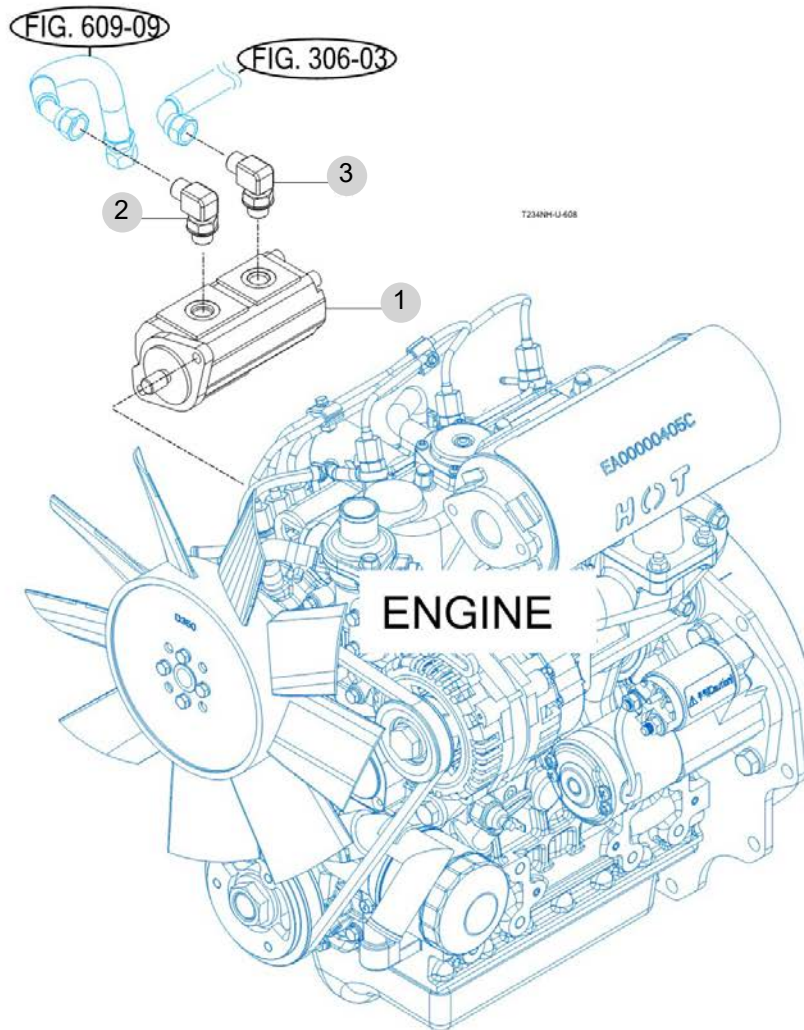
FIG 608

T265NHEU

GEAR PUMP

년/월
Year/Month

2022-12



NOTE

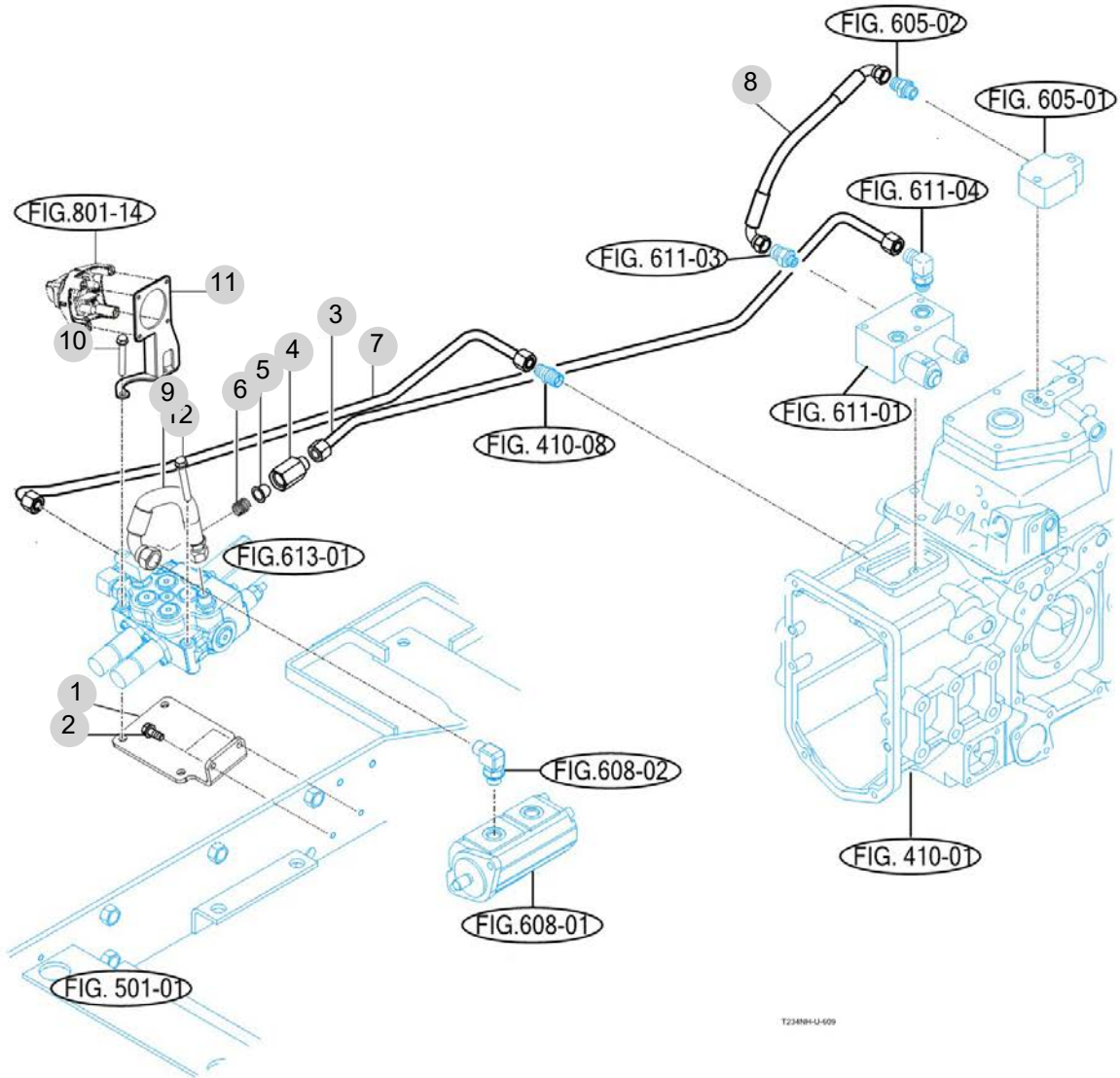
FIG 609

T265NHEU

HYDRAULIC HOSE (1)

년/월
Year/Month

2022-12



T265NHEU-609

NOTE

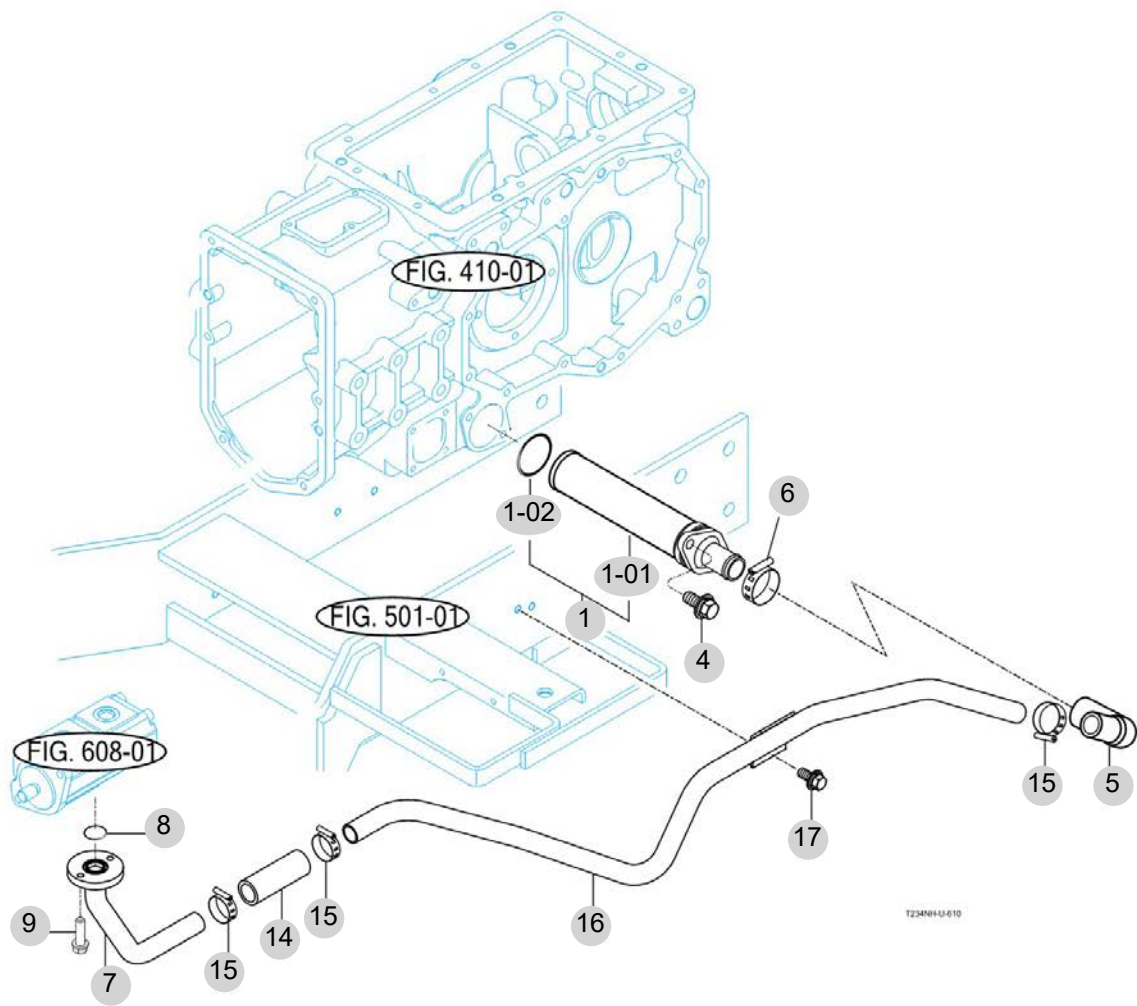
FIG 610

T265NHEU

HYDRAULIC HOSE (2)

년/월
Year/Month

2022-12



NOTE

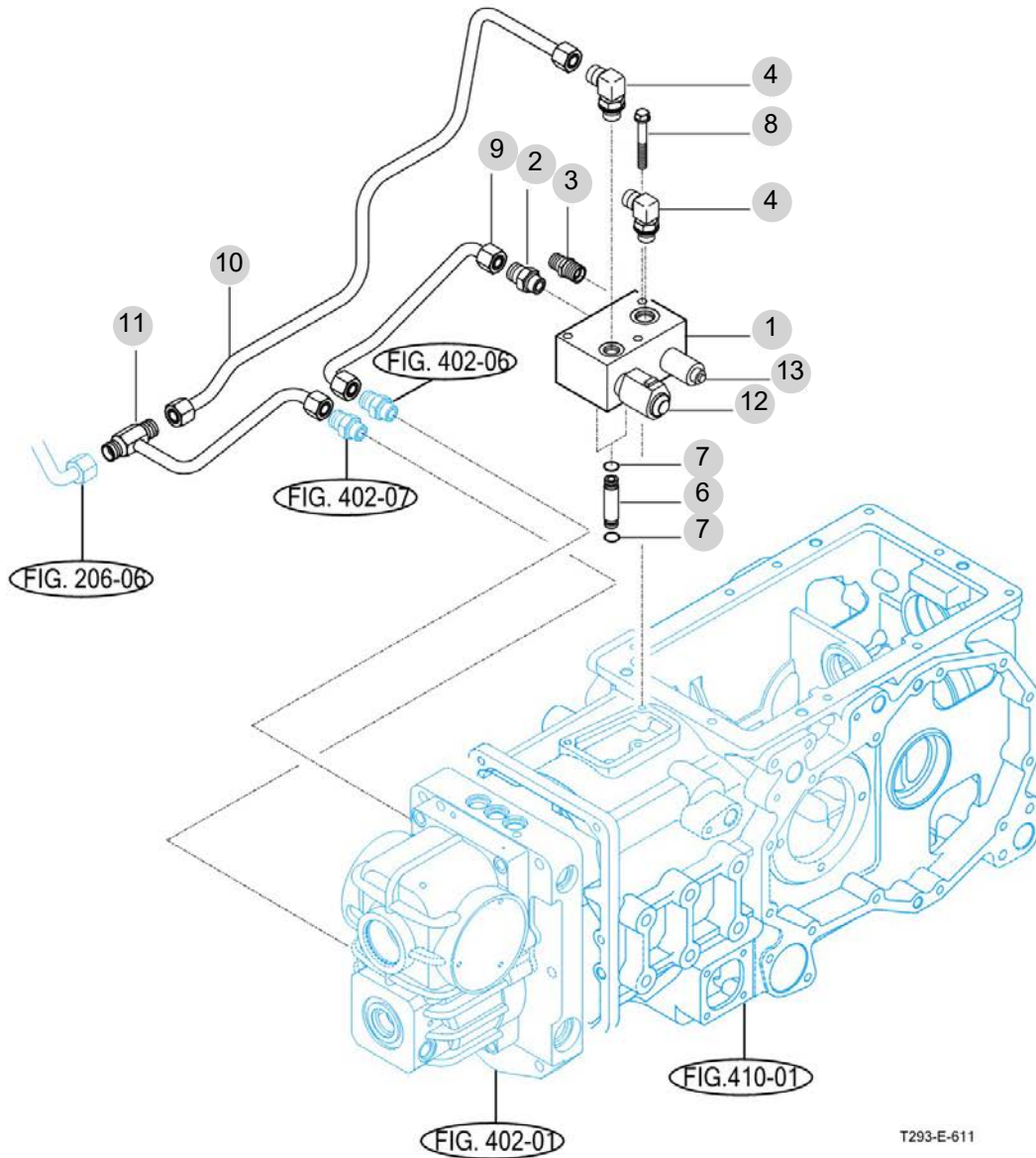
FIG 611

T265NHEU

PTO VALVE

년/월
Year/Month

2022-12



T293-E-611

NOTE

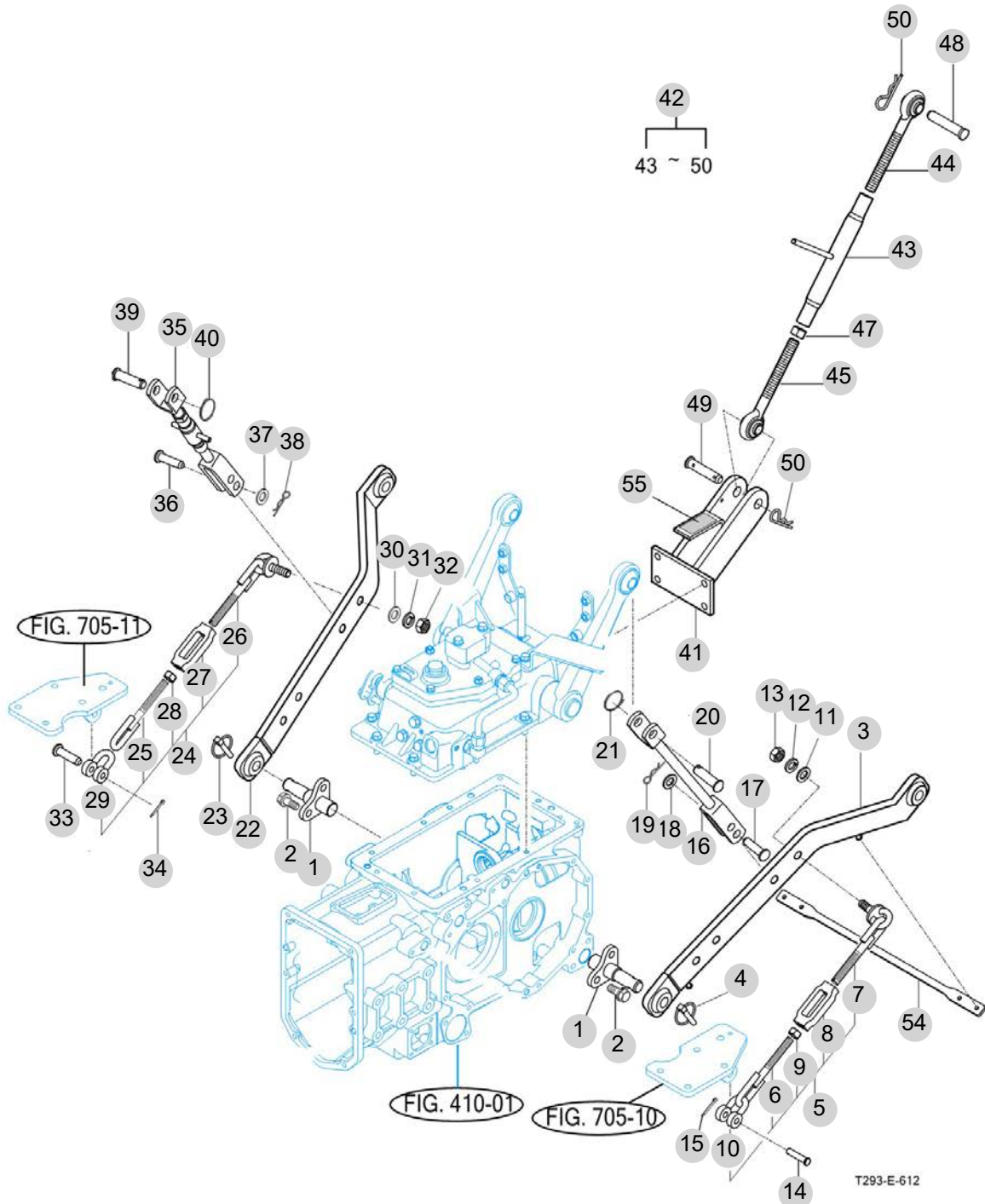
FIG 612

3-POINT LINKAGE

년/월
Year/Month

T265NHEU

2022-12



NOTE

| FIG 612 | | 3-POINT LINKAGE | | | | | 년/월 Year/Month | | |
|----------|----|-----------------|---------------|-------------|------|-----|-------------------|----------------|---------|
| | | | | | | | 2022-12 | | |
| T265NHEU | | KEY NO | PART NO | DESCRIPTION | SPEC | QTY | REPAIR | EFFECTIVE DATE | REMARKS |
| 612 | 1 | 13155205100 | 핀(115) COMP | | | 2 | | | |
| 612 | 2 | V2173612030 | 소형육각볼트보통(S) | M12X30 | | 4 | | | |
| 612 | 3 | 13155202202 | 로어링크(좌) COMP | | | 1 | | | |
| 612 | 4 | 14215020020 | 링크핀 | | | 1 | | | |
| 612 | 5 | 13155202501 | 체인(체크) 조합 | | | 1 | | | |
| 612 | 6 | 14585142600 | 체인(체크,RH)COMP | | | 1 | | | |
| 612 | 7 | 14585142700 | 체인(체크,LH)COMP | | | 1 | | | |
| 612 | 8 | 13155202511 | 터언버클 | | | 1 | | | |
| 612 | 9 | V3012600140 | 육각너트보통2종 | M14 | | 1 | | | |
| 612 | 10 | 14585142520 | 체크체인 샤클 | | | 1 | | | |
| 612 | 11 | V4111600160 | 평와셔 | M16 | | 1 | | | |
| 612 | 12 | V4011600160 | 스프링와셔 | M16 | | 1 | | | |
| 612 | 13 | V3313600160 | 육각너트가는2종 | M16 | | 1 | | | |
| 612 | 14 | 79636110030 | 핀(12X48) | | | 1 | | | |
| 612 | 15 | V5001930020 | 분할핀 | | | 1 | | | |
| 612 | 16 | 13155202401 | 리프트로드(좌) COMP | | | 1 | | | |
| 612 | 17 | 79636130050 | 핀(16X60) | | | 1 | | | |
| 612 | 18 | V4111600160 | 평와셔 | M16 | | 1 | | | |
| 612 | 19 | 13059310030 | 헤어핀(D=2.3) | | | 1 | | | |
| 612 | 20 | 12505243500 | 핀 | | | 1 | | | |
| 612 | 21 | 12505240060 | 스프링 | | | 1 | | | |
| 612 | 22 | 13155203102 | 로어링크(우) COMP | | | 1 | | | |
| 612 | 23 | 14215020020 | 링크핀 | | | 1 | | | |
| 612 | 24 | 13155202501 | 체인(체크) 조합 | | | 1 | | | |
| 612 | 25 | 14585142600 | 체인(체크,RH)COMP | | | 1 | | | |
| 612 | 26 | 14585142700 | 체인(체크,LH)COMP | | | 1 | | | |
| 612 | 27 | 13155202511 | 터언버클 | | | 1 | | | |
| 612 | 28 | V3012600140 | 육각너트보통2종 | M14 | | 1 | | | |
| 612 | 29 | 14585142520 | 체크체인 샤클 | | | 1 | | | |
| 612 | 30 | V4111600160 | 평와셔 | M16 | | 1 | | | |
| 612 | 31 | V4011600160 | 스프링와셔 | M16 | | 1 | | | |
| 612 | 32 | V3313600160 | 육각너트가는2종 | M16 | | 1 | | | |
| 612 | 33 | 79636110030 | 핀(12X48) | | | 1 | | | |
| 612 | 34 | V5001930020 | 분할핀 | | | 1 | | | |
| 612 | 35 | 13155203201 | 리프트로드(우) COMP | | | 1 | | | |
| 612 | 36 | 79636130050 | 핀(16X60) | | | 1 | | | |
| 612 | 37 | V4111600160 | 평와셔 | M16 | | 1 | | | |
| 612 | 38 | 13059310030 | 헤어핀(D=2.3) | | | 1 | | | |
| 612 | 39 | 12505243500 | 핀 | | | 1 | | | |
| 612 | 40 | 12505240060 | 스프링 | | | 1 | | | |
| 612 | 41 | 13155204104 | 톱링크 브래킷 COMP | | | 1 | | | |
| 612 | 42 | 13155206002 | 톱링크 ASSY | | | 1 | | | |
| 612 | 42 | 13155206003 | 톱링크 ASSY | | | 1 | | | |
| 612 | 42 | 13155206004 | 톱링크 ASSY | | | 1 | | | |
| 612 | 43 | 13155206111 | 터언버클 | | | 1 | | | |
| NOTE | | | | | | | | | |

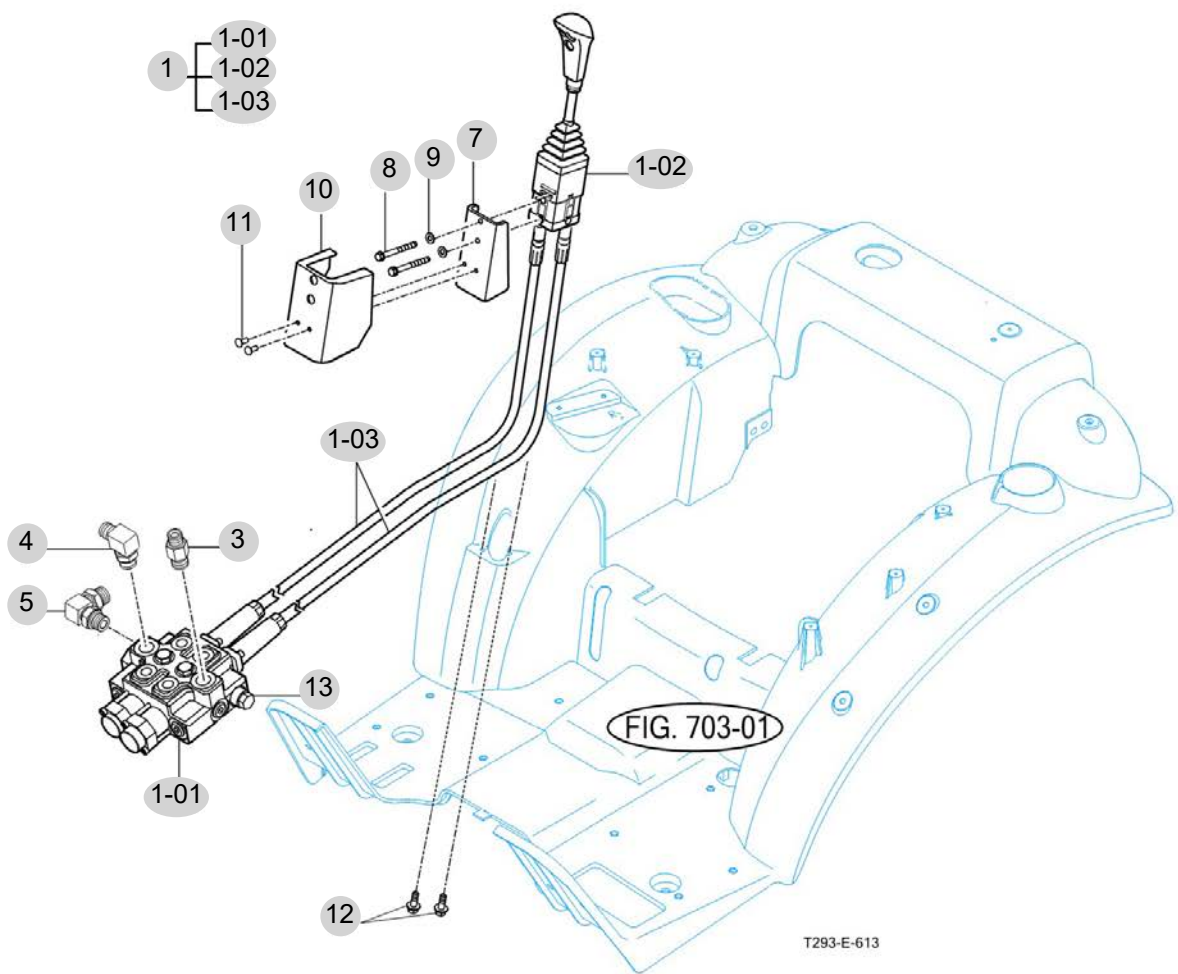
FIG 613

JOYSTICK LEVER

년/월
Year/Month

2022-12

T265NHEU



NOTE

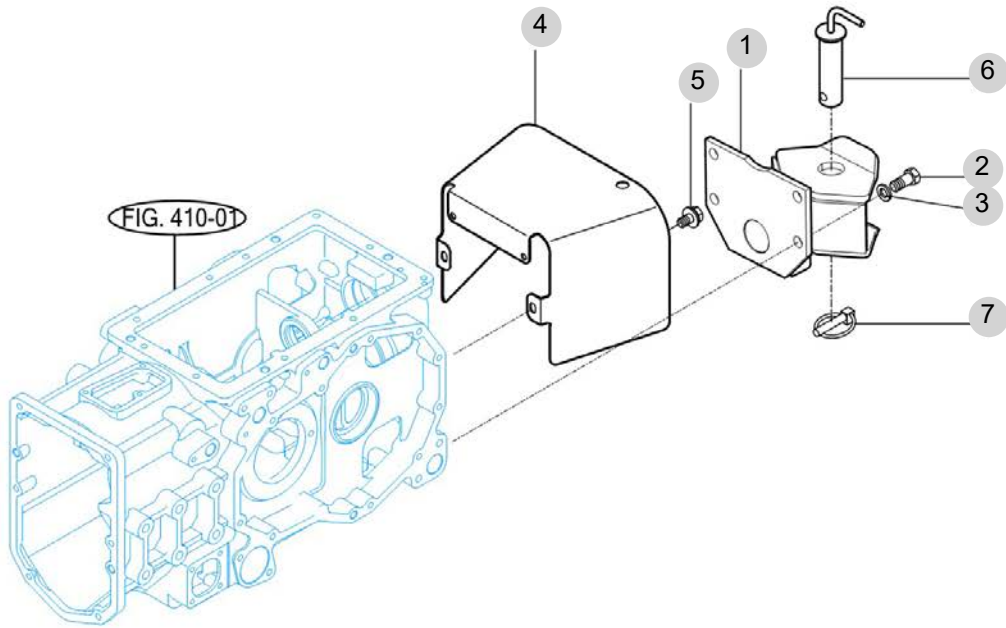
FIG 614

T265NHEU

HITCH & COVER

년/월
Year/Month

2022-12



T293-E-614

NOTE

| | | | | | | |
|----------------------------------------------------------------------------------------|-----------------------------------------------------------------------|--|--|--|--|---------------------------|
| <p style="text-align: center;">FIG 614</p> <p style="text-align: center;">T265NHEU</p> | <p style="font-size: 1.5em; font-weight: bold;">HITCH & COVER</p> | | | | | <p>년/월 Year/Month</p> |
| | | | | | | <p>2022-12</p> |

| KEY NO | PART NO | DESCRIPTION | SPEC | QTY | REPAIR | EFFECTIVE DATE | REMARKS |
|--------|---------|---------------|---------------|-----|--------|----------------|---------|
| 614 | 1 | 13195212100GB | 트레일러 히치 COMP | 1 | | | |
| 614 | 1 | 12125122100GB | 클레비스 커플링 ASSY | 1 | | | |
| 614 | 2 | V2013614030 | 소형육각볼트(보통) | 4 | | | |
| 614 | 3 | V4011600140 | 스프링와셔 | 4 | | | |
| 614 | 4 | 13195201010GB | PTO 보호구 | 1 | | | |
| 614 | 5 | V2183608016 | 소형육각볼트보통(SP) | 4 | | | |
| 614 | 6 | 13195213100 | 트레일러핀(완) | 1 | | | |
| 614 | 7 | 14215020020 | 링크핀 | 1 | | | |
| | | | | | | | |
| | | | | | | | |
| | | | | | | | |
| | | | | | | | |
| | | | | | | | |
| | | | | | | | |
| | | | | | | | |
| | | | | | | | |
| | | | | | | | |
| | | | | | | | |
| | | | | | | | |
| | | | | | | | |
| | | | | | | | |
| | | | | | | | |
| | | | | | | | |
| | | | | | | | |
| | | | | | | | |
| | | | | | | | |
| | | | | | | | |
| | | | | | | | |
| | | | | | | | |
| | | | | | | | |
| | | | | | | | |
| | | | | | | | |
| | | | | | | | |
| | | | | | | | |
| | | | | | | | |
| | | | | | | | |
| | | | | | | | |
| | | | | | | | |

NOTE

7. 시트메탈/캐빈 PART NO. T7

| | |
|--------------------|-----|
| FIG 701 BONNET | 171 |
| FIG 701-2 BONNET | 173 |
| FIG 702 DASH PANEL | 175 |
| FIG 703 FLOOR | 177 |
| FIG 704 SEAT | 179 |
| FIG 705 ROPS | 181 |

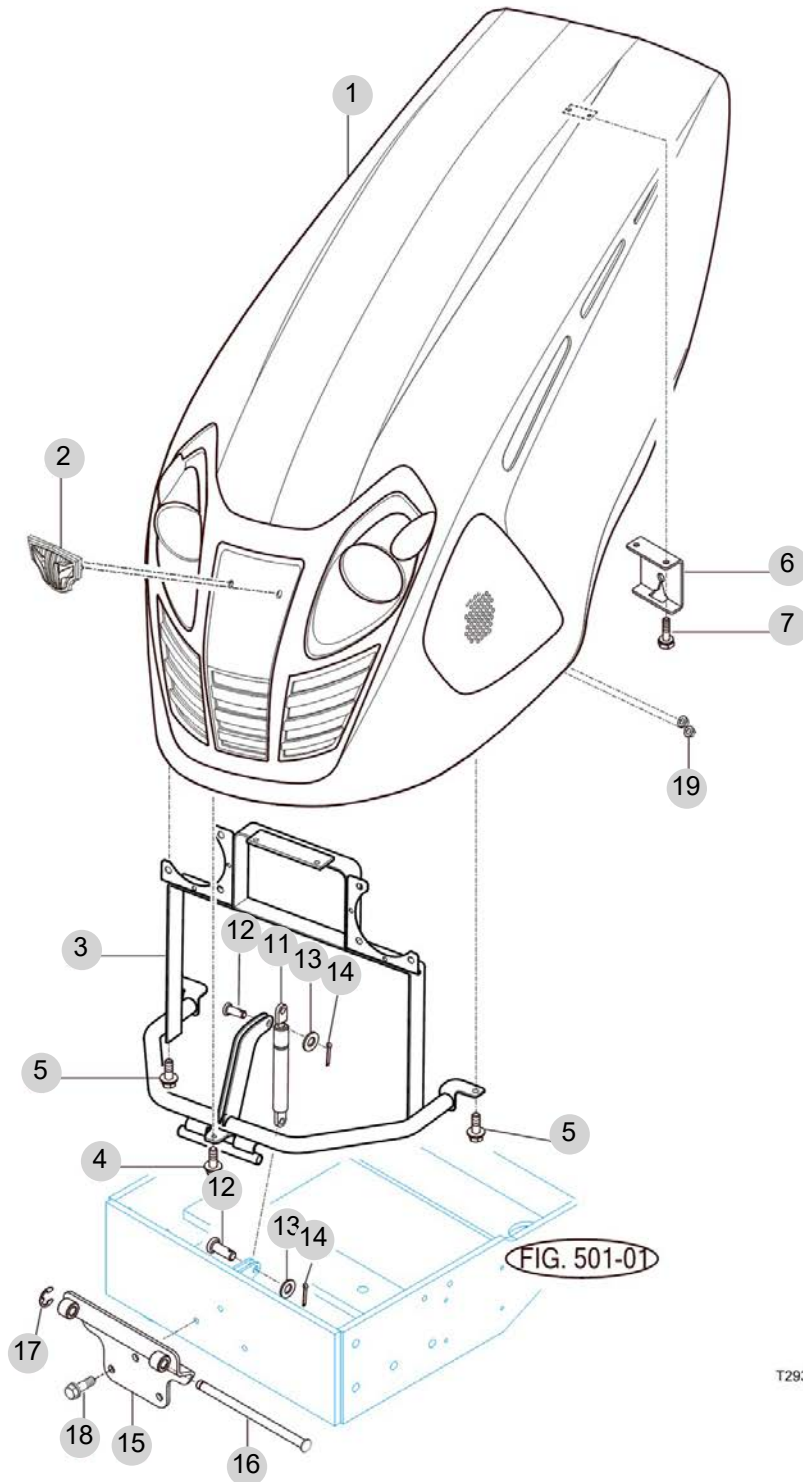
FIG 701

T265NHEU

BONNET

년/월
Year/Month

2022-12



T293-E-701

NOTE

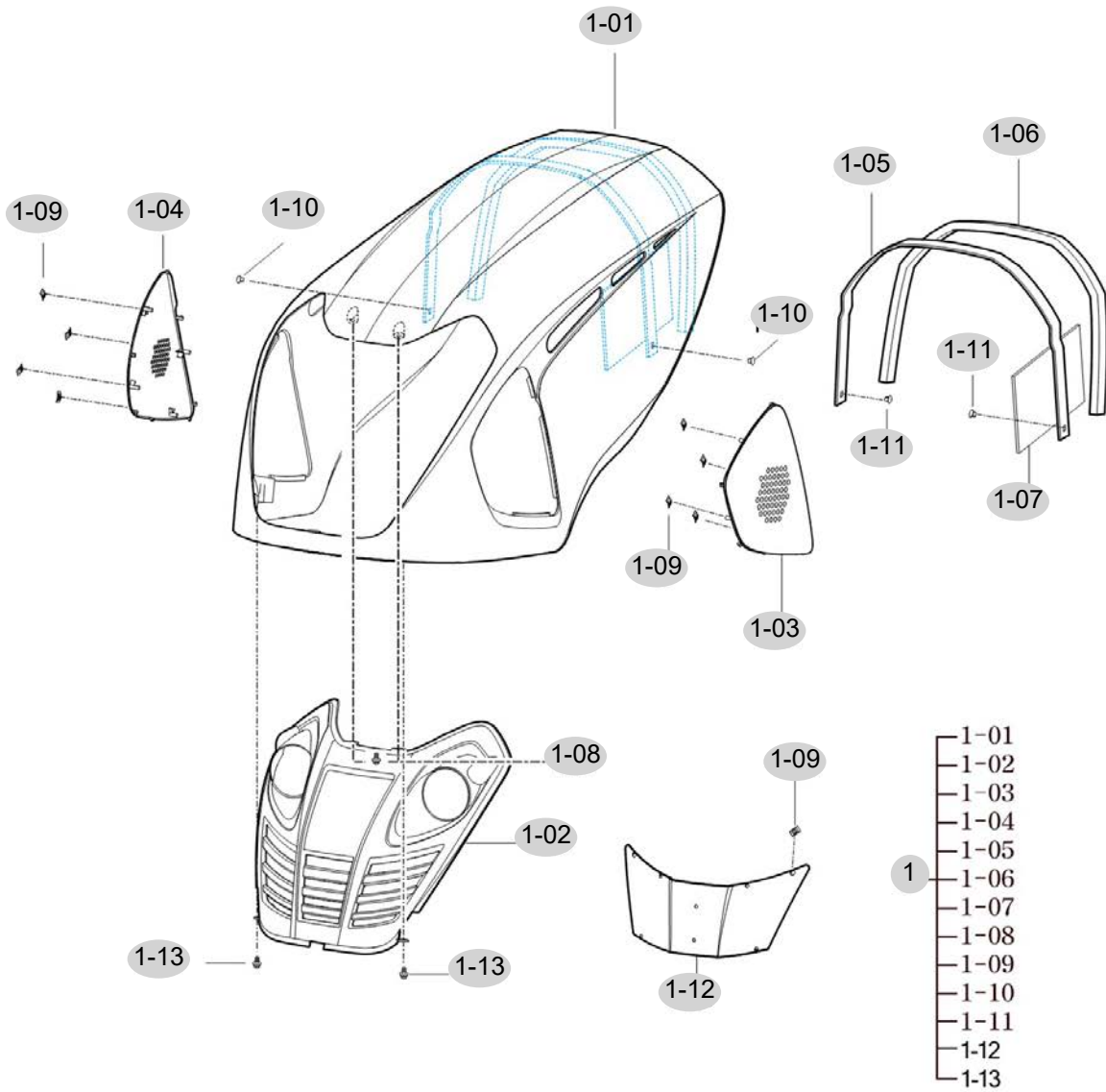
FIG 701-2

T265NHEU

BONNET

년/월
Year/Month

2022-12



T293-E-701B

NOTE

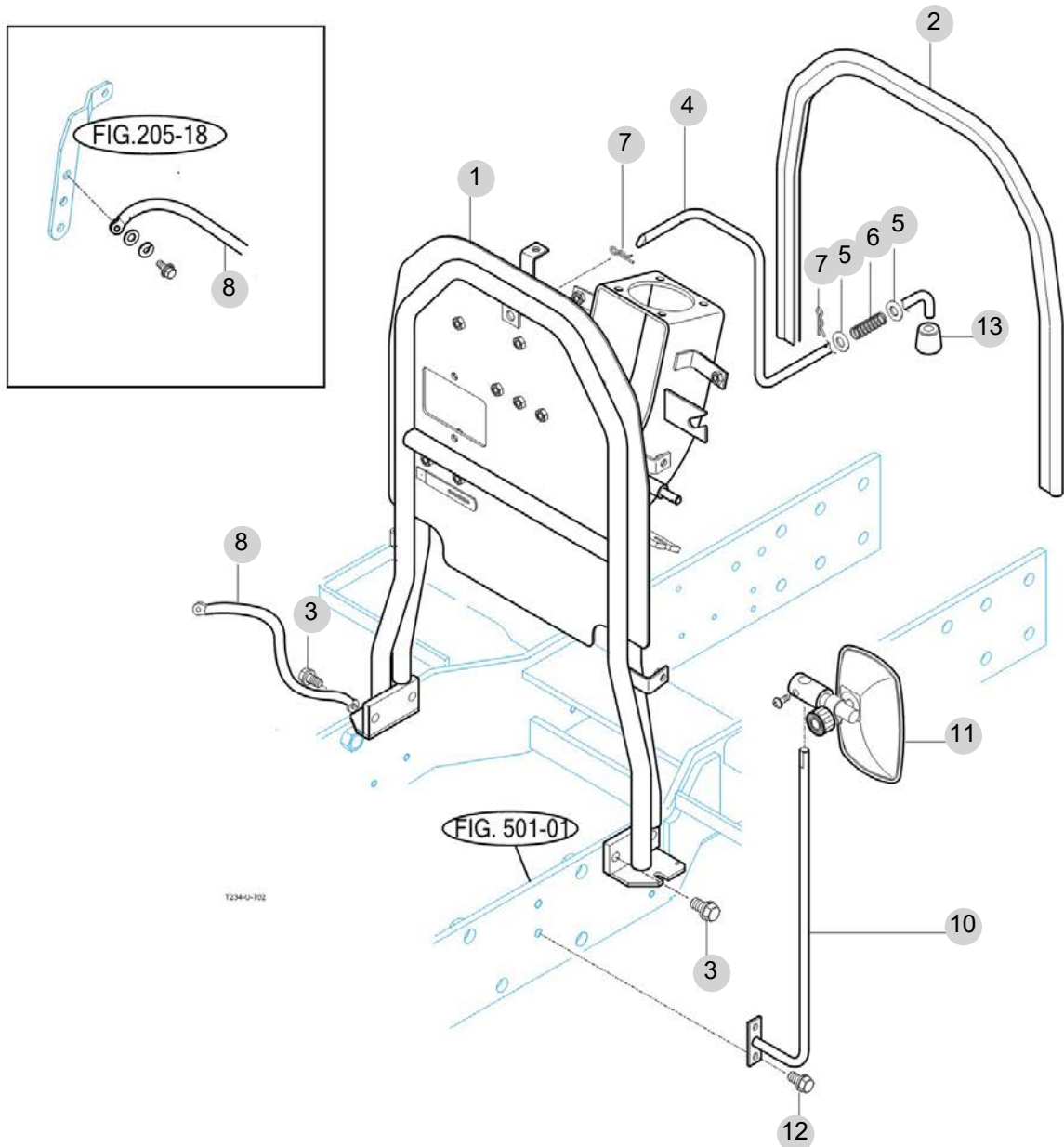
FIG 702

T265NHEU

DASH PANEL

년/월
Year/Month

2022-12



NOTE

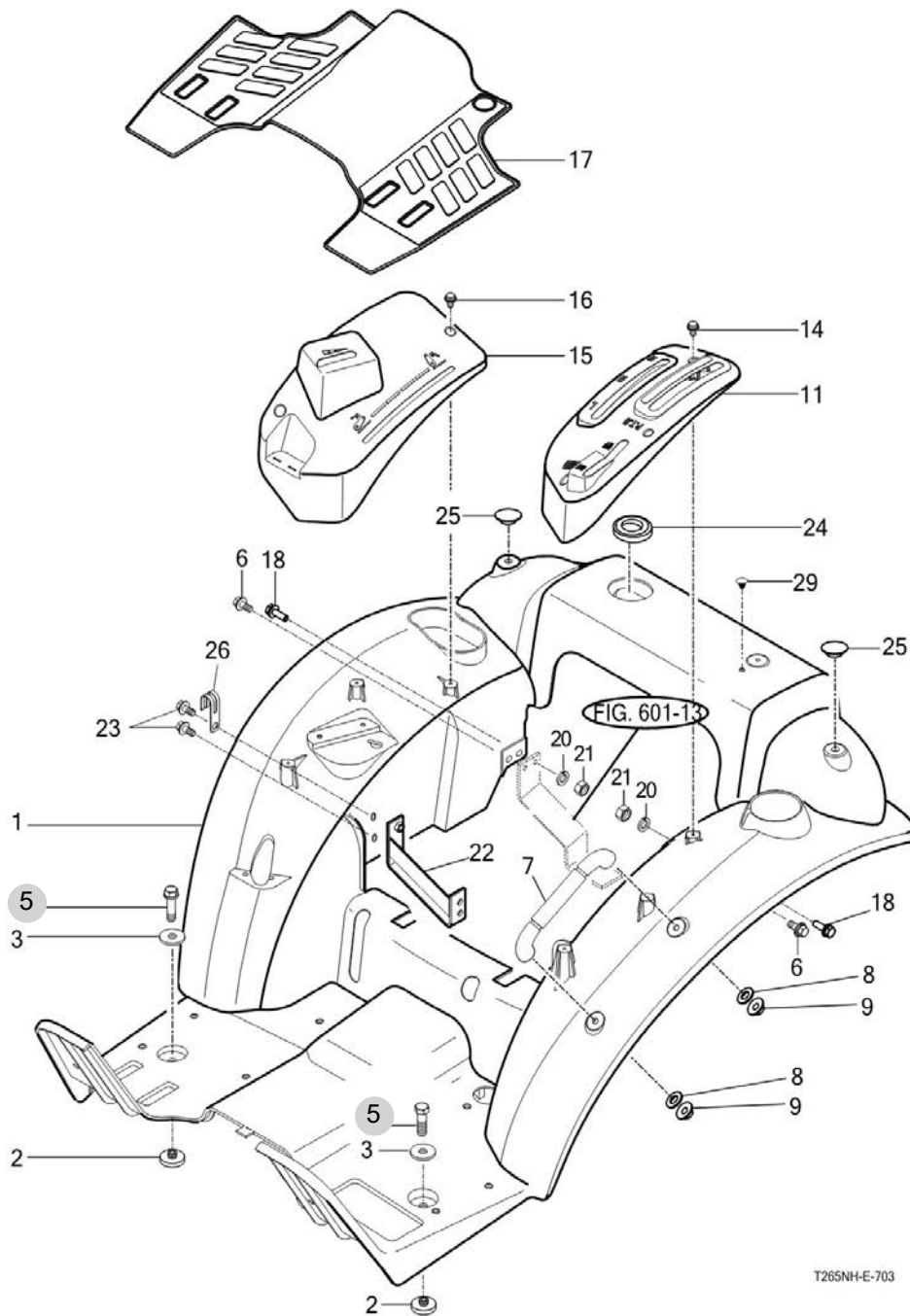
FIG 703

T265NHEU

FLOOR

년/월
Year/Month

2022-12



T265NH-E-703

NOTE

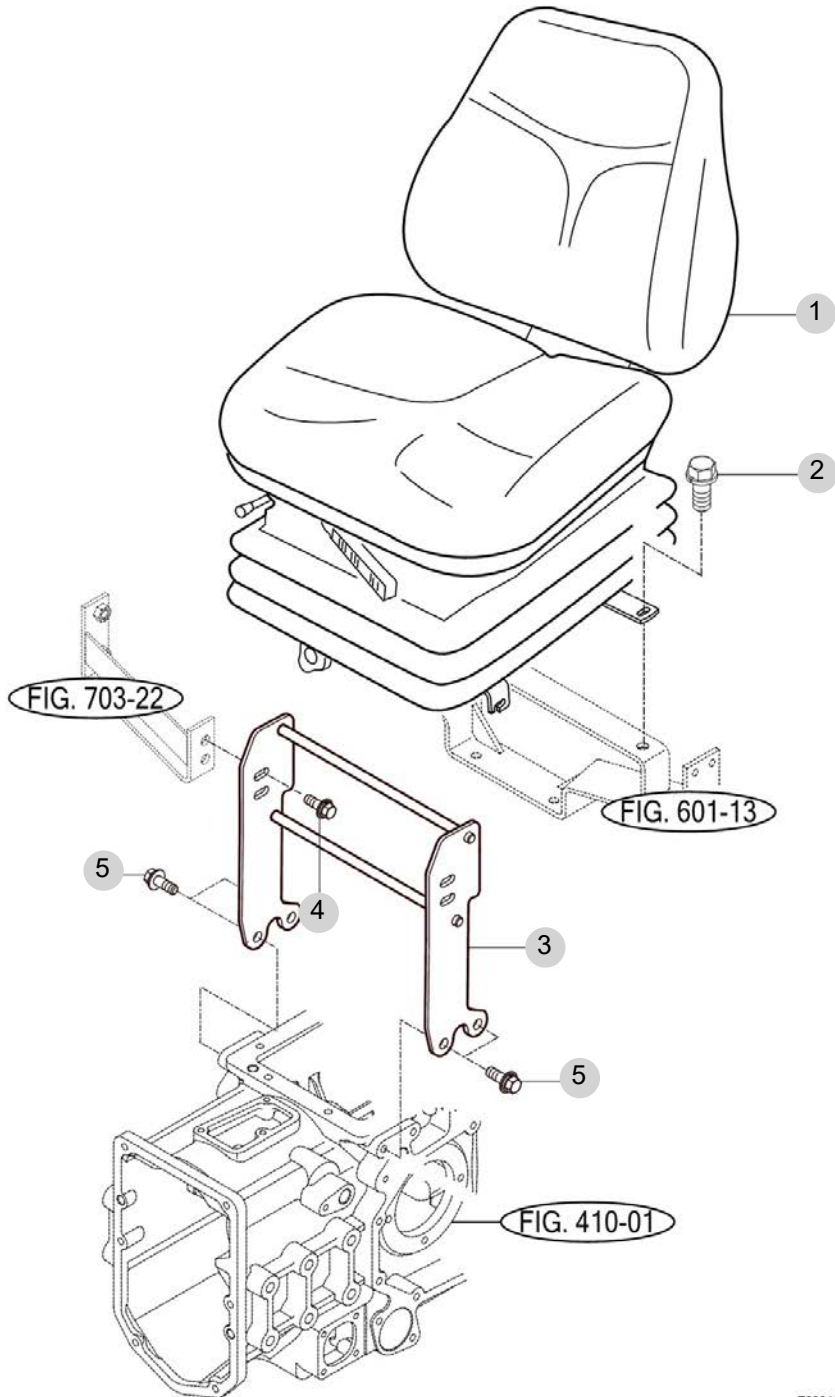
FIG 704

T265NHEU

SEAT

년/월
Year/Month

2022-12



T2334/T2734-E-704

NOTE

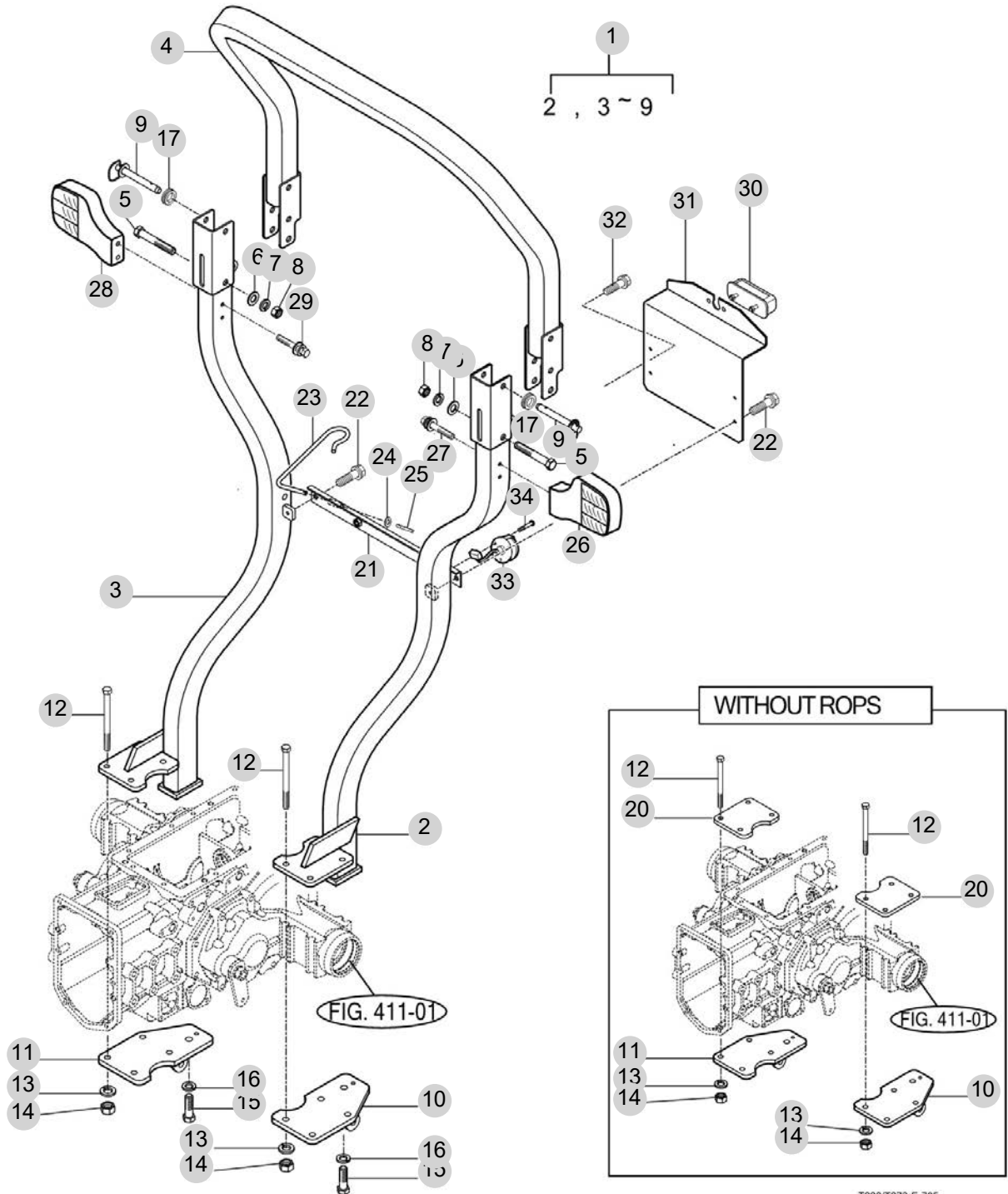
FIG 705

T265NHEU

ROPS

년/월
Year/Month

2022-12



T233/T273-E-705

NOTE

8. 전장 PART NO. T8

| | |
|----------------------------|-----|
| FIG 801 BATTERY & MOUNTING | 184 |
| FIG 802 LIGHTS | 186 |
| FIG 803 INSTRUMENT PANEL | 188 |
| FIG 804 ELECTRIC SYSTEM | 190 |
| FIG 805 HARNESS | 192 |

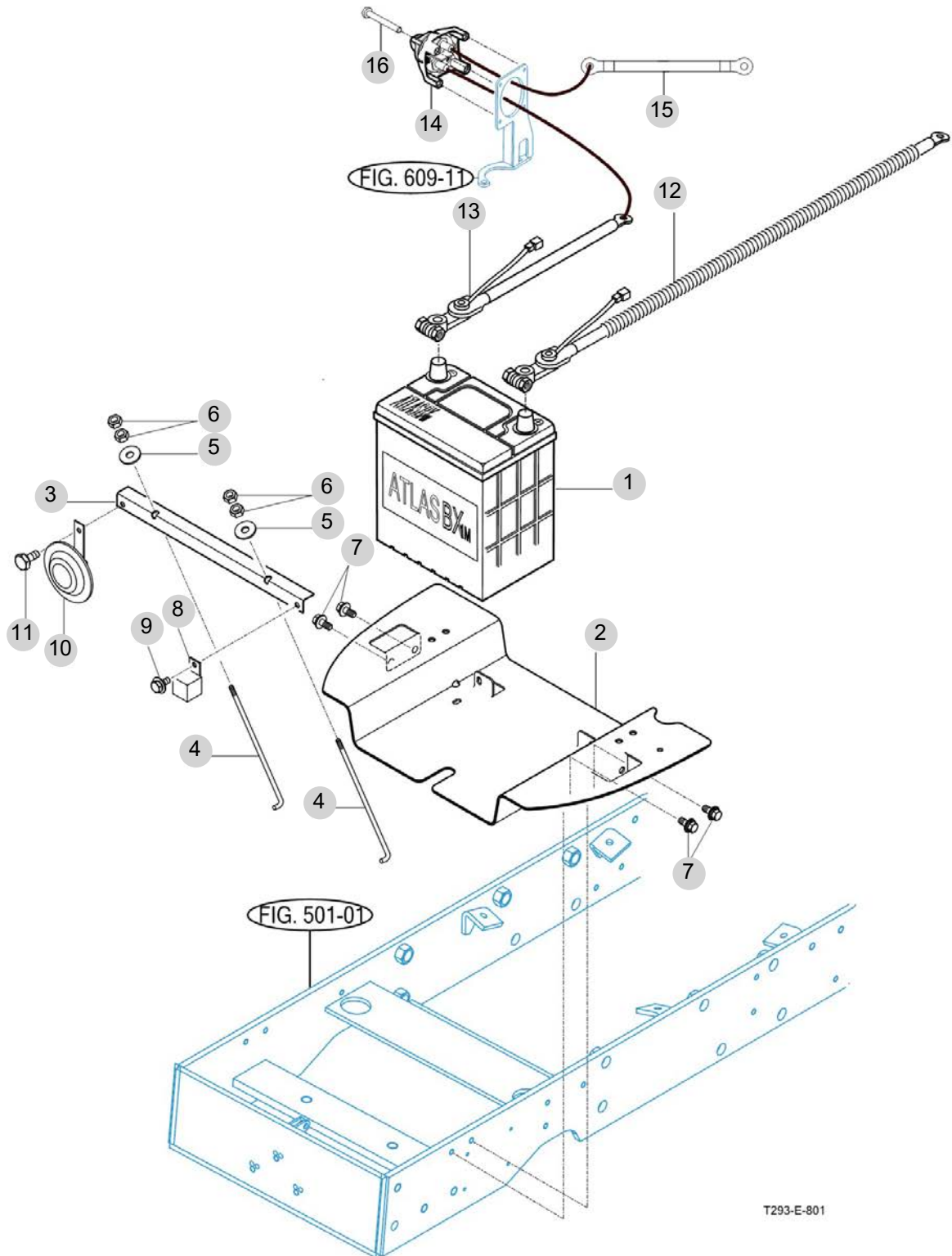
FIG 801

T265NHEU

BATTERY & MOUNTING

년/월
Year/Month

2022-12



T293-E-801

NOTE

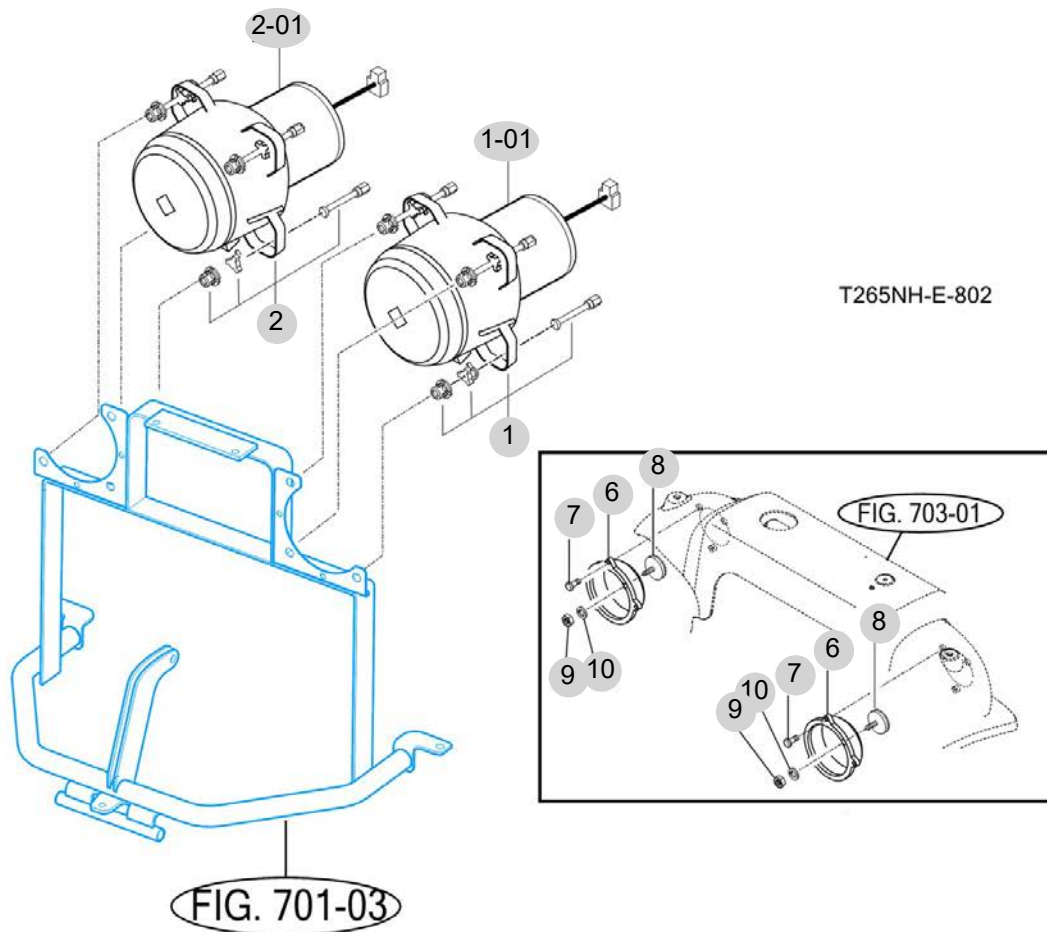
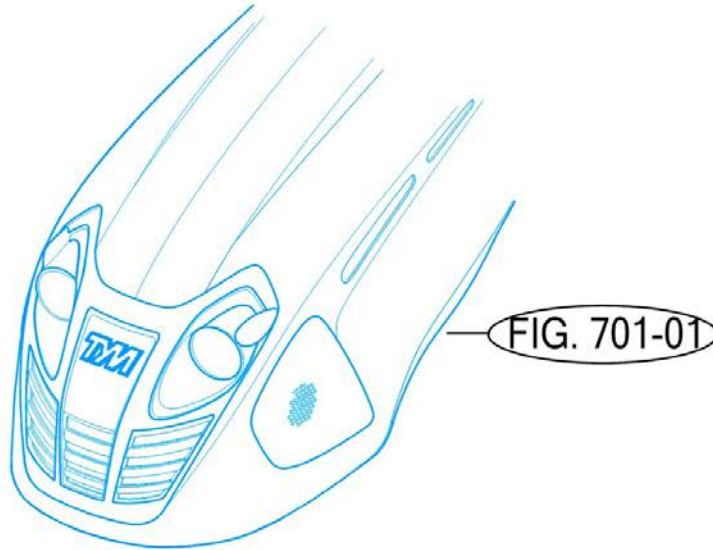
FIG 802

T265NHEU

LIGHTS

년/월
Year/Month

2022-12



NOTE

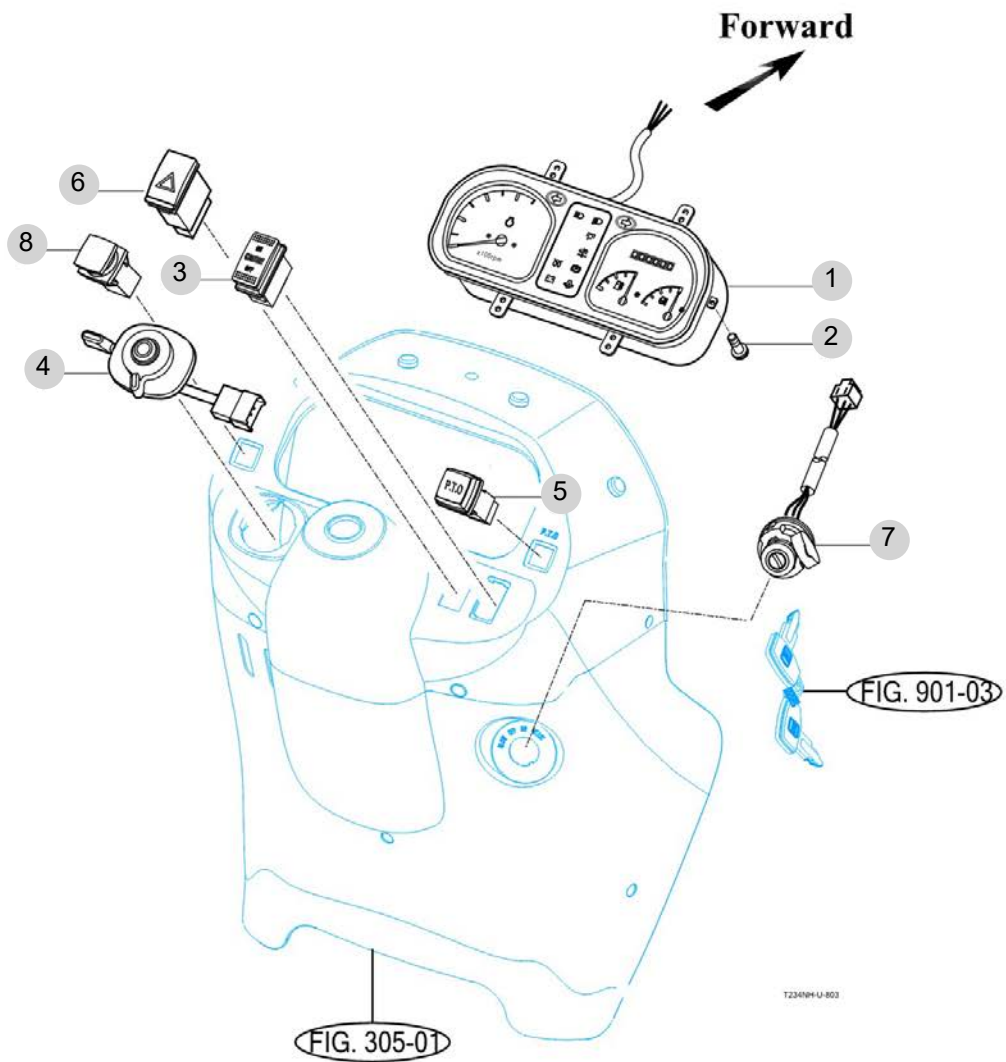
FIG 803

T265NHEU

INSTRUMENT PANEL

년/월
Year/Month

2022-12



NOTE

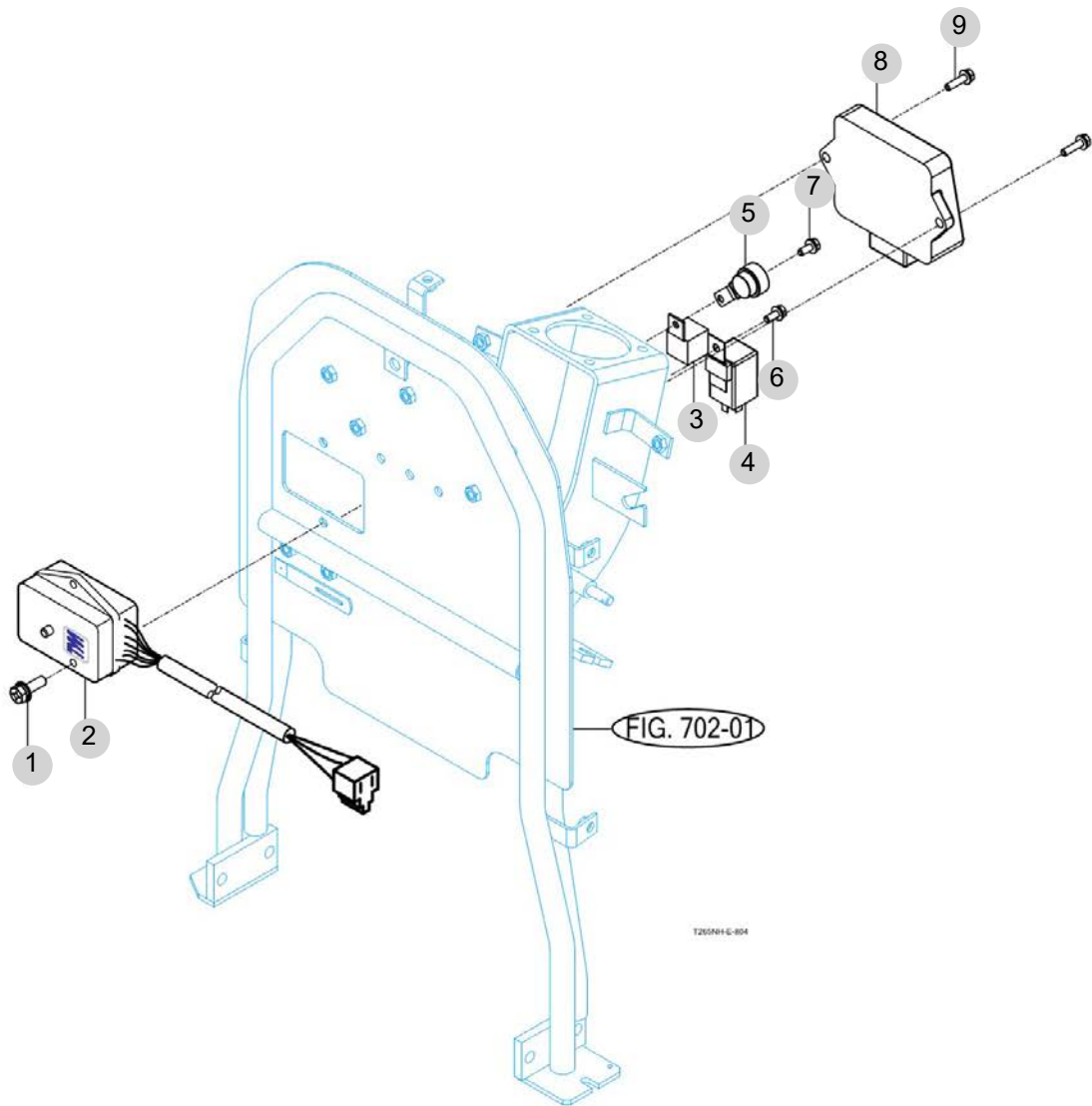
FIG 804

T265NHEU

ELECTRIC SYSTEM

년/월
Year/Month

2022-12



NOTE

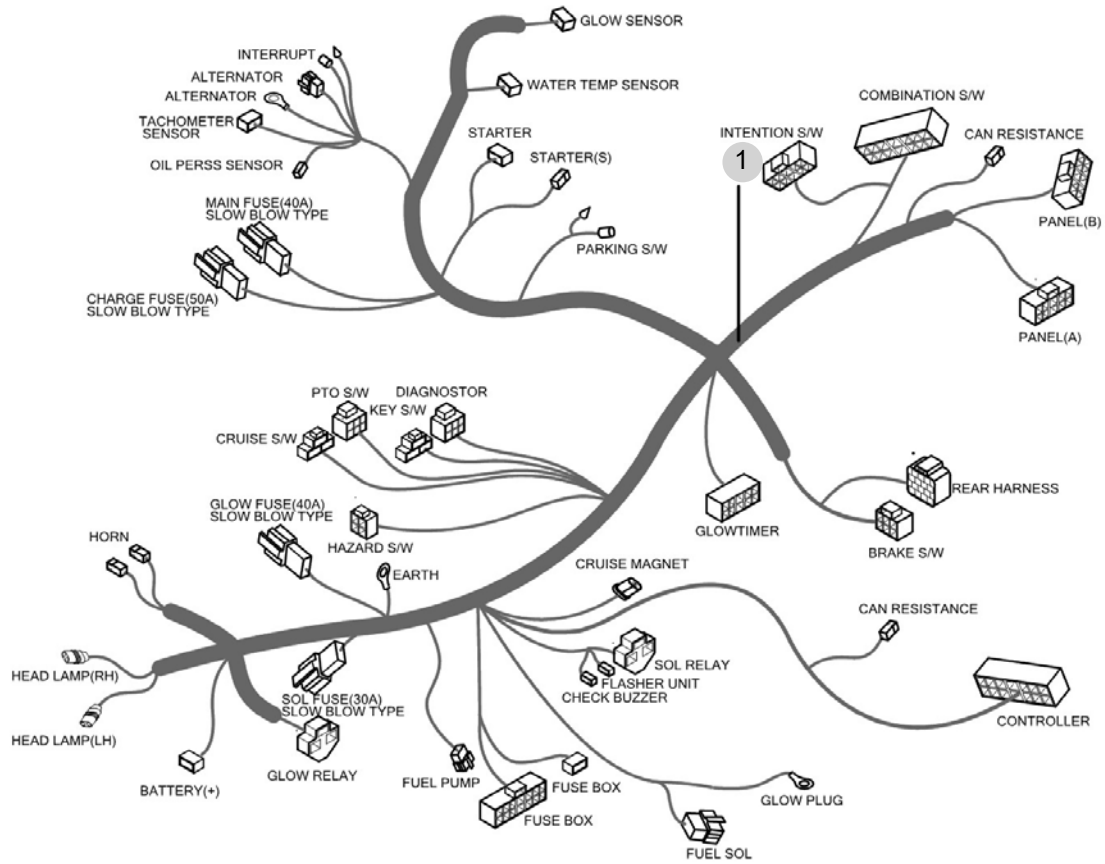
FIG 805

HARNESS

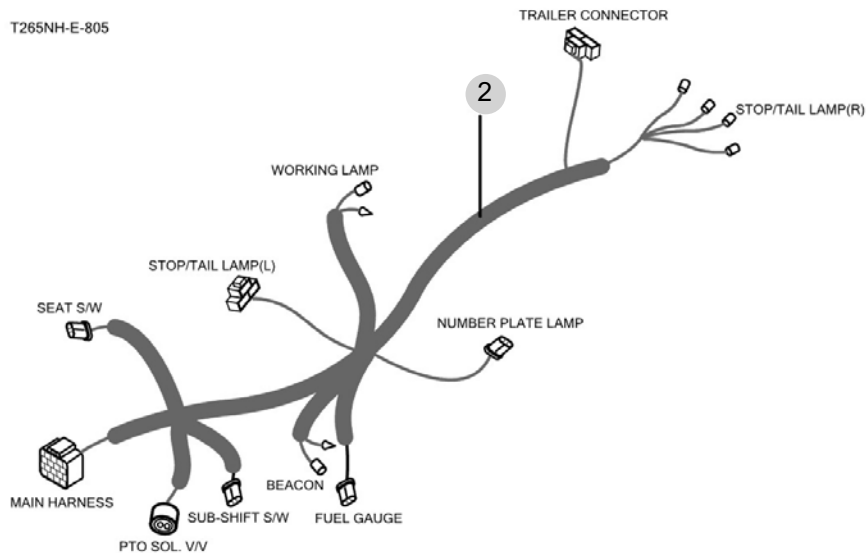
년/월
Year/Month

2022-12

T265NHEU



T265NH-E-805



NOTE

| FIG 805 T265NHEU | | HARNESS | | | | | 년/월 Year/Month | |
|---------------------|---------|-------------|--------------|-----|--------|----------------|-------------------|--|
| | | | | | | | 2022-12 | |
| KEY NO | PART NO | DESCRIPTION | SPEC | QTY | REPAIR | EFFECTIVE DATE | REMARKS | |
| 805 | 1 | 14166683000 | 하니스(메인) ASSY | | 1 | | | |
| 805 | 1 | 14166683001 | 하니스(메인) ASSY | | 1 | | | |
| 805 | 2 | 14166683600 | 하니스(리어)ASSY | | 1 | | | |
| 805 | 2 | 14166683601 | 하니스(리어)ASSY | | 1 | | | |
| | | | | | | | | |
| | | | | | | | | |
| | | | | | | | | |
| | | | | | | | | |
| | | | | | | | | |
| | | | | | | | | |
| | | | | | | | | |
| | | | | | | | | |
| | | | | | | | | |
| | | | | | | | | |
| | | | | | | | | |
| | | | | | | | | |
| | | | | | | | | |
| | | | | | | | | |
| | | | | | | | | |
| | | | | | | | | |
| | | | | | | | | |
| | | | | | | | | |
| | | | | | | | | |
| | | | | | | | | |
| | | | | | | | | |
| | | | | | | | | |
| | | | | | | | | |
| | | | | | | | | |
| | | | | | | | | |
| | | | | | | | | |
| | | | | | | | | |
| | | | | | | | | |
| | | | | | | | | |
| | | | | | | | | |
| | | | | | | | | |
| | | | | | | | | |
| | | | | | | | | |
| NOTE | | | | | | | | |

9. 라벨/옵션 PART NO. T9

FIG 901 TOOL & ACCESSORY

195

FIG 902 WEIGHT

197

FIG 903 LABEL

199

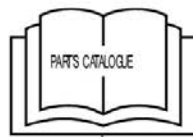
FIG 901

T265NHEU

TOOL & ACCESSORY

년/월
Year/Month

2022-12



T265NHEU-901

NOTE

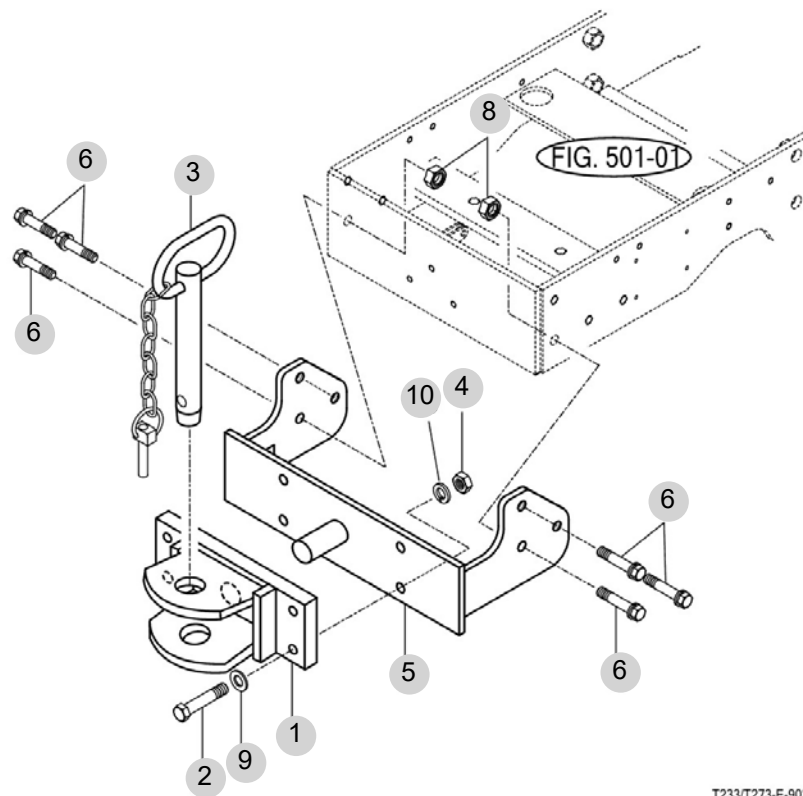
FIG 902

T265NHEU

WEIGHT

년/월
Year/Month

2022-12



NOTE

FIG 903

LABEL

년/월
Year/Month

T265NHEU

2022-12

1 **WARNING**
Always apply the park brake when parking. Failure to do so can cause accidents and damages. 1200-910-003-0

2 **WARNING**
Work in ventilated Area. 1200-910-003-0

3 **WARNING**
Always set the knob to lock when:
1.Traveling on the road.
2.Replacing blades on an implement
3.Making adjustment to an implement
Sudden dropping of an implement can cause serious injury or death. 1200-910-003-0

4 **WARNING**
Do not refuel the tractor while smoking or near naked flame or sparks. always stop engine before refueling tractors. 1200-910-003-0

5 **WARNING**
Never use the diff-lock at high speed or on the road as this can cause rollover and injury. 1200-910-003-0

6 **WARNING**
Brake pedals must always be locked together when travelling on the highway. This will ensure uniform braking and provide maximum stopping ability sharp turns must only be made at slow speeds. 1200-910-003-0

7 **CAUTION**
Keep hands and clothing away from rotating fan and belts to prevent serious injury. 1200-910-013-0

8 **DANGER**
Rotating driveline contact can cause death. KEEP AWAY!
Keep all drive line. Tractor and equipment shields in place during operation. 1200-910-003-0

10 **WARNING**
Attach implements and trailers to the tractor only using the prescribed drawbar or hitch. 1200-910-013-0

11 **DANGER**
Do not ride except operator. 1200-910-003-0

12 **WARNING**
Always fasten Your seat belt. 1200-910-013-0

14 **CAUTION**
Do not touch while the system is hot. It cause serious burns 1200-910-003-0

15 **WARNING**
1200-910-003-0

16 **WARNING**
1200-910-003-0

13 **WARNING**
Operator's manual 1200-910-003-0

21 **PARKING BRAKE**
Press down the master brake pedal and lock the parking lever at the same time 1200-910-003-0

22 REAR MID+REAR MID

23 **WARNING**
Do not use the accelerator lever except working on the field. 1200-910-003-0

24 **DANGER**
This Tractor may tip over unexpectedly and quicker than an operator is able to jump free
1.Never operate a tractor without a proper Roll over Protection Structure (ROPS)
2.Always wear your seat belt when operating this tractor equipped with roll over protection.
3.Never pull from above or from the rear axle.
4.Do not operate the tractor on steep slopes or near drop offs
5.Avoid sharp high speed turns
Serious injury or death may result from tractor upsets. 1200-904-003-0

25 **WARNING**
Death or injury may result if this tractor over turns with the ROPS in the folded down position. Operate this tractor with the ROPS folded down only when necessary. Do not wear seat belt if operated with ROPS folded down 1200-904-003-0

26 **WARNING**
1200-910-003-0

27 **WARNING**
1200-910-003-0

28 **T265**

29 **WARNING**
Stay clear of raised Boom and bucket. 1200-910-003-0

30 **WARNING**
Push the button to lock position with joystick lever is neutral whenever the implement is not operation. 1200-910-003-0

31 **EMISION CONTROL INFORMATION**
TONG YANG MOOL SAN CO.,LTD / 59202
2012 () , 2013 () , 2014 () , 2015 ()
82-2-3014-2000 / www.tym.co.kr
THIS TRACTOR HAS AN ENGINE THAT MEETS U.S. EPA EMISSION STANDARDS UNDER 40 CFR 1039.625 and CALIFORNIA EMISSION STANDARDS UNDER 13 CFR 2423(G) 1913-601-100-0

32 **WARNING**
1200-910-003-0

33 **WARNING**
1200-910-003-0

34 **WARNING**
1200-910-003-0

35 **WARNING**
1200-910-003-0

36 **TONG YANG MOOL SAN**
SERIAL NUMBER TYPE
1200 APPROVAL NO.
Model

37 **WARNING**
1200-910-003-0

38 **WARNING**
1200-910-003-0

39 **WARNING**
1200-910-003-0

40 **TONGYANGMOOLSAN CO.,LTD**
TYPE: T-265
e13
00073 NS
T : 3.0 tonnes
S : 300 kg
1200-904-003-0

41 **TYM**

T234-E-903

NOTE

